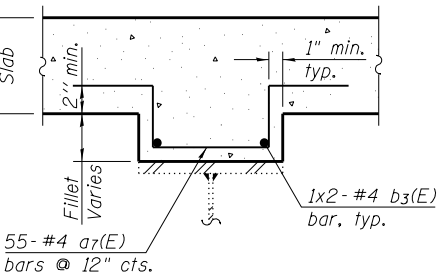


PLAN

REBARS AT SCUPPERS

Note:
See sheet S3 and S14 of S24 for drainage scupper details.
Embed drainage scupper 3/4" into the front face of the parapet. Notch parapet to allow removal of grate.
Cut longitudinal reinforcement to clear drainage scuppers.



DETAIL A

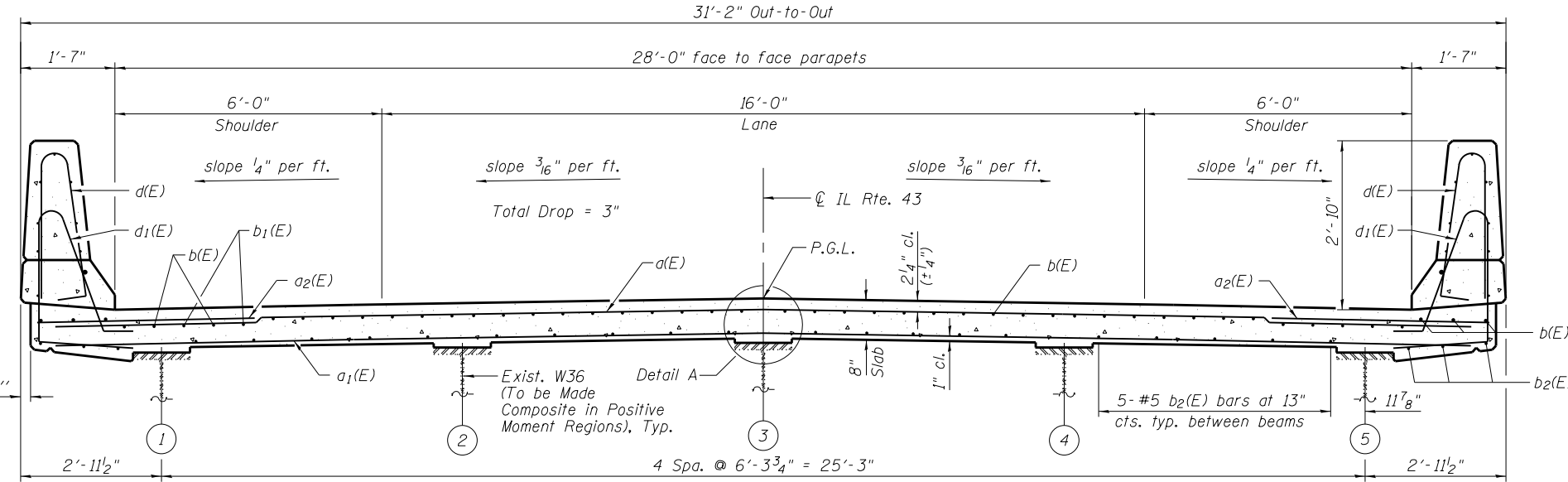
For fillets larger than 5'8". Quantities in Bill of Material are the estimated bars to be required for Beam 3 in Span 2 between 25' and 80' only. Actual quantities to be determined in field.

* Order a(E) and a1(E) bars full length. Cut to fit skew and use remainder of bars in opposite end.
** Dimension X is determined by manufacturer. A dimension of 8'8" was assumed for detailing of structure see sheet S16 of S24 for more details.

MINIMUM BAR LAP

- #4 Bar = 2'-7"
- #5 Bar = 3'-3"
- #6 Bar = 3'-10"

Notes:
See Sheet S10 of S24 for superstructure details and Bill of Material.
Bars indicated thus 20 x 3-#5 etc. indicates 20 lines of bars with 3 lengths per line.
See Sheet S10 of S24 for parapet reinforcement.



NEAR PIER

**CROSS SECTION
(Looking South)**

NEAR MIDSPAN

USER NAME =	DESIGNED - AMS	REVISED -
PLOT SCALE =	CHECKED - JMS	REVISED -
PLOT DATE =	DRAWN - DR	REVISED -
	CHECKED - AMS	REVISED -

F.A.U. RTE.	SECTION	COUNTY	TOTAL SHEETS	SHEET NO.
2706	125HB-BR	LAKE	51	26
CONTRACT NO. 60R61				
ILLINOIS FED. AID PROJECT				