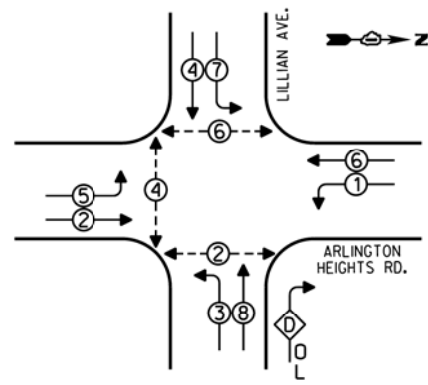


CONTROLLER SEQUENCE

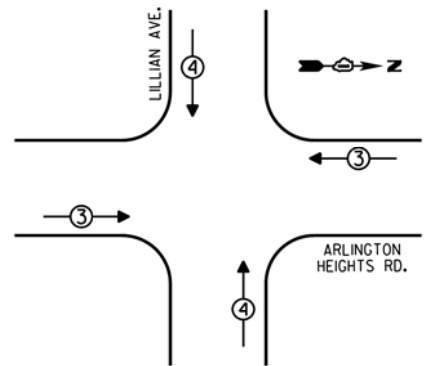


**LEGEND**  
 [Symbol] SINGLE ENTRY PHASE  
 [Symbol] DUAL ENTRY PHASE  
 [Symbol] OVERLAP  
 [Symbol] PEDESTRIAN PHASE  
 \* NUMBER REFERS TO ASSOCIATED PHASE

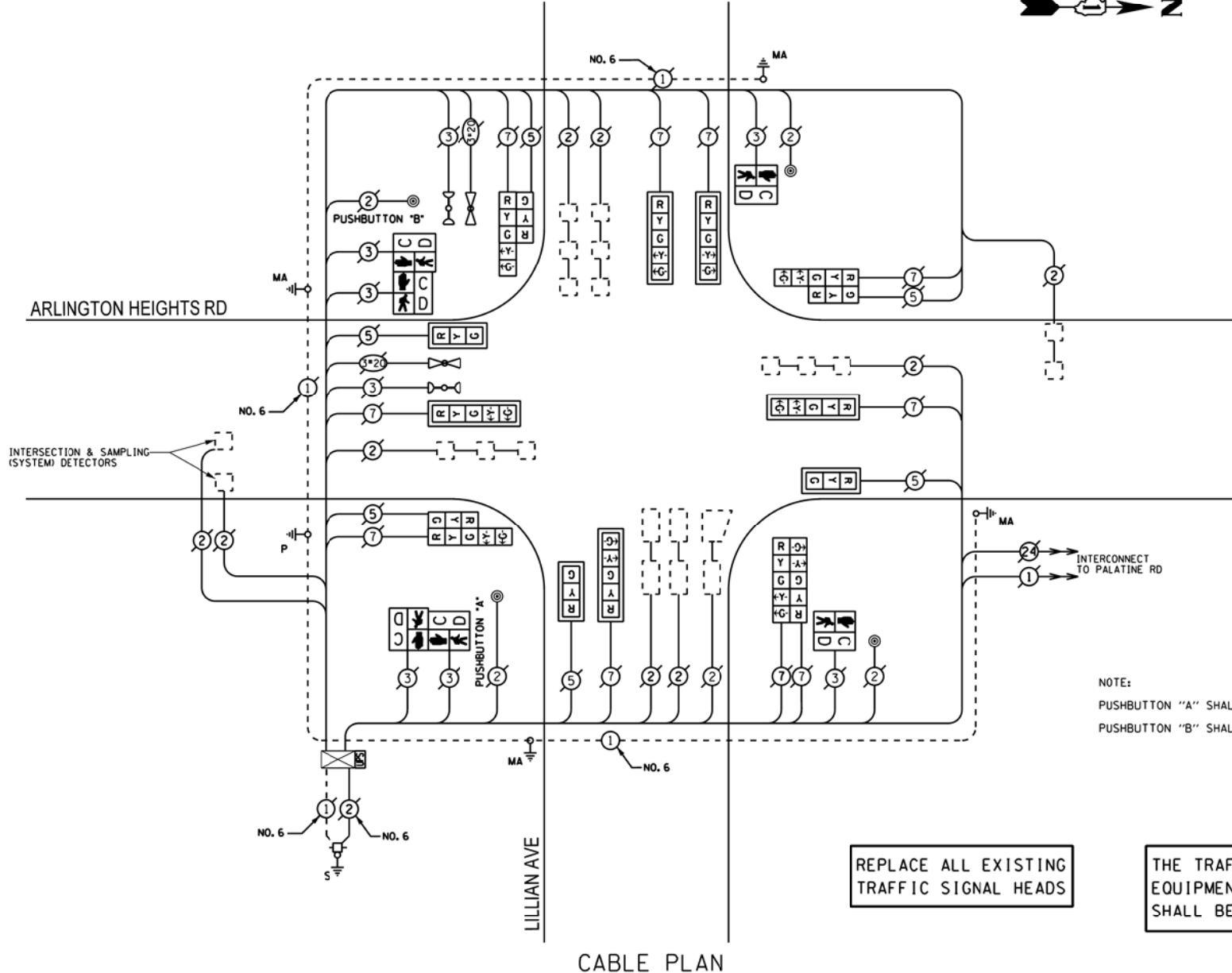
PHASE DESIGNATION DIAGRAM

OVERLAP LETTER	PERMISSIVE PHASE	PROTECTED PHASE
D	= 8	+ 1

EMERGENCY VEHICLE PREEMPTION SEQUENCE



EMERGENCY VEHICLE PREEMPTORS		
EMERGENCY VEHICLE PREEMPTOR	3	4
MOVEMENT	←→	↑↓



NOTE:  
 PUSHBUTTON "A" SHALL PLACE A CALL IN PHASES 2 AND 4  
 PUSHBUTTON "B" SHALL PLACE A CALL IN PHASES 4 AND 6

REPLACE ALL EXISTING TRAFFIC SIGNAL HEADS  
 THE TRAFFIC SIGNAL CONTROL EQUIPMENT FOR THIS PROJECT SHALL BE "ECONOLITE".

I.D.O.T. TRAFFIC SIGNAL INSTALLATION ELECTRICAL SERVICE REQUIREMENTS					TOTAL WATTAGE
TYPE	NO. OF LAMPS	INCAND	LED	% OPERATIONS	
SIGNAL (RED)	16		17	0.50	136.00
(YELLOW)	16		25	0.25	100.00
(GREEN)	16		15	0.25	60.00
ARROW	20		12	0.10	24.00
PED. SIGNAL	6		25	1.00	150.00
CONTROLLER	1		100	1.00	100.00
ILLUM. SIGN			25	0.05	
LUMINAIRE		250		0.50	
VIDEO SYSTEM		150		1.00	
FLASHER				0.50	
ENERGY COSTS TO:					TOTAL = 570.00

VILLAGE OF ARLINGTON HEIGHTS  
 33 SOUTH ARLINGTON HEIGHTS ROAD  
 ARLINGTON HEIGHTS, ILLINOIS 60005

ENERGY SUPPLY - CONTACT: DAVE SCHACHT  
 PHONE: (630) 437-2129  
 COMPANY: COMED

**REMOVE EXISTING TRAFFIC SIGNAL EQUIPMENT**

THE FOLLOWING ITEMS SHALL BE REMOVED BY THE CONTRACTOR AND SHALL BE DISPOSED OF BY THEM OUTSIDE THE RIGHT-OF-WAY AT THEIR EXPENSE. THE SALVAGE VALUE OF THE REMOVED EQUIPMENT SHALL BE REFLECTED IN THE CONTRACT BID PRICE.

QUANTITY	UNIT	DESCRIPTION
3	EACH	SIGNAL HEAD, 1-FACE, 3-SECTION
5	EACH	SIGNAL HEAD, 1-FACE, 5-SECTION
1	EACH	SIGNAL HEAD, 2-FACE, 5-SECTION
3	EACH	SIGNAL HEAD, 2-FACE, 1-3 SECTION, 1-5 SECTION
2	EACH	PEDESTRIAN SIGNAL HEAD, 1-FACE
2	EACH	PEDESTRIAN SIGNAL HEAD, 2-FACE
4	EACH	PEDESTRIAN PUSHBUTTON

**SCHEDULE OF QUANTITIES**

QUAN.	UNIT	ITEM
1	EACH	MAINTENANCE OF EXISTING TRAFFIC SIGNAL INSTALLATION
1	EACH	UNINTERRUPTIBLE POWER SUPPLY, SPECIAL
3	EACH	SIGNAL HEAD, LED, 1-FACE, 3-SECTION, MAST ARM MOUNTED
5	EACH	SIGNAL HEAD, LED, 1-FACE, 5-SECTION, MAST ARM MOUNTED
1	EACH	SIGNAL HEAD, LED, 2-FACE, 5-SECTION, BRACKET MOUNTED
3	EACH	SIGNAL HEAD, LED, 2-FACE, 1-3 SECTION, 1-5 SECTION, BRACKET MOUNTED
2	EACH	PEDESTRIAN SIGNAL HEAD, LED, 1-FACE, BRACKET MOUNTED WITH COUNTDOWN TIMER
2	EACH	PEDESTRIAN SIGNAL HEAD, LED, 2-FACE, BRACKET MOUNTED WITH COUNTDOWN TIMER
8	EACH	TRAFFIC SIGNAL BACKPLATE
4	EACH	PEDESTRIAN PUSH-BUTTON
1	EACH	MODIFY EXISTING CONTROLLER CABINET
1	EACH	REMOVE EXISTING TRAFFIC SIGNAL EQUIPMENT