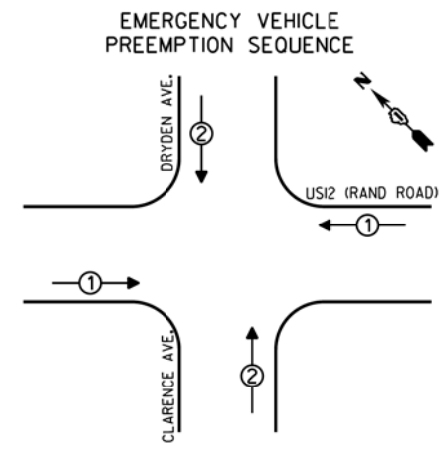


PHASE DESIGNATION DIAGRAM

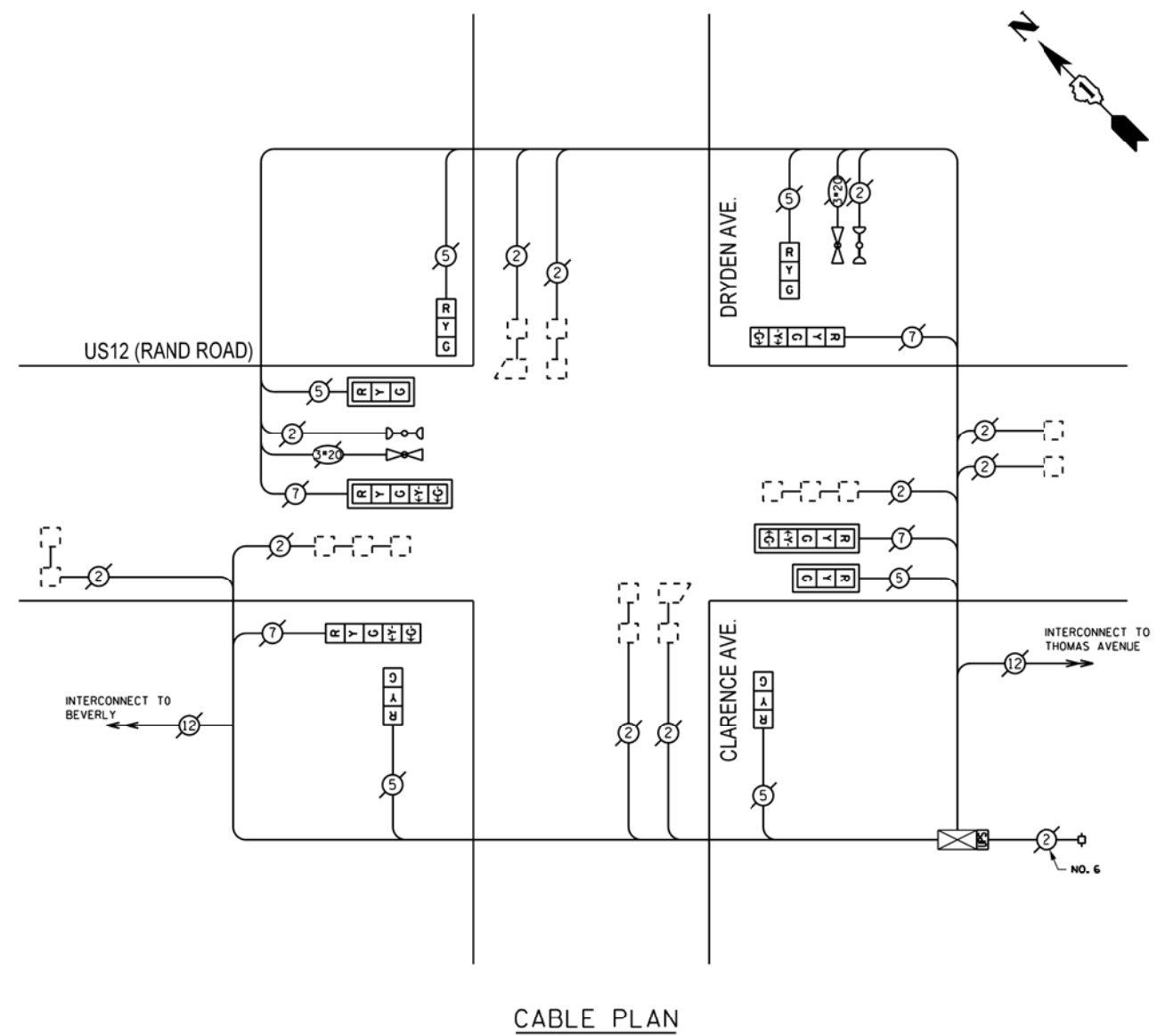


| EMERGENCY VEHICLE PREEMPTORS | | |
|------------------------------|---|---|
| EMERGENCY VEHICLE PREEMPTOR | 1 | 2 |
| MOVEMENT | ↔ | ↕ |

REPLACE ALL EXISTING TRAFFIC SIGNAL HEADS

REPLACE ALL EXISTING PAINTED YELLOW TRAFFIC SIGNAL POSTS ON EXISTING FOUNDATIONS

THE TRAFFIC SIGNAL CONTROL EQUIPMENT FOR THIS PROJECT SHALL BE "ECONOLITE".



| I.D.O.T. TRAFFIC SIGNAL INSTALLATION ELECTRICAL SERVICE REQUIREMENTS | | | | | TOTAL WATTAGE |
|--|--------------|--------|------------------|---------|---------------|
| TYPE | NO. OF LAMPS | INCAND | LED % OPERATIONS | WATTAGE | |
| SIGNAL (RED) | 10 | | 17 | 0.50 | 85.00 |
| (YELLOW) | 10 | | 25 | 0.25 | 62.50 |
| (GREEN) | 10 | | 15 | 0.25 | 37.50 |
| ARROW | 8 | | 12 | 0.10 | 9.60 |
| PED. SIGNAL | | | 25 | 1.00 | |
| CONTROLLER | 1 | | 100 | 1.00 | 100.00 |
| ILLUM. SIGN | | | 25 | 0.05 | |
| LUMINAIRE | | 250 | | 0.50 | |
| VIDEO SYSTEM | | 150 | | 1.00 | |
| FLASHER | | | | 0.50 | |
| ENERGY COSTS TO: | | | | TOTAL = | 294.60 |

VILLAGE OF ARLINGTON HEIGHTS
33 SOUTH ARLINGTON HEIGHTS ROAD
ARLINGTON HEIGHTS, ILLINOIS 60005

ENERGY SUPPLY - CONTACT: DAVE SCHACHT
PHONE: (630) 437-2129
COMPANY: COMED

REMOVE EXISTING TRAFFIC SIGNAL EQUIPMENT

THE FOLLOWING ITEMS SHALL BE REMOVED BY THE CONTRACTOR AND SHALL BE DISPOSED OF BY THEM OUTSIDE THE RIGHT-OF-WAY AT THEIR EXPENSE. THE SALVAGE VALUE OF THE REMOVED EQUIPMENT SHALL BE REFLECTED IN THE CONTRACT BID PRICE.

| QUANTITY | UNIT | DESCRIPTION |
|----------|------|--------------------------------|
| 4 | EACH | TRAFFIC SIGNAL POST |
| 6 | EACH | SIGNAL HEAD, I-FACE, 3-SECTION |
| 4 | EACH | SIGNAL HEAD, I-FACE, 5-SECTION |

SCHEDULE OF QUANTITIES

| QUAN. | UNIT | ITEM |
|-------|------|--|
| 1 | EACH | MAINTENANCE OF EXISTING TRAFFIC SIGNAL INSTALLATION |
| 1 | EACH | TRAFFIC SIGNAL POST, GALVANIZED STEEL 14 FT. |
| 2 | EACH | TRAFFIC SIGNAL POST, GALVANIZED STEEL 16 FT. |
| 1 | EACH | TRAFFIC SIGNAL POST, GALVANIZED STEEL 18 FT. |
| 2 | EACH | SIGNAL HEAD, LED, I-FACE, 3-SECTION, MAST ARM MOUNTED |
| 4 | EACH | SIGNAL HEAD, LED, I-FACE, 3-SECTION, BRACKET MOUNTED |
| 2 | EACH | SIGNAL HEAD, LED, I-FACE, 5-SECTION, BRACKET MOUNTED |
| 2 | EACH | SIGNAL HEAD, LED, I-FACE, 5-SECTION, MAST ARM MOUNTED |
| 4 | EACH | TRAFFIC SIGNAL BACKPLATE |
| 1 | EACH | RELOCATE EXISTING EMERGENCY VEHICLE PRIORITY SYSTEM, DETECTOR UNIT |
| 1 | EACH | MODIFY EXISTING CONTROLLER CABINET |
| 1 | EACH | REMOVE EXISTING TRAFFIC SIGNAL EQUIPMENT |
| 1 | EACH | UNINTERRUPTIBLE POWER SUPPLY, SPECIAL |

| | | | |
|-------------|----------------------|------------|-----------|
| FILE NAME = | USER NAME = #USER# | DESIGNED - | REVISED - |
| #FILE# | | DRAWN - | REVISED - |
| | PLOT SCALE = #SCALE# | CHECKED - | REVISED - |
| #MODELNAME# | PLOT DATE = #DATE# | DATE - | REVISED - |

**STATE OF ILLINOIS
DEPARTMENT OF TRANSPORTATION**

**SCHEDULE OF QUANTITIES, CABLE PLAN, PHASE DESIGNATION
DIAGRAM, AND EMERGENCY VEHICLE PREEMPTION SEQUENCE,
US12 (RAND ROAD) AT CLARENCE AVENUE / DRYDEN AVENUE**

SCALE: NONE SHEET OF SHEETS STA. TO STA.

| | | | | |
|---------------------------|------------|--------|--------------------|-----------|
| F.A. RTE. | SECTION | COUNTY | TOTAL SHEETS | SHEET NO. |
| VAR | 2013-005-1 | COOK | 85 | 41 |
| | | | CONTRACT NO. 60W23 | |
| ILLINOIS FED. AID PROJECT | | | | |