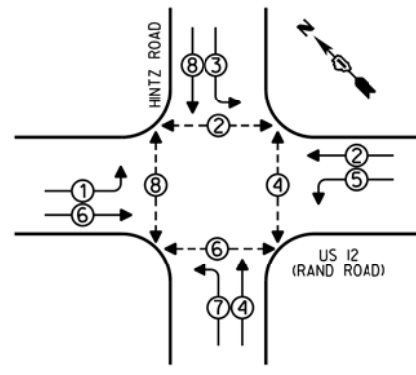


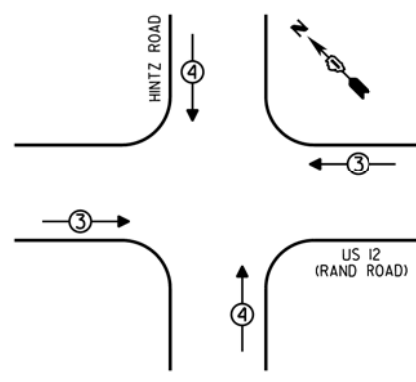
**CONTROLLER SEQUENCE**



- LEGEND**
- ☐ SINGLE ENTRY PHASE
  - ⊕ DUAL ENTRY PHASE
  - ⊙ OVERLAP
  - ⊗ PEDESTRIAN PHASE
  - NUMBER REFERS TO ASSOCIATED PHASE

**PHASE DESIGNATION DIAGRAM**

**EMERGENCY VEHICLE PREEMPTION SEQUENCE**

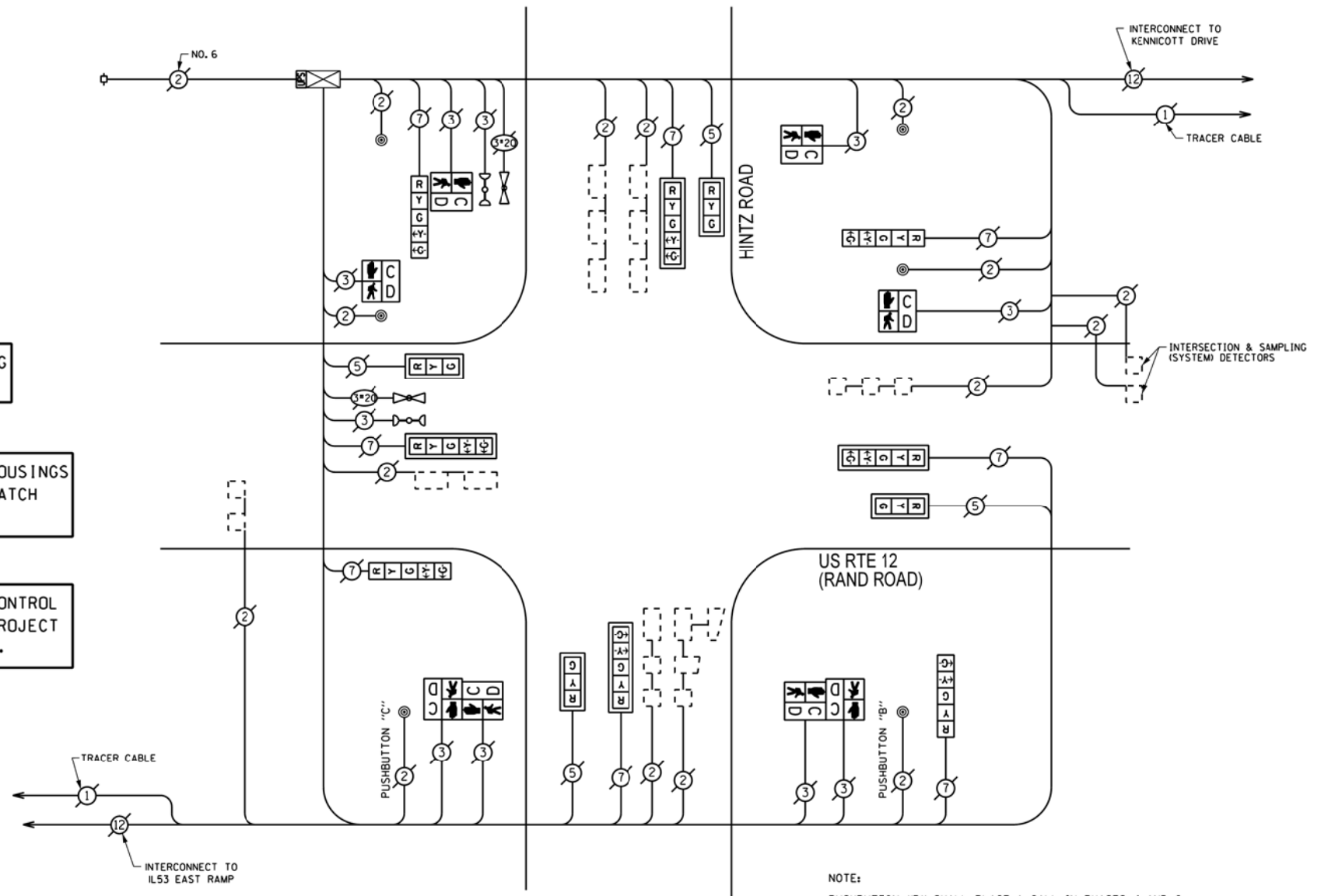


| EMERGENCY VEHICLE PREEMPTORS |   |   |
|------------------------------|---|---|
| EMERGENCY VEHICLE PREEMPTOR  | 3 | 4 |
| MOVEMENT                     | ↔ | ↕ |

RETROFIT ALL EXISTING TRAFFIC SIGNAL HEADS

THE TRAFFIC SIGNAL HOUSINGS SHALL BE YELLOW TO MATCH EXISTING EQUIPMENT.

THE TRAFFIC SIGNAL CONTROL EQUIPMENT FOR THIS PROJECT SHALL BE "ECONOLITE".



NOTE:  
 PUSHBUTTON "B" SHALL PLACE A CALL IN PHASES 4 AND 6  
 PUSHBUTTON "C" SHALL PLACE A CALL IN PHASES 6 AND 8

**CABLE PLAN**

| I.D.O.T. TRAFFIC SIGNAL INSTALLATION ELECTRICAL SERVICE REQUIREMENTS |              |        |                  |         | TOTAL WATTAGE  |
|--|--------------|--------|------------------|---------|----------------|
| TYPE   | NO. OF LAMPS | INCAND | LED % OPERATIONS | WATTAGE |                |
| SIGNAL (RED)   | 12           |        | 17               | 0.50    | 102.00         |
| (YELLOW)   | 12           |        | 25               | 0.25    | 75.00          |
| (GREEN)  | 12           |        | 15               | 0.25    | 45.00          |
| ARROW  | 16           |        | 12               | 0.10    | 19.20          |
| PED. SIGNAL  | 8            |        | 25               | 1.00    | 200.00         |
| CONTROLLER   | 1            |        | 100              | 1.00    | 100.00         |
| ILLUM. SIGN  |              |        | 25               | 0.05    |                |
| LUMINAIRE  |              | 250    |                  | 0.50    |                |
| VIDEO SYSTEM   |              | 150    |                  | 1.00    |                |
| FLASHER  |              |        |                  | 0.50    |                |
| ENERGY COSTS TO:   |              |        |                  |         | TOTAL = 541.20 |

VILLAGE OF ARLINGTON HEIGHTS  
 33 SOUTH ARLINGTON HEIGHTS ROAD  
 ARLINGTON HEIGHTS, ILLINOIS 60005

ENERGY SUPPLY - CONTACT: DAVE SCHACHT  
 PHONE: (630) 437-2129  
 COMPANY: COMED

**REMOVE EXISTING TRAFFIC SIGNAL EQUIPMENT**

THE FOLLOWING ITEMS SHALL BE REMOVED BY THE CONTRACTOR AND SHALL BE DISPOSED OF BY THEM OUTSIDE THE RIGHT-OF-WAY AT THEIR EXPENSE. THE SALVAGE VALUE OF THE REMOVED EQUIPMENT SHALL BE REFLECTED IN THE CONTRACT BID PRICE.

| QUANTITY | UNIT | DESCRIPTION                    |
|----------|------|--------------------------------|
| 4        | EACH | PEDESTRIAN SIGNAL HEAD, 1-FACE |
| 2        | EACH | PEDESTRIAN SIGNAL HEAD, 2-FACE |
| 6        | EACH | PEDESTRIAN PUSHBUTTON          |

**SCHEDULE OF QUANTITIES**

| QUAN. | UNIT | ITEM  |
|-------|------|---|
| 1     | EACH | MAINTENANCE OF EXISTING TRAFFIC SIGNAL INSTALLATION                       |
| 4     | EACH | PEDESTRIAN SIGNAL HEAD, LED, 1-FACE, BRACKET MOUNTED WITH COUNTDOWN TIMER |
| 2     | EACH | PEDESTRIAN SIGNAL HEAD, LED, 2-FACE, BRACKET MOUNTED WITH COUNTDOWN TIMER |
| 6     | EACH | PEDESTRIAN PUSH-BUTTON  |
| 1     | EACH | MODIFY EXISTING CONTROLLER CABINET  |
| 1     | EACH | REMOVE EXISTING TRAFFIC SIGNAL EQUIPMENT                                  |
| 1     | EACH | UNINTERRUPTIBLE POWER SUPPLY, SPECIAL                                     |
| 4     | EACH | SIGNAL HEAD, LED, 1-FACE, 3-SECTION, MAST ARM MOUNTED, RETROFIT           |
| 4     | EACH | SIGNAL HEAD, LED, 1-FACE, 5-SECTION, MAST ARM MOUNTED, RETROFIT           |
| 4     | EACH | SIGNAL HEAD, LED, 1-FACE, 5-SECTION, BRACKET MOUNTED, RETROFIT            |

|             |                      |            |           |
|-------------|----------------------|------------|-----------|
| FILE NAME = | USER NAME = #USER#   | DESIGNED - | REVISED - |
| #FILE#      |                      | DRAWN -    | REVISED - |
|             | PLOT SCALE = #SCALE# | CHECKED -  | REVISED - |
| #MODELNAME# | PLOT DATE = #DATE#   | DATE -     | REVISED - |

**STATE OF ILLINOIS  
 DEPARTMENT OF TRANSPORTATION**

**SCHEDULE OF QUANTITIES, CABLE PLAN, PHASE DESIGNATION  
 DIAGRAM, AND EMERGENCY VEHICLE PREEMPTION SEQUENCE,  
 US12 (RAND ROAD) AT HINTZ ROAD**

SCALE: NONE SHEET OF SHEETS STA. TO STA.

|                           |            |        |                    |           |
|---------------------------|------------|--------|--------------------|-----------|
| F.A. RTE.                 | SECTION    | COUNTY | TOTAL SHEETS       | SHEET NO. |
| VAR                       | 2013-005-1 | COOK   | 85                 | 43        |
|                           |            |        | CONTRACT NO. 60W23 |           |
| ILLINOIS FED. AID PROJECT |            |        |                    |           |