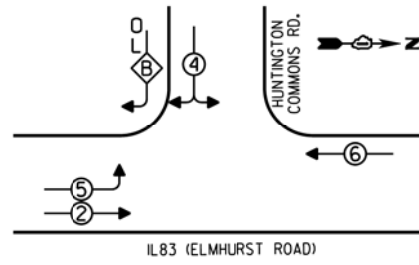


CONTROLLER SEQUENCE

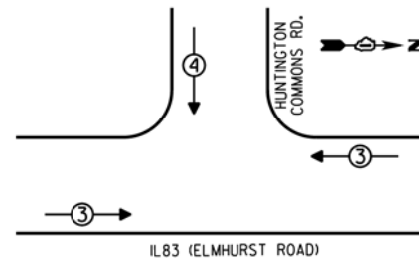


- LEGEND**
- |— SINGLE ENTRY PHASE
  - |—|— DUAL ENTRY PHASE
  - |—|—|— OVERLAP
  - |—|—|— PEDESTRIAN PHASE
  - NUMBER REFERS TO ASSOCIATED PHASE

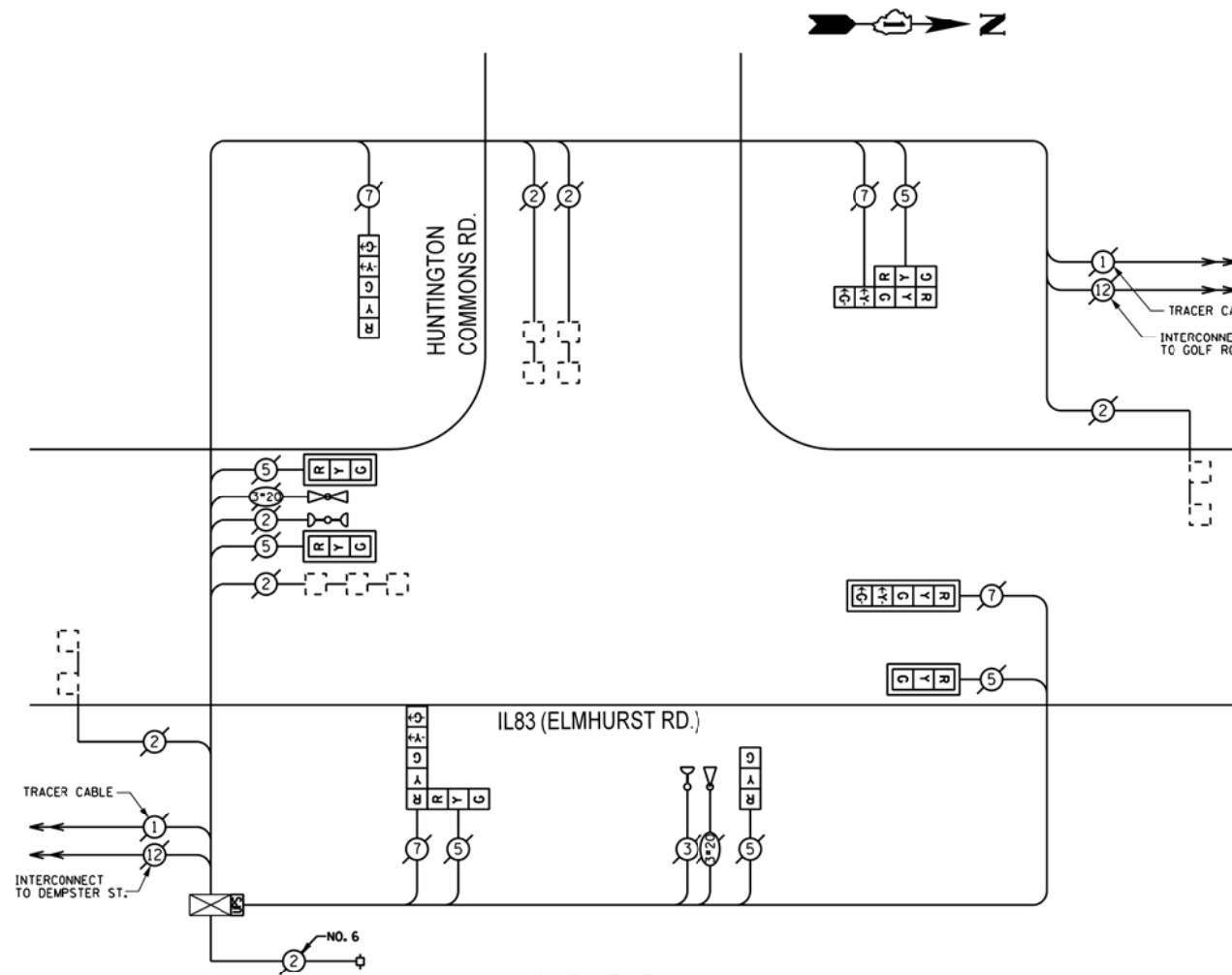
PHASE DESIGNATION DIAGRAM

OVERLAP LETTER	PERMISSIVE PHASE	PROTECTED PHASE
B	4	5

EMERGENCY VEHICLE PREEMPTION SEQUENCE



EMERGENCY VEHICLE PREEMPTORS		
EMERGENCY VEHICLE PREEMPTOR	3	4
MOVEMENT	↔	↕



CABLE PLAN

REPLACE ALL EXISTING TRAFFIC SIGNAL HEADS

REPLACE ALL EXISTING PAINTED YELLOW TRAFFIC SIGNAL POSTS ON EXISTING FOUNDATIONS

THE TRAFFIC SIGNAL CONTROL EQUIPMENT FOR THIS PROJECT SHALL BE "ECONOLITE".

I.D.O.T. TRAFFIC SIGNAL INSTALLATION ELECTRICAL SERVICE REQUIREMENTS					TOTAL WATTAGE
TYPE	NO. OF LAMPS	INCAND	LED	% OPERATIONS	
SIGNAL (RED)	10		17	0.50	85.00
(YELLOW)	10		25	0.25	62.50
(GREEN)	10		15	0.25	37.50
ARROW	8		12	0.10	9.60
PED. SIGNAL			25	1.00	
CONTROLLER	1		100	1.00	100.00
ILLUM. SIGN			25	0.05	
LUMINAIRE		250		0.50	
VIDEO SYSTEM		150		1.00	
FLASHER				0.50	
ENERGY COSTS TO:					TOTAL = 294.60

VILLAGE OF MOUNT PROSPECT  
50 SOUTH EMERSON STREET  
MOUNT PROSPECT, ILLINOIS 60056

ENERGY SUPPLY - CONTACT: DAVE SCHACHT  
PHONE: (630) 437-2129  
COMPANY: COMED

REMOVE EXISTING TRAFFIC SIGNAL EQUIPMENT

THE FOLLOWING ITEMS SHALL BE REMOVED BY THE CONTRACTOR AND SHALL BE DISPOSED OF BY THEM OUTSIDE THE RIGHT-OF-WAY AT THEIR EXPENSE. THE SALVAGE VALUE OF THE REMOVED EQUIPMENT SHALL BE REFLECTED IN THE CONTRACT BID PRICE.

QUANTITY	UNIT	DESCRIPTION
4	EACH	TRAFFIC SIGNAL POST
4	EACH	SIGNAL HEAD, I-FACE, 3-SECTION
2	EACH	SIGNAL HEAD, I-FACE, 5-SECTION
2	EACH	SIGNAL HEAD, 2-FACE, I-3 SECTION, I-5 SECTION

SCHEDULE OF QUANTITIES

QUAN.	UNIT	ITEM
1	EACH	MAINTENANCE OF EXISTING TRAFFIC SIGNAL INSTALLATION
1	EACH	UNINTERRUPTIBLE POWER SUPPLY, SPECIAL
3	EACH	TRAFFIC SIGNAL POST, GALVANIZED STEEL 16 FT.
1	EACH	TRAFFIC SIGNAL POST, GALVANIZED STEEL 18 FT.
3	EACH	SIGNAL HEAD, LED, I-FACE, 3-SECTION, MAST ARM MOUNTED
1	EACH	SIGNAL HEAD, LED, I-FACE, 3-SECTION, BRACKET MOUNTED
1	EACH	SIGNAL HEAD, LED, I-FACE, 5-SECTION, BRACKET MOUNTED
1	EACH	SIGNAL HEAD, LED, I-FACE, 5-SECTION, MAST ARM MOUNTED
2	EACH	SIGNAL HEAD, LED, 2-FACE, I-3 SECTION, I-5 SECTION, BRACKET MOUNTED
4	EACH	TRAFFIC SIGNAL BACKPLATE
1	EACH	RELOCATE EXISTING EMERGENCY VEHICLE PRIORITY SYSTEM, DETECTOR UNIT
1	EACH	MODIFY EXISTING CONTROLLER CABINET
1	EACH	REMOVE EXISTING TRAFFIC SIGNAL EQUIPMENT