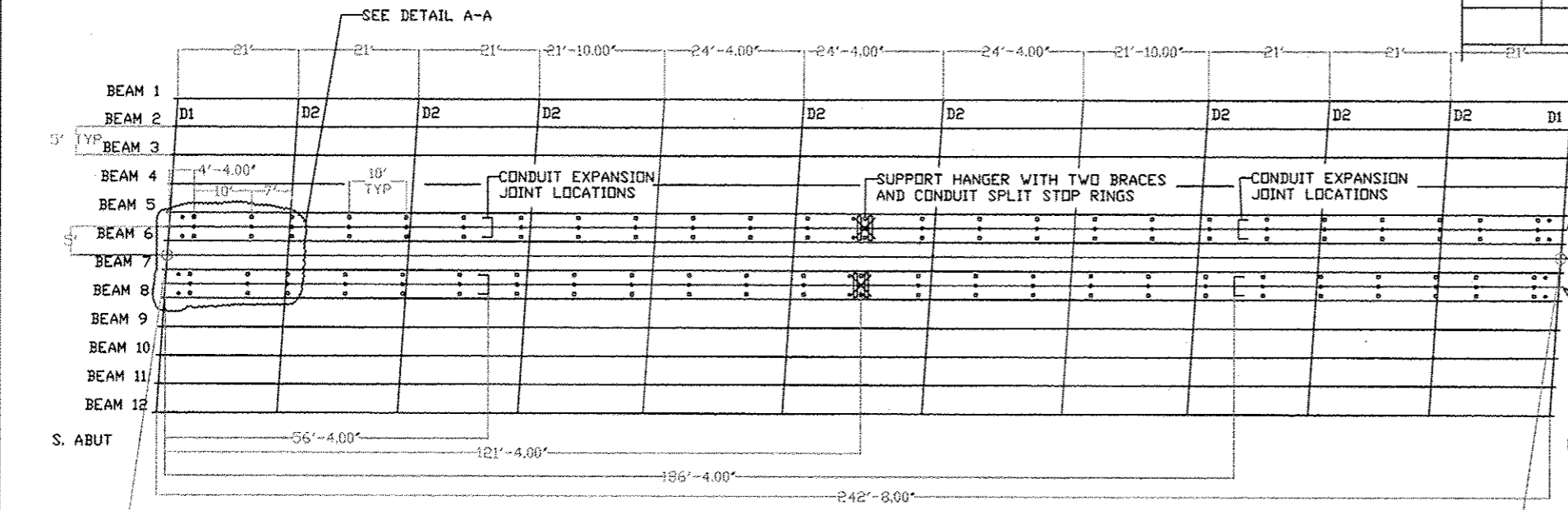


REVISIONS				
ZONE	REV	DESCRIPTION	DATE	APPROVED
	1.0	ADDENDUM 1	07/19/2013	BRIAN BB

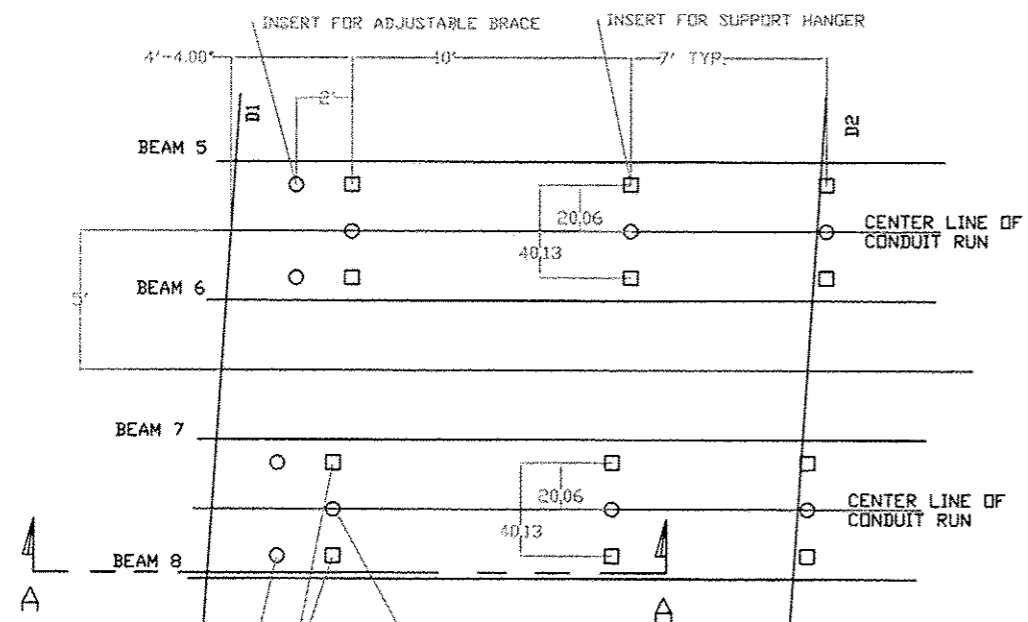


S. BRG. S. ABUT
STA. 3603+30.89

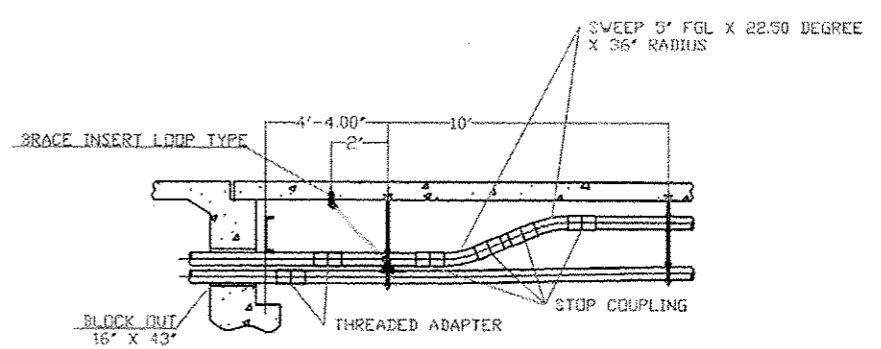
N. BRG. N. ABUT
STA. 3605+73.56

SUPPORT HANGER AND CONDUIT LAYOUT

- EXTEND FIBERGLASS CONDUIT OUT PASS APPROACH PAD
- COM ED DUCTS SOUTH BOUND
- AND PGL MORGAN STREET
- COM ED DUCTS NORTH BOUND
- EXTEND FIBERGLASS CONDUIT OUT PASS APPROACH PAD



DETAIL A-A
CONCRETE INSERT LAYOUT
SCALE 4:1



SECTION A-A

FOR INFORMATION ONLY
WORK TO BE PERFORMED BY OTHERS
WITH THE EXCEPTION OF PLACEMENT
OF INSERTS INTO SUPERSTRUCTURE

This drawing is the property of Condux International, Inc. and the information thereon is to be treated as confidential. It is not to be used, copied or disclosed to outside parties without our written consent.

Note:
ALL MEASUREMENTS ARE IN INCHES UNLESS NOTED OTHERWISE

DRAWING APPROVAL
APPROVE THIS DRAWING FOR MANUFACTURING DATE: _____

CONDUIT SUPPORT AND CONDUIT LAYOUT	CONDUX INTERNATIONAL, INC. MANKATO MN PH. 800-533-2077			
	Project: ComEd Morgan Street Bridge at I-290/Congress Parkway (circle interchange) Cook County Illinois			
WEIGHT: 0.0 LBS EA	SIZE	FSCM NO.	DWG NO.	REV
			TBA	1.0
QUOTE NO. 3985211287	SCALE 1/2	DATE: 06-06-2013	SHEET: CONDUX 2 OF 3	SHEET 92I OF 317