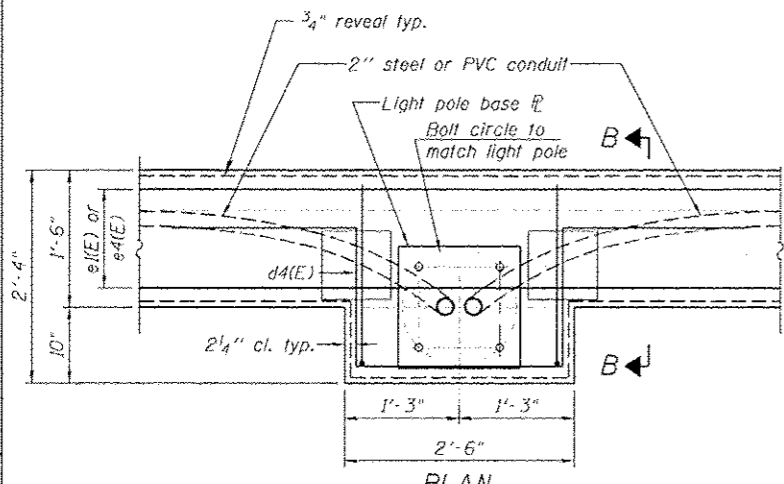
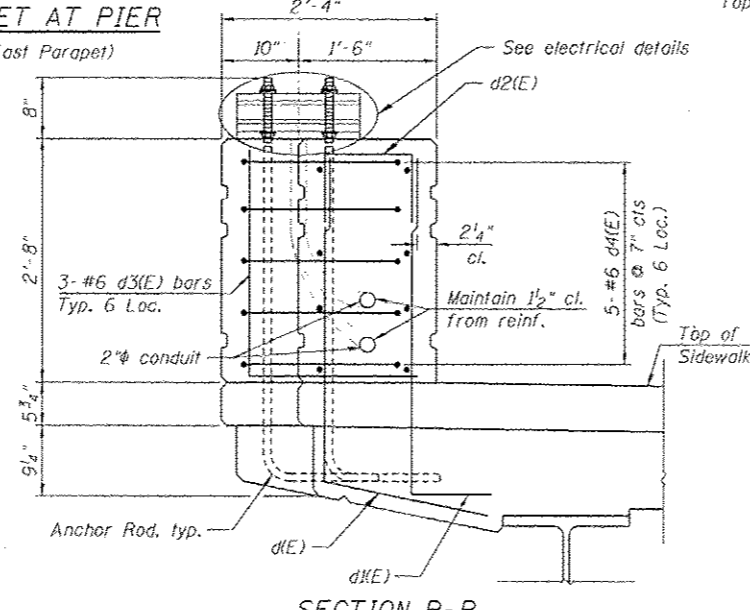


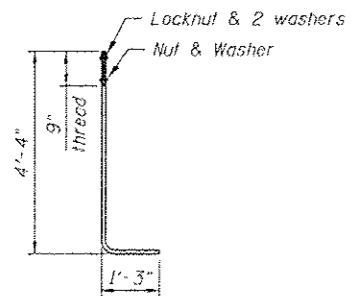
SECTION THRU WEST PARAPET AT PIER  
(Looking Up-Station at Pier typ. for East Parapet)



PLAN PARAPET DETAIL AT LIGHTPOLE



SECTION B-B PARAPET DETAIL AT LIGHTPOLE

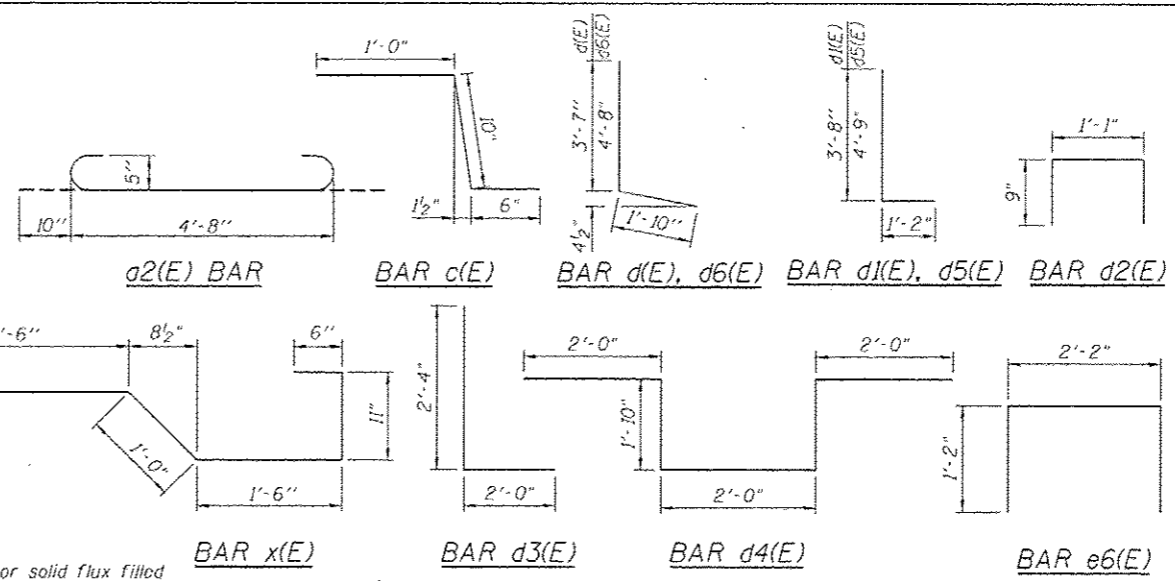


ANCHOR ROD REVEAL DETAIL

Cost of anchor rods is included with Concrete Superstructure.

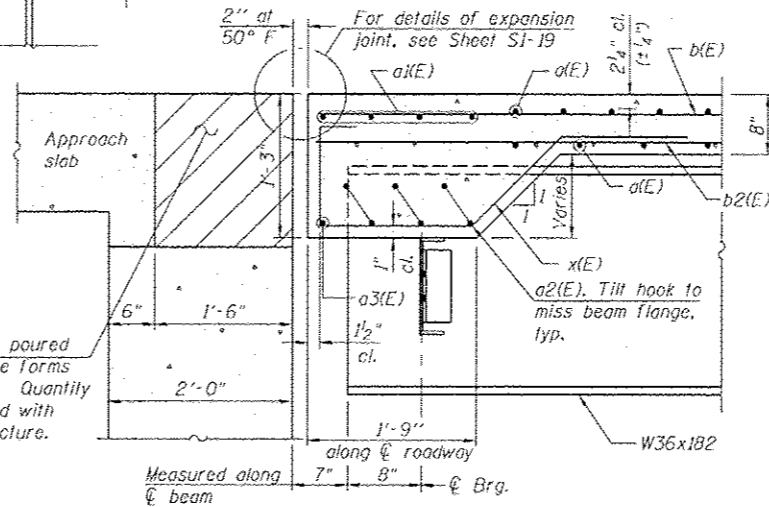
Bar	Lap
#4	2'-7"
#5	3'-3"
#6	3'-10"
#7	5'-2"
#8	6'-9"

Hatched area to be poured after superstructure forms have been removed. Quantity of concrete included with Concrete Superstructure.



SECTION A-A AT CTA ENTRANCE

Cost for preformed joint filler, steel studs and plates required for joint included with Concrete Superstructure.



SECTION THRU EXPANSION JOINT  
(Looking West, South joint shown North joint similar)

BILL OF MATERIAL

Bar	No.	Size	Length	Shape	
a1(E)	1300	#5	30'-0"	—	
a1(E)	16	#5	30'-3"	—	
a2(E)	66	#5	6'-4"	—	
a3(E)	4	#5	30'-3"	—	
a4(E)	722	#7	11'-3"	—	
b1(E)	880	#5	27'-5"	—	
b1(E)	120	#6	50'-0"	—	
b2(E)	550	#5	25'-3"	—	
c1(E)	490	#5	2'-4"	—	
c1(E)	490	#5	11'-0"	—	
d1(E)	538	#5	5'-5"	—	
d1(E)	538	#5	4'-10"	—	
d2(E)	547	#5	2'-7"	—	
d3(E)	18	#6	4'-4"	—	
d4(E)	30	#6	9'-8"	—	
d5(E)	9	#5	5'-11"	—	
d6(E)	9	#5	6'-6"	—	
e1(E)	24	#4	5'-7"	—	
e1(E)	160	#4	19'-7"	—	
e2(E)	8	#4	12'-9"	—	
e3(E)	8	#4	4'-11"	—	
e4(E)	8	#4	19'-6"	—	
e5(E)	8	#4	10'-2"	—	
e6(E)	12	#4	4'-4"	—	
x1(E)	124	#5	6'-5"	—	
Concrete Superstructure				Cu Yd	574.5
Bridge Deck Grooving				Sq Yd	980
Protective Coat				Sq Yd	1,827
Reinforcement Bars, Epoxy Coated				Pound	125,020

NOTES:

1. Reinforcement bars designated (E) shall be epoxy coated.
2. Bars noted thus 3x2-#5 indicates 3 lines of bars with 2 bars per line.
3. For parapet details, see Sheet S1-17.
4. For bar splicer detail, see Sheet S1-48.
5. For light pole location, bolt circle, and quantity of conduits attached to structure, see Electrical plans.
6. For ADA ramp locations, layout, elevations and details see Roadway plans.
7. Bars in the sidewalk interfering with the ADA Ramp Construction shall be bent and/or cut to fit based on the sidewalk depth in these areas.
8. Space e1(E) thru e5(E) bars to miss fence and railing anchor bolts.
9. Cost of expansion joint shall be included with Concrete Superstructure.

FILE PATH: C:\Users\jwilliams\OneDrive\Desktop\Projects\For The Day\0161709-016-DeckXSDetails.dgn

**HBM**  
ENGINEERING GROUP, LLC  
CONSULTING & DESIGN  
INSPECTION & TESTING  
RESEARCH & TESTING

4415 WEST HARRISON ST.  
SUITE 231  
MILLSBRO, IL 60167  
PHONE: 1708 236-0500  
FAX: 1708 236-0901

0161709-016-DeckXSDetails.dgn  
USER NAME: williams  
PLOT SCALE: 1/8"=1'-0"  
PLOT DATE: 6/17/2013

DESIGNED - MI, WM  
DRAWN - WM, JJS  
CHECKED - MAI, MI, JJS  
DATE - 6/17/2013

REVISOR - MI, LAB  
REVISION - 07/19/2013  
STATE OF ILLINOIS  
DEPARTMENT OF TRANSPORTATION

DECK CROSS SECTIONS, DETAILS AND BILL OF MATERIAL  
STRUCTURE NO. 016-1709  
SCALE: SHEET S1-18 OF 51 SHEETS STA. TO STA.  
F.A.I. R.T.E. SECTION COUNTY TOTAL SHEETS NO.  
90/9A/290 2013-007R COOK 317 162  
CONTRACT NO. 60W25  
ILLINOIS FED. AID PROJECT