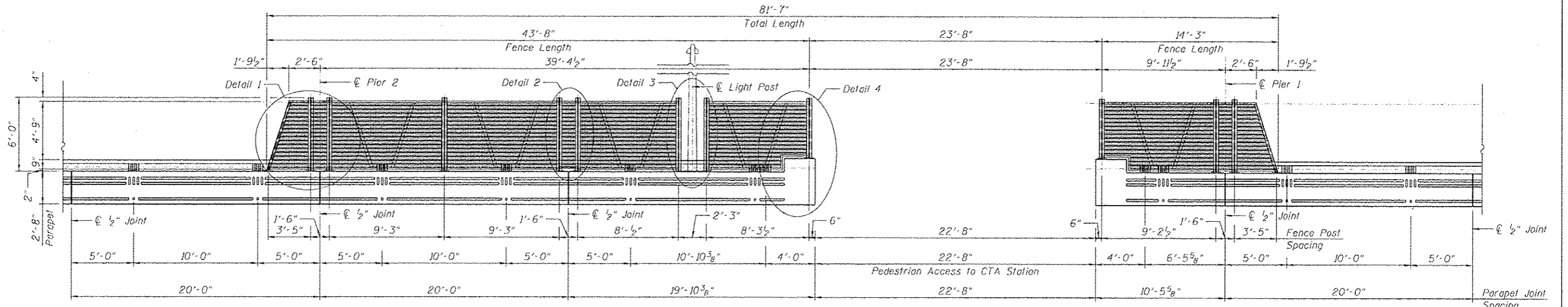
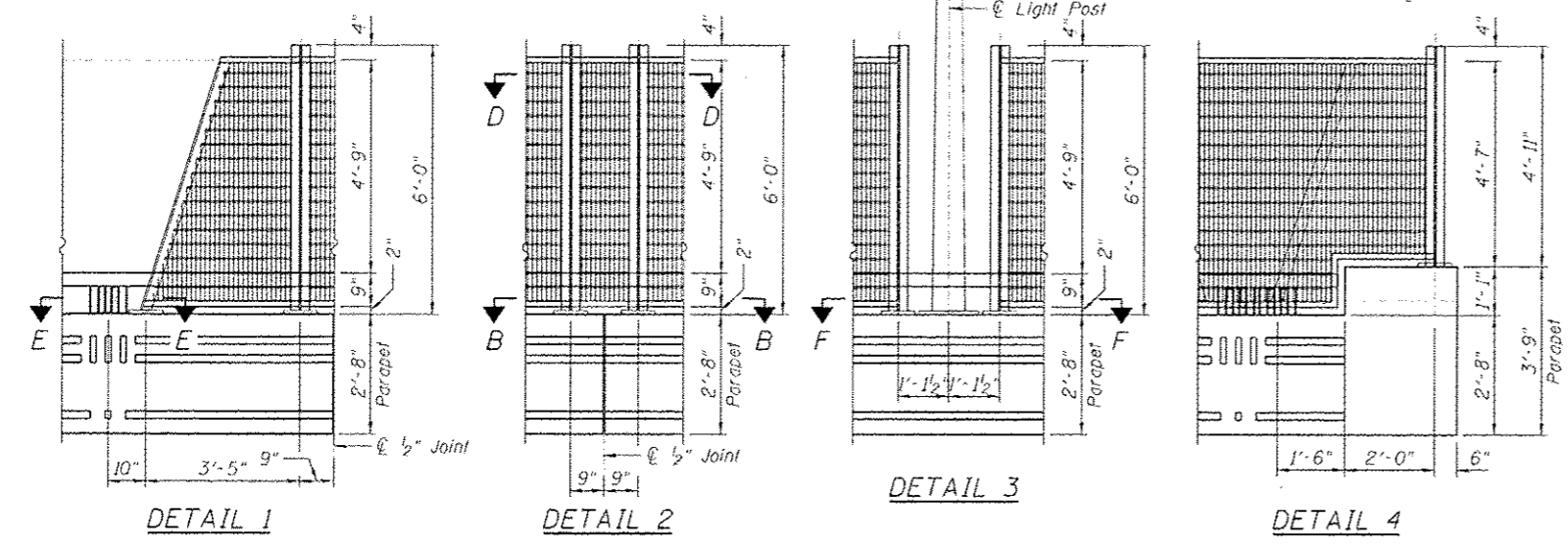


INSIDE ELEVATION OF WEST FENCE
(Looking West)



INSIDE ELEVATION OF EAST FENCE
(Looking East)



FILE PATH: C:\Users\N111\workspace\Drawings\Prints for The Dept\161723\60W25-S21a-FenceElev.dgn

HBM ENGINEERING GROUP, LLC CONSULTING & DESIGN CORPORATION & TESTING RESEARCH & TESTING 4415 WEST HARRISON ST. SUITE 231 MELROSE, IL 60162 PHONE: (708) 236-0300 FAX: (708) 236-0301	8161723-60W25-S21a-FenceElev.dgn USER NAME: willmardavis PLOT SCALE: 4x8.0000 1" = 1'-0" PLOT DATE: 7/15/2013	DESIGNED - MR. LAB DRAWN - MR. LAB CHECKED - MAI, MI DATE - 6/17/2013	REVISIONS 07/19/2013 MI, LAB REVISIONS REVISIONS REVISIONS	STATE OF ILLINOIS DEPARTMENT OF TRANSPORTATION	BRIDGE FENCE RAILING (SPECIAL) ELEVATIONS STRUCTURE NO. 016-1709	F.A.I. R.T.E. 90/94/290	SECTION 2013-00TR	COUNTY COOK	TOTAL SHEETS 317	SHEET NO. J66	CONTRACT NO. 60W25
	SCALE: SHEET 51-21 OF 51 SHEETS STA. TO STA.		ILLINOIS FED. AID PROJECT								