

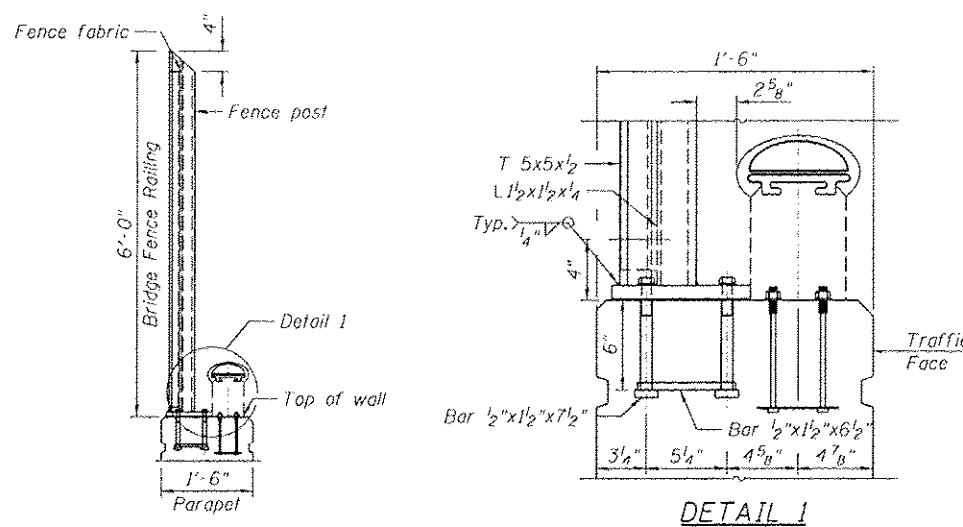
BILL OF MATERIAL

Item	Unit	Total
Bridge Fence Railing (Special)	FOOT	140

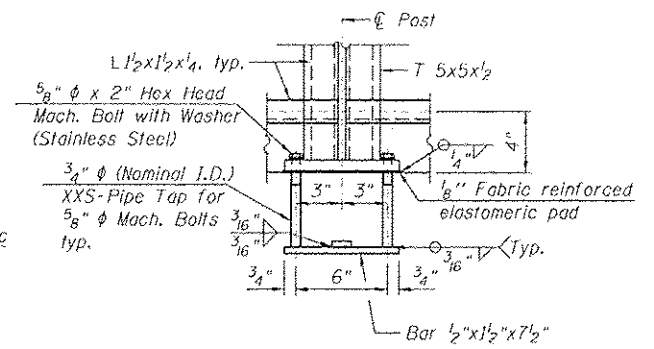
Note: All steel rail elements shall be galvanized according to Article 509.05 of the Standard Specifications.

NOTES:

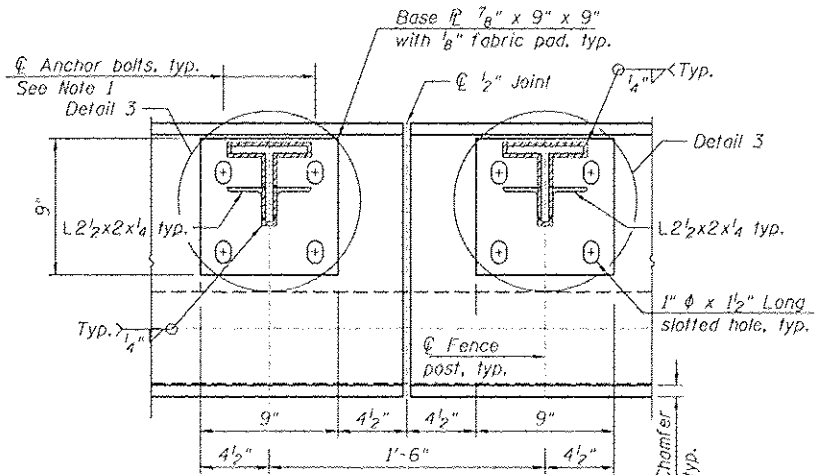
- In lieu of the cast-in-place anchor device shown, the Contractor has the option of drilling and setting 5/8" φ anchor rods according to Article 509.06 of the Standard Specifications. Embedment shall be according to the manufacturer's specifications.
 - Provide bolted connection with oversized slotted hole to allow for erection tolerance of mesh panel and movement at control joints. Spacing between posts may not be the same at bottom and top of frame due to a slight vertical curve at parapet top surface.
- * Fence panels including fence mesh, angles, bracing, bolts and welds to be designed by fence manufacturer. See "Bridge Fence Railing (Special)" Special Provision.



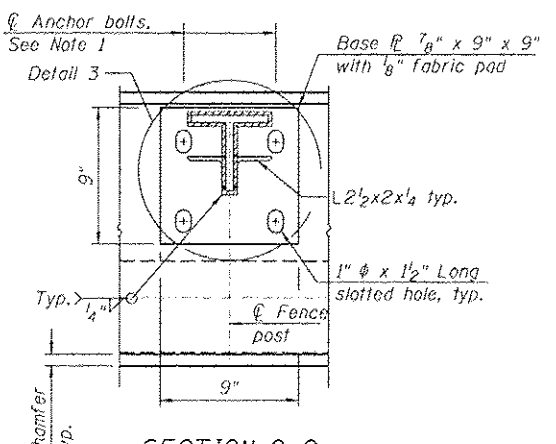
SECTION A-A



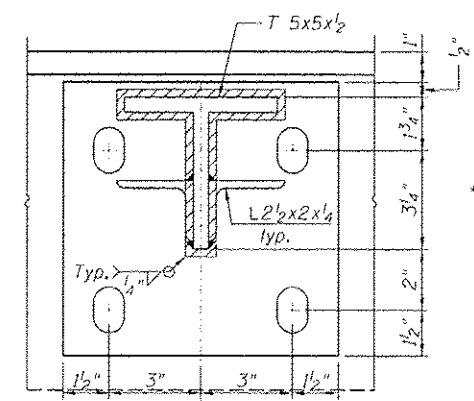
DETAIL 2 ANCHOR BOLT DETAILS



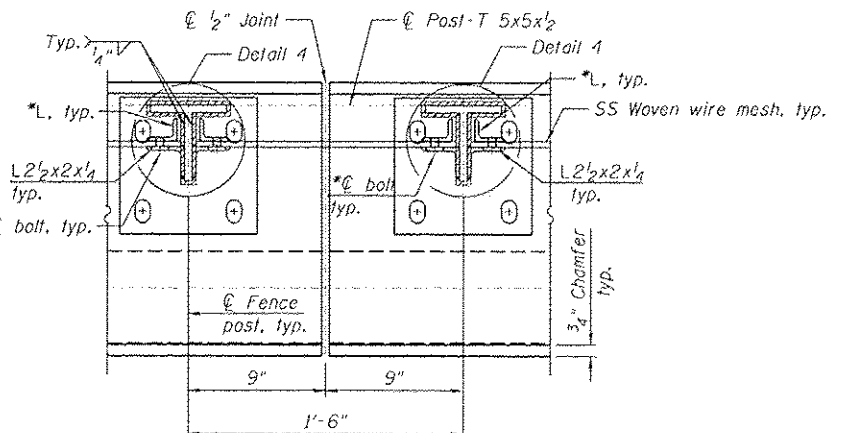
SECTION B-B BASE PLATE PLAN



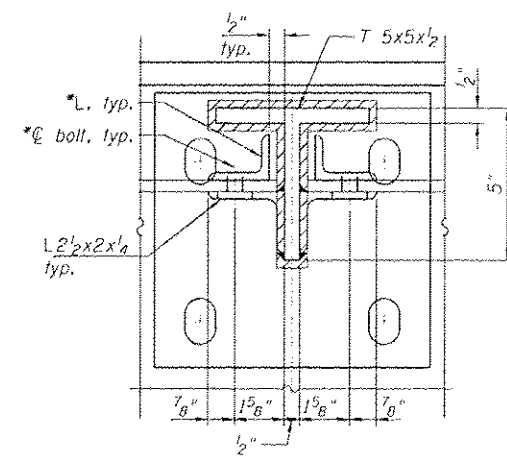
SECTION C-C BASE PLATE PLAN



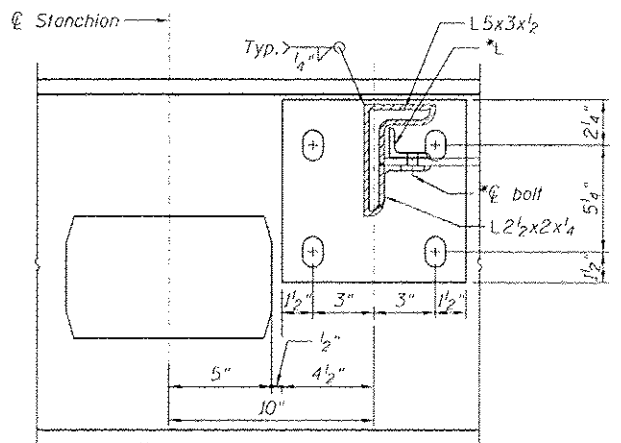
DETAIL 3



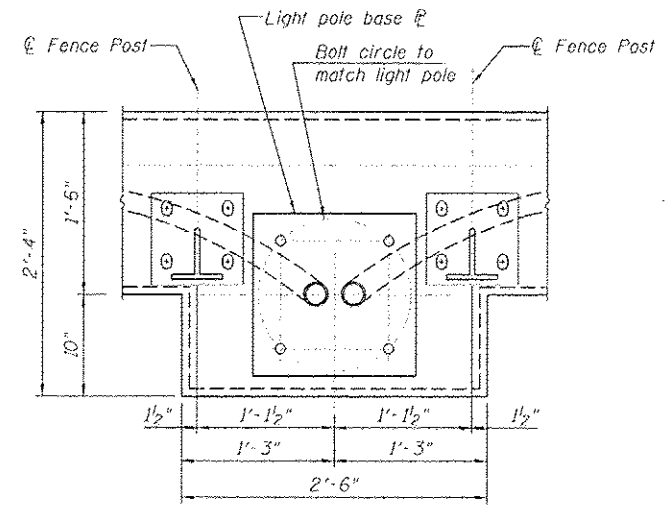
SECTION D-D



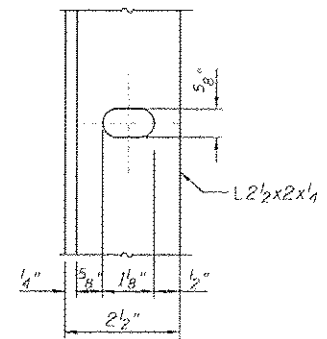
DETAIL 4



SECTION E-E



SECTION F-F



SLOTTED HOLE

**Number, spacing and size of slotted holes to be verified and designed by fence manufacturer. See "Bridge Fence Railing (Special)" Special Provision.

FILE PATH: C:\Users\m\OneDrive\Desktop\Prints For The Day\0161709-60W25-0218-FenceDetails.dgn

HBM
ENGINEERING GROUP, LLC
COMPUTING & DESIGN
INSPECTION & TESTING
RESEARCH & TESTING

4415 WEST HARRISON ST.
SUITE 231
MILLSTON, IL 60162
PHONE: (708) 236-0900
FAX: (708) 236-0901

0161709-60W25-0218-FenceDetails.dgn
USER NAME: will.manderson
PLOT SCALE: 1/64800 1/1 in.
PLOT DATE: 7/15/2013

DESIGNED - MR. LAB
DRAWN - MR. LAB
CHECKED - MAI, MI
DATE - 6/17/2013

REVISED -
REVISED -
REVISED -
REVISED -

Added sheet
07/19/2013 MI, LAP

**STATE OF ILLINOIS
DEPARTMENT OF TRANSPORTATION**

**BRIDGE FENCE RAILING (SPECIAL) DETAILS
STRUCTURE NO. 016-1709**

SCALE: SHEET S1-21A OF 51 SHEETS, STA. TO STA.

F.A.I. RTE.	SECTION	COUNTY	TOTAL SHEETS	SHEET NO.
90/94/290	2013-00TR	COOK	317	165A
CONTRACT NO. 60W25			ILLINOIS FED. AID PROJECT	