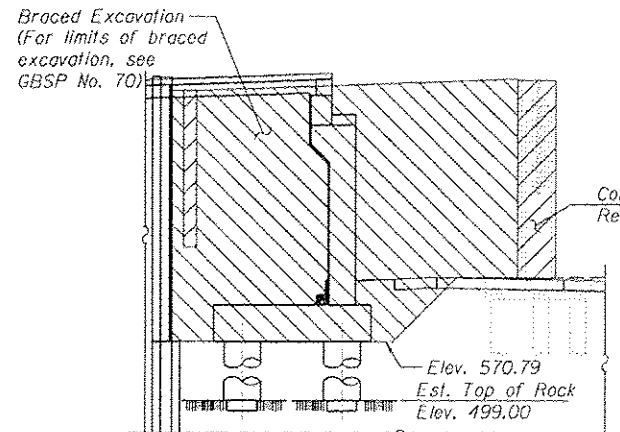


WORKING POINT TABLE
(Stations and offsets measured from proposed E.B. 1-290)

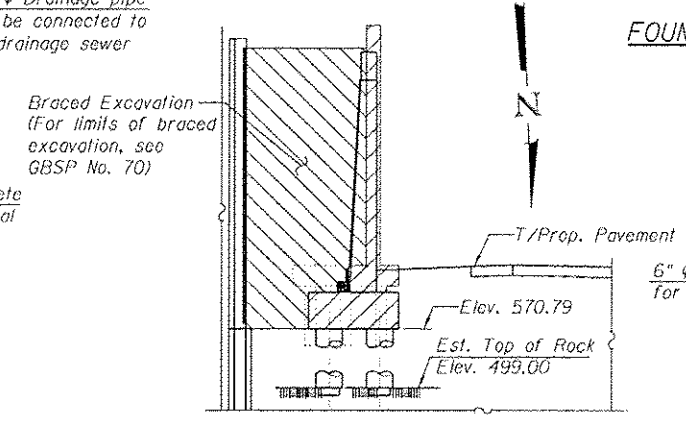
W.P.	Station	Offset
1	5139+87.52	46.16' Rt.
2	5139+95.31	51.75' Rt.
3	5139+87.89	52.18' Rt.
4	5139+81.09	46.10' Rt.
5	5139+09.95	46.47' Rt.
6	5139+07.51	57.43' Rt.
7	5139+10.71	57.20' Rt.
8	5139+20.61	46.02' Rt.

LEGEND:

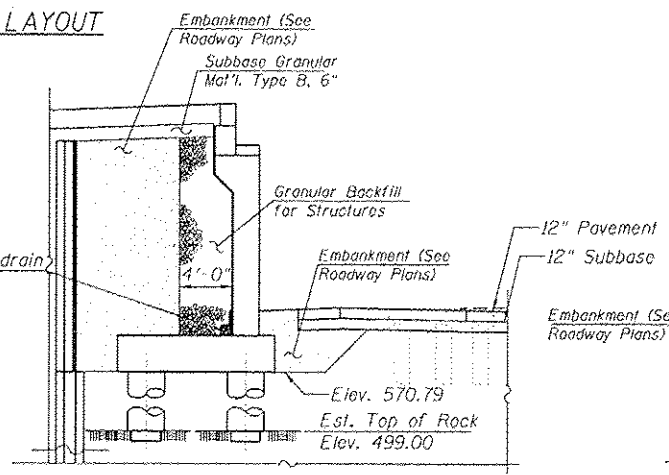
- Concrete Removal
- Braced Excavation
- Embankment
- Granular Backfill for Structures



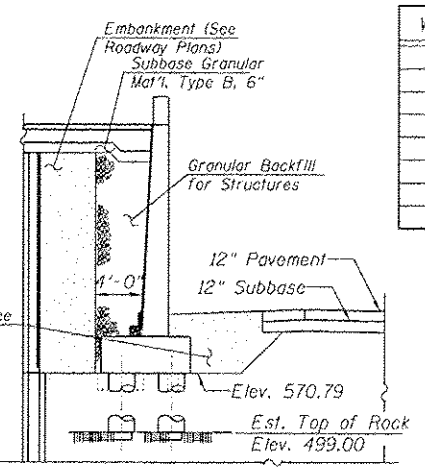
BRACED EXCAVATION - ABUTMENT



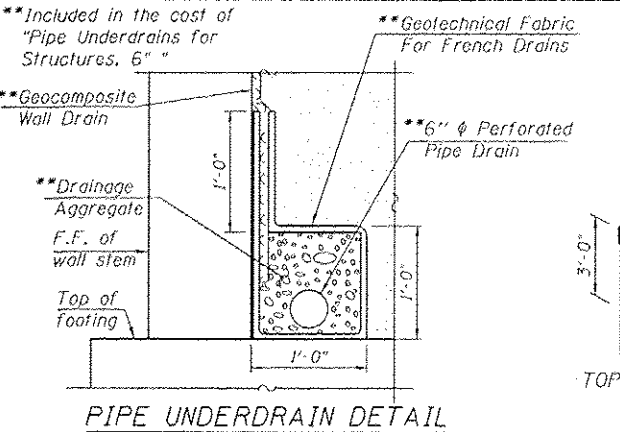
BRACED EXCAVATION - WINGWALL



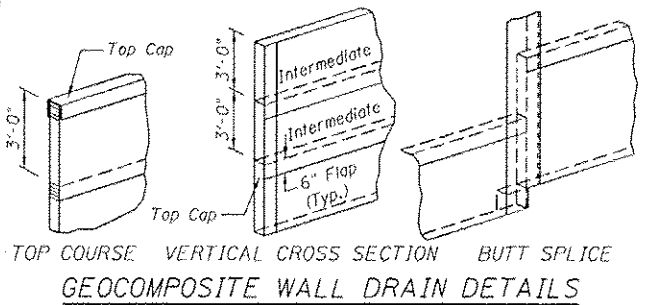
BACKFILL - ABUTMENT



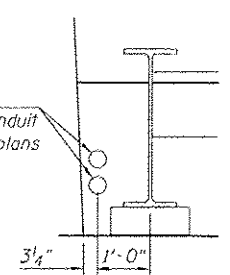
BACKFILL - WINGWALL



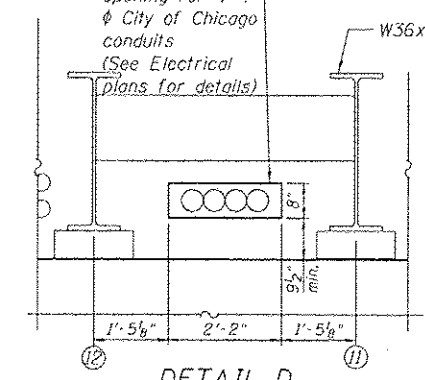
PIPE UNDERDRAIN DETAIL



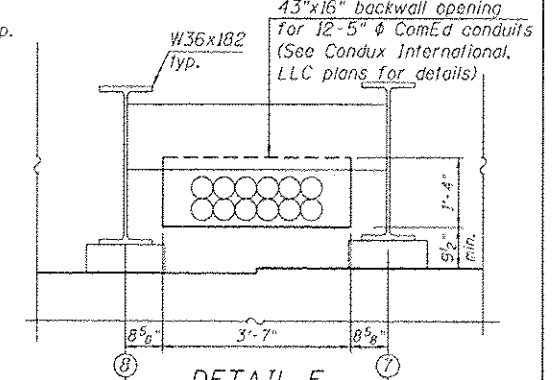
GEOCOMPOSITE WALL DRAIN DETAILS



DETAIL C
(Detail G opposite hand)



DETAIL D



DETAIL E
(Detail F opposite hand)

HBM ENGINEERING GROUP, LLC 4415 WEST HARRISON ST. SUITE 221 HILLSDALE, IL 60162 (708) 236-0900 (708) 236-0901	PROJECT: 0161789-G6W25-S2B-SouthAbutment2.dwg USER NAME: wjllardous PLOT SCALE: 3/8" = 1'-0" PLOT DATE: 7/17/2013	DESIGNED: MI, MAF DRAWN: LAB, MAF CHECKED: MAI, MI, JJS DATE: 6/17/2013	REVISED: 07/19/2013 MI, WM REVISED: REVISED: REVISED:
----------------------------------------------------------------------------------------------------------------------------------------	----------------------------------------------------------------------------------------------------------------------------	----------------------------------------------------------------------------------	----------------------------------------------------------------

STATE OF ILLINOIS
DEPARTMENT OF TRANSPORTATION

SOUTH ABUTMENT FOOTING PLAN AND SECTIONS
STRUCTURE NO. 016-1709

SCALE: SHEET 51-28 OF 51 SHEETS STA. TO STA.

F.A.I. R.T.E. 90/94/290	SECTION 2013-007R	COUNTY COOK	TOTAL SHEETS 317	SHEET 172
CONTRACT NO. 60W25			ILLINOIS FED. AID PROJECT	