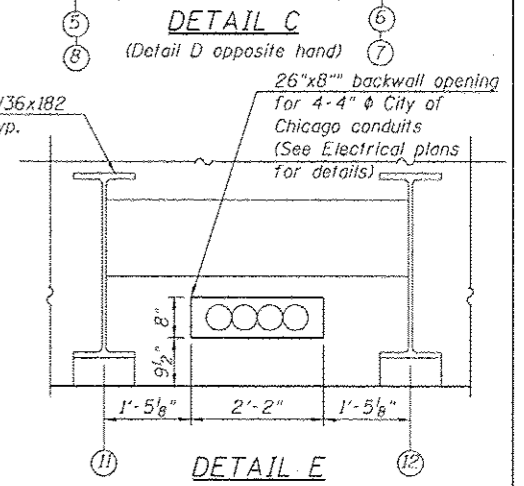
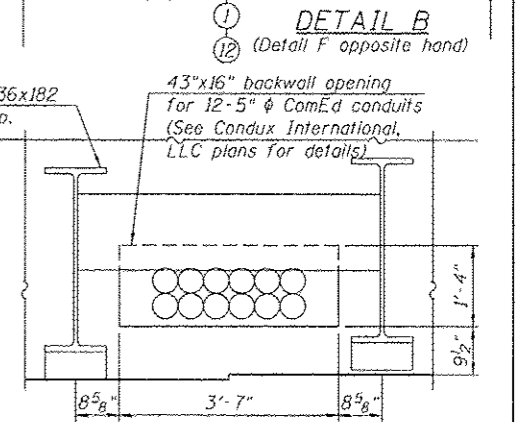
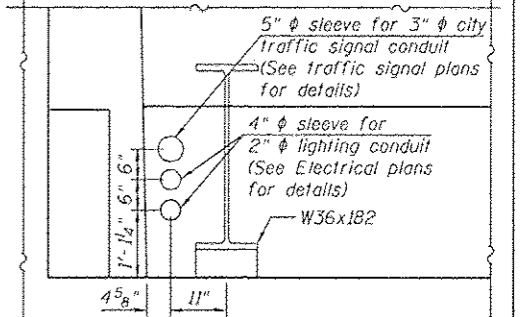


- NOTES:**
1. For Section A-A, see Sheet S1-34.
 2. For Detail A, see Sheet S1-33.
 3. For wingwall reinforcement and details, see Sheet S1-35.
 4. For anchor bolt layout plan, see Sheet S1-25.
 5. For location of ITS, lighting and City of Chicago conduits, see lighting plans. The Contractor shall coordinate the locations of ComEd conduits with the ComEd plans and ComEd Contractor.



TOP OF BACKWALL (CLOSURE POUR) ELEVATIONS

POINTS	FRONT FACE	BACK FACE
A - West Curb Line	595.13	595.07
B - Crown	595.48	595.42
C - E. Edge of Abut.	595.08	595.02

HBM ENGINEERING GROUP, LLC 4415 WEST HARRISON ST. SUITE 231 HILLSDALE, IL 60162 PHONE: (708) 236-0900 FAX: (708) 236-0901	BIE1709-68W25-S32-NorthAbut.dgn USER NAME: williamdous PLOT SCALE: 3/8" = 1'-0" PLOT DATE: 7/15/2013	DESIGNED - MI, MAF DRAWN - LAB, MAF CHECKED - MAI, MI, WM DATE - 6/17/2013	REVISED - 07/19/2013 MI, JJS REVISED - REVISED - REVISED -	STATE OF ILLINOIS DEPARTMENT OF TRANSPORTATION	NORTH ABUTMENT PLAN AND ELEVATION STRUCTURE NO. 016-1709	F.A.I. RTEL: 90/94/290 SECTION: 2013-007R COUNTY: COOK TOTAL SHEETS: 317 SHEET NO.: 176 CONTRACT NO.: 60W25	
	SCALE: SHEET S1-32 OF S1 SHEETS STA. TO STA.				ILLINOIS/FED. AID PROJECT		
	Entire sheet revised						
	FILE PATH: C:\Users\williamdous\Desktop\Drawings\016-1709-68W25-S32-NorthAbut.dgn						