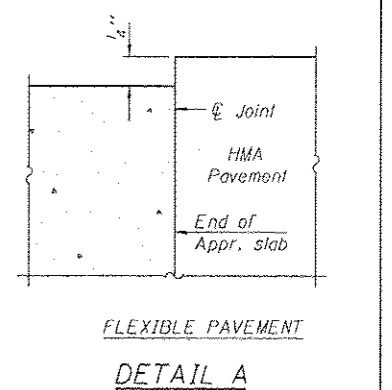
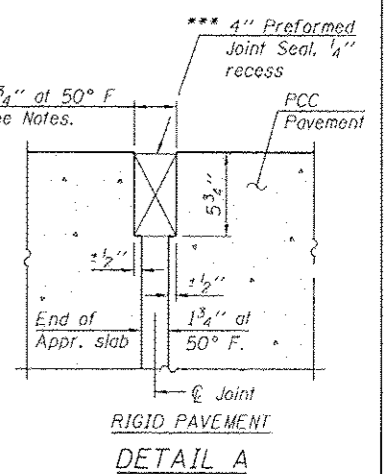
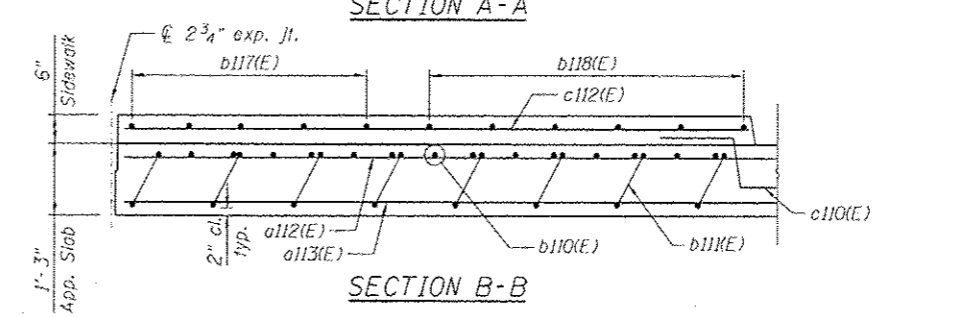
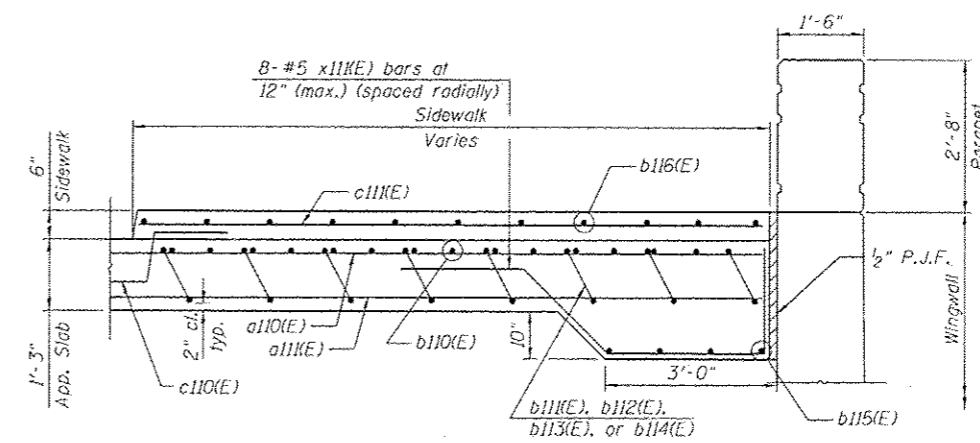
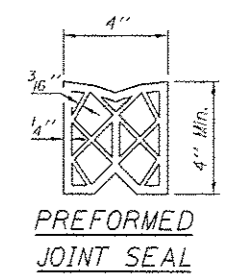
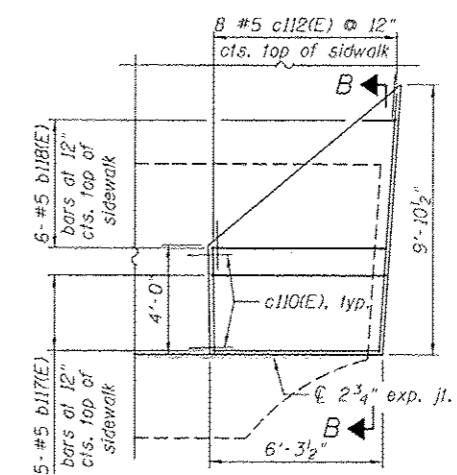
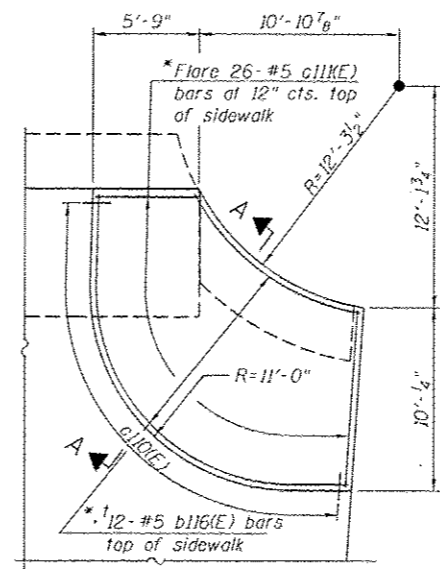


- NOTES:**
1. See Sheet SI-44 for Sections C-C and D-D.
 2. a110(E), a111(E), a112(E), and a113(E) bar spacings measured along ϕ Rdwy.
 3. For ADA ramp locations, layout, elevations, details and top of sidewalk elevations, see Roadway plans.
 4. Provide 1/2" P.J.F. along the entire length of the west and east edges of the approach slab sidewalk adjacent to the wall parapet. See Section C-C.
 5. Bars in the sidewalk interfering with the ADA Ramp Construction shall be bent and/or cut to fit based on the sidewalk depth in these areas.
 6. For ADA ramp working points, see Sheet SI-14 for details.
- * Order bars at full length and cut in field to fit
 - ** Till bars as required to maintain clearance.
 - *** Cost included with Concrete Superstructure.
 - † Bend bars in field to fit curvature



C:\Users\m11\OneDrive\Desktop\Projects For The Day\0161724-66x25-543-SouthApproachSlab.dgn

HBM ENGINEERING GROUP, LLC CONSULTING & DESIGN INSPECTION & TESTING RESEARCH & TESTING 4415 WEST HARRISON ST. SUITE 231 MILWAUKEE, IL 60167 PHONE: (708) 236-0900 FAX: (708) 236-0901	0161724-66x25-543-SouthApproachSlab.dgn USER NAME: will.mordaus PLOT SCALE: 5/8"=1'-0" PLOT DATE: 7/15/2013	DESIGNED: MI, H-1, MWM DRAWN: HK CHECKED: MAI, MI, MWM DATE: 6/17/2013	REVISED: 07/19/2013 MI, WM REVISED: REVISED: REVISED:
	Entire sheet revised		
	STATE OF ILLINOIS DEPARTMENT OF TRANSPORTATION		
	SOUTH APPROACH SLAB PLAN STRUCTURE NO. 016-1709		
	SCALE: SHEET SI-43 OF 51 SHEETS STA. TO STA.		

F.A.I. RTE. 90/94/290	SECTION 2013-007R	COUNTY COOK	TOTAL SHEETS 317	SHEET NO. 187
CONTRACT NO. 60W25				
ILLINOIS FED. AID PROJECT				