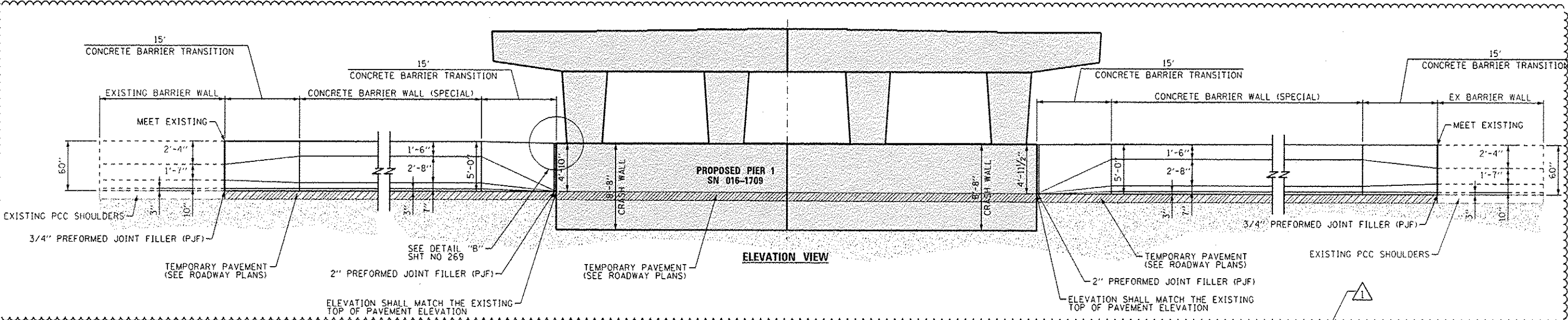
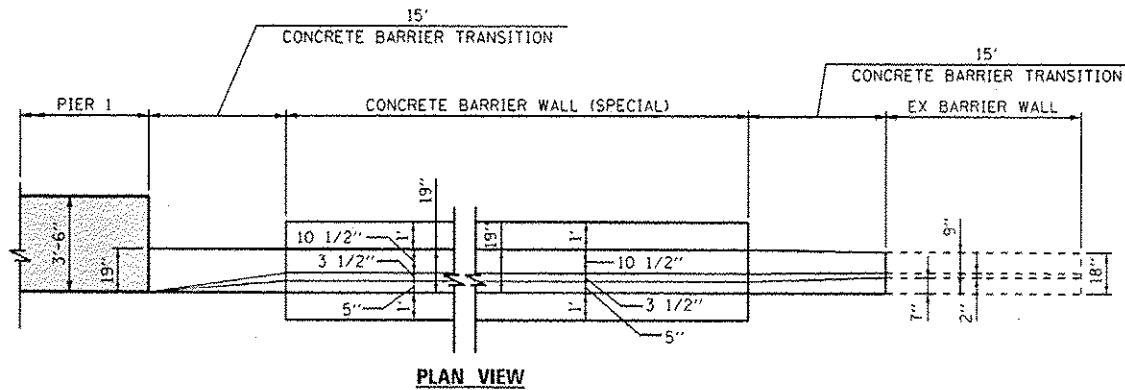
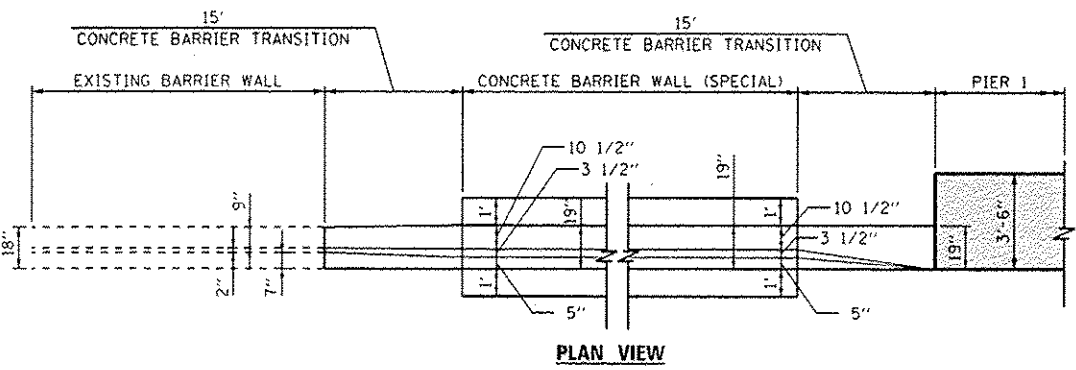


PLAN VIEW
CONCRETE BARRIER WALL (SPECIAL) TRANSITION
TO PROPOSED PIER 1 (SN 016-1709)

NOTES:

1. EXPANSION JOINTS SHOWN ON THIS DRAWING SHALL BE PREFORMED JOINT MATERIAL (BITUMINOUS TYPE) FILLER SHALL MEET AASHTO DESIGNATION M-33.
2. ALL WORK DETAILED HEREIN SHALL BE INCLUDED IN THE COST OF THE VARIOUS CONCRETE BARRIER PAY ITEMS UNLESS OTHERWISE NOTED.
3. PREFORMED JOINT FILLER SHALL BE INCLUDED IN THE COST OF THE CONCRETE BARRIER TRANSITION.
4. JOINTS SHALL BE CONSTRUCTED AS SHOWN ON THE PLANS AND IN ACCORDANCE WITH ARTICLE 637.08 OF THE STANDARD SPECIFICATIONS
5. TWO VERTICAL EPOXY COATED, NO. 8 TIE BARS, 10\"/>



D:\60W26\shd-Detail-01.dgn
 USER NAME: chsu
 PLOT SCALE: 1/8\"/>

DESIGNED - JWM/OPS
 DRAWN - JWM/OPS
 CHECKED - DBM
 DATE - 6/17/2013

REVISED - 7/19/2013
 REVISED -
 REVISED -
 REVISED -

STATE OF ILLINOIS
DEPARTMENT OF TRANSPORTATION

ROADWAY DETAILS

SCALE: N.T.S. SHEET 1 OF 9 SHEETS STA. TO STA.

F.A.I. RTE. 90/94/290	SECTION 2013-007R	COUNTY COOK	TOTAL SHEETS 317	SHEET NO. 267
CONTRACT NO. 60W26				
ILLINOIS FED. AID PROJECT				

FILE PATH: s:\a\60W26\p\shd-Detail-01.dgn