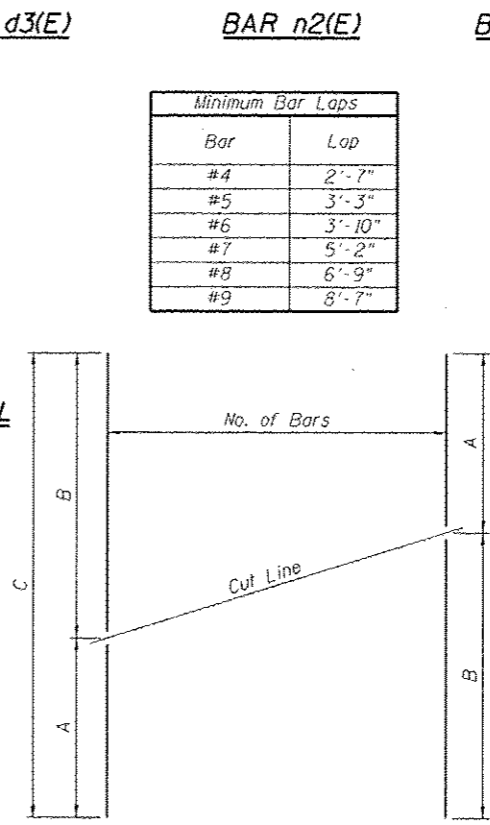
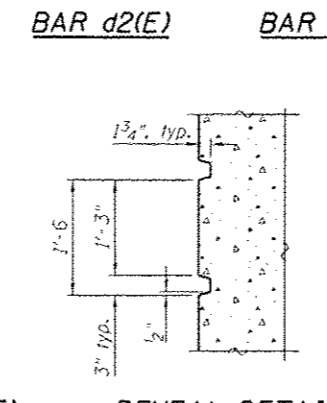


Bar	A	B
n(E)	10"	6'-3"
n2(E)	1'-7"	11'-7"



BAR CUTTING DIAGRAM

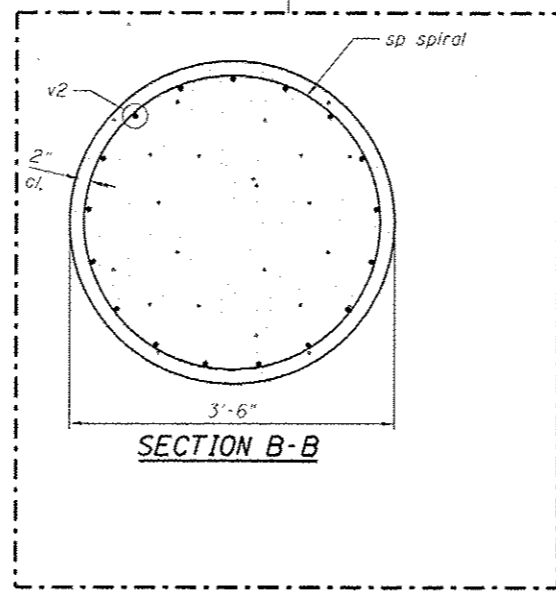
See table for dimensions. Make all cuts normal to bar axis

BAR TABLE SCHEDULE

Bar	No. of Sets Req'd	No. of Bars Per Set	A	B	C
v(E)	1	14	19'-9"	20'-11"	40'-8"
v2(E)	1	27	19'-9"	20'-11"	40'-8"

BILL OF MATERIAL				
Bar	No.	Size	Length	Shape
d(E)	30	#5	6'-10"	U
d2(E)	27	#5	6'-6"	U
d3(E)	53	#7	6'-5"	U
d3(E)	30	#5	4'-0"	U
e(E)	11	#5	25'-11"	—
e2(E)	1	#8	25'-11"	—
k(E)	44	#5	25'-11"	—
n(E)	27	#5	7'-1"	U
n2(E)	53	#9	13'-2"	U
n2(E)	136	#9	12'-10"	U
sp	8	#4	78'-5"	SP
k(E)	80	#9	14'-2"	—
v(E)	14	#5	40'-8"	—
v2(E)	27	#9	40'-8"	—
v2	272	#9	40'-3"	—
w(E)	32	#7	25'-11"	—
Concrete Structures			CU YD	93.9
Protective Coat			SO YD	83
Reinforcement Bars			POUND	45,080
Reinforcement Bars, Epoxy Coated			POUND	21,160
Drilled Shaft in Soil			CU YD	206.0

Reinforcement bars designated (E) shall be epoxy coated.



STATE OF ILLINOIS
DEPARTMENT OF TRANSPORTATION

SECTIONS, DETAILS AND BILL OF MATERIAL
RETAINING WALL (STRUCTURE NO. 016-1724) AND RISER SHAFT

F.A.I. RTE.	SECTION	COUNTY	TOTAL SHEETS	SHEET NO.
90/94/290	2013-007R	COOK	317	201

HBM
HARRISON CONSULTING & DESIGN
1415 WEST HARRISON ST.
SUITE 204
MILWAUKEE, IL 60157
PHONE: (708) 236-0900
FAX: (708) 236-0901

0161724-60W25-505-1 Wall Details.dgn
USER NAME: lisa.kallamann
PLOT SCALE: 1/8" = 1'-0"
PLOT DATE: 7/30/2013

DESIGNED - MI, MAF, JJS
DRAWN - JJS, MAF
CHECKED - MAI, MI, LAB
DATE - 6/17/2013
REVISIONS:
07/19/2013 MI, WM
07/30/2013 MI, LAB

SCALE: SHEET 52-06 OF 12 SHEETS STA. TO STA.

ILLINOIS FED. AID PROJECT