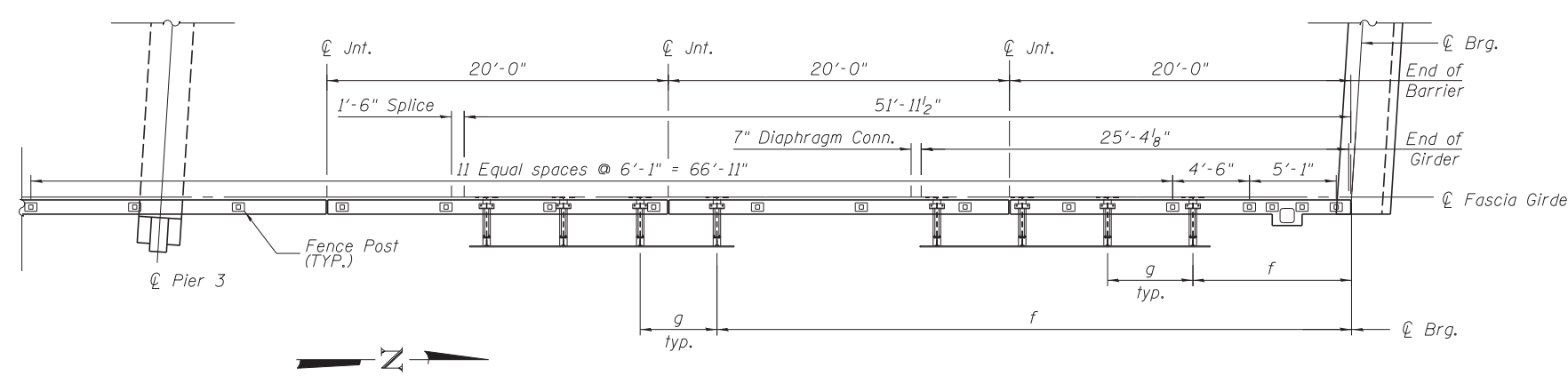
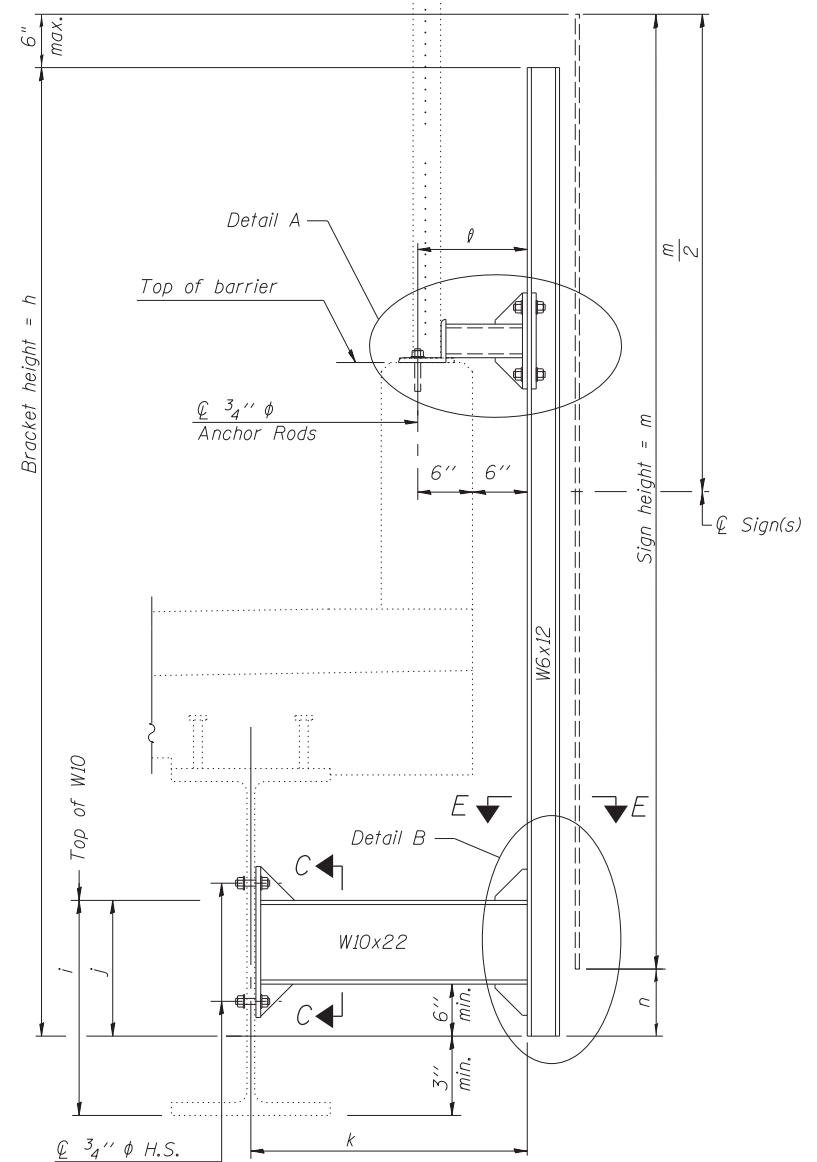


WB I-290 Elevation  
Looking West



View A-A



SECTION A-A

Structure Number	WB I-290 Station	WB I-290 Offset	h	i	j	k max. (10'-0" max.)	l max. (8'-0" max.)	m (15'-0" max.)	n (1'-5" min.)
1B016I290L029.3A	5262+87.63	7.36LT	*	1'-11"	1'-4 1/4"	1'-6"	1'-0"	8'-6"	*
1B016I290L029.3B	5262+91.17	19.55RT	*	1'-11"	1'-4 1/4"	1'-6"	1'-0"	8'-6"	*

\* varies, see table below

Structure Number	h <sub>1</sub>	h <sub>2</sub>	h <sub>3</sub>	h <sub>4</sub>	n <sub>1</sub>	n <sub>2</sub>	n <sub>3</sub>	n <sub>4</sub>
1B016I290L029.3A	9'-11"	9'-11"	9'-11"	10'-6"	1'-5"	1'-7 1/4"	1'-9 1/2"	2'-1 1/8"
1B016I290L029.3B	10'-11 3/4"	10'-11 3/4"	10'-11 3/4"	11'-6 3/4"	2'-5 1/2"	2'-8"	2'-10 3/8"	2'-7 7/8"

h<sub>1</sub>/n<sub>1</sub> corresponds with the most southern bracket, then ascending to the most northern bracket h<sub>4</sub>/n<sub>4</sub>.

**NOTES:**

1. Installations not within dimensional limits shown require special analysis for all components and must be submitted to the Bureau of Bridges and Structures for approval.
2. Contractor shall field check all pertinent existing bridge dimensions shown on plans before submitting shop drawings.
3. All holes in bridge beams or girders should be located in the middle half of the member. There shall be no holes drilled in the lower quarter of the member's depth. Proposed exceptions must be approved by the Bureau of Bridges and Structures.
4. The Engineer may adjust dimension "i" to meet the above condition and to keep the sign level.
5. For Details A, & B, Sections C-C, and E-E, see Sheet SSR-3.
6. Contractor shall remove existing fence post connections if conflict with sign bracket connections occur. Costs for removal are included with sign installation.

FILE PATH = C:\Users\will.mardous\Desktop\Sign\_Structures\0160W25-Sht-SignStruct05-Recine2.dgn

**HBM**  
ENGINEERING GROUP, LLC.  
CONSULTING & DESIGN  
INSPECTION & RATING  
RESEARCH & TESTING

4415 WEST HARRISON ST.  
SUITE 231  
HILLSIDE, IL 60162  
PHONE: (708) 236-0900  
FAX: (708) 236-0901

D160W25-Sht-SignStruct05-Recine2.dgn  
USER NAME = will.mardous  
PLOT SCALE = 0:1.0000 '1' / in.  
PLOT DATE = 6/14/2013

DESIGNED - MI, MWM  
DRAWN - MWM  
CHECKED - MAI, MI  
DATE - 6/17/2013

REVISED -  
REVISED -  
REVISED -  
REVISED -

**STATE OF ILLINOIS  
DEPARTMENT OF TRANSPORTATION**

**BRIDGE MOUNT SIGN STRUCTURES AND CONNECTION DETAILS  
EXISTING STRUCTURE NO. 016-2115**

SCALE: SHEET SSR-2 OF 3 SHEETS STA. TO STA.

F.A.I. R.E.	SECTION	COUNTY	TOTAL SHEETS	SHEET NO.
90/94/290	2013-007R	COOK	317	120
CONTRACT NO. 60W25				

ILLINOIS FED. AID PROJECT