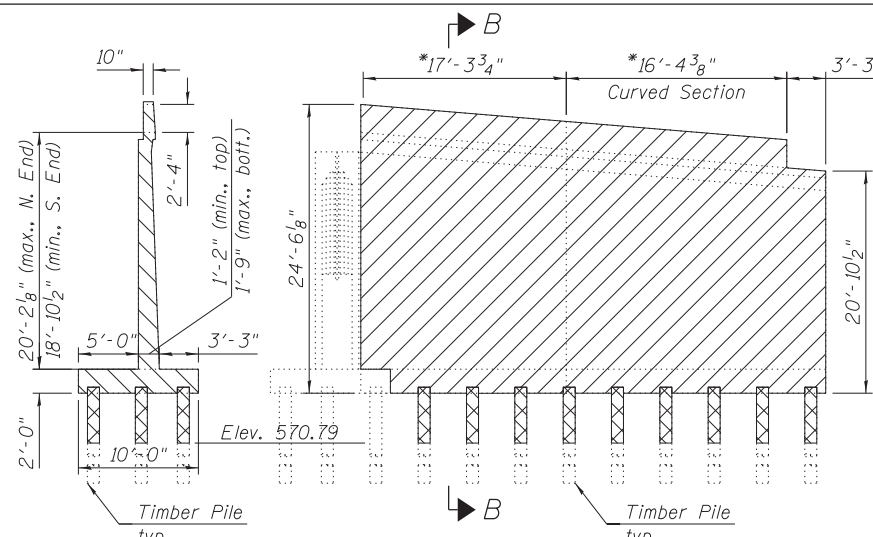
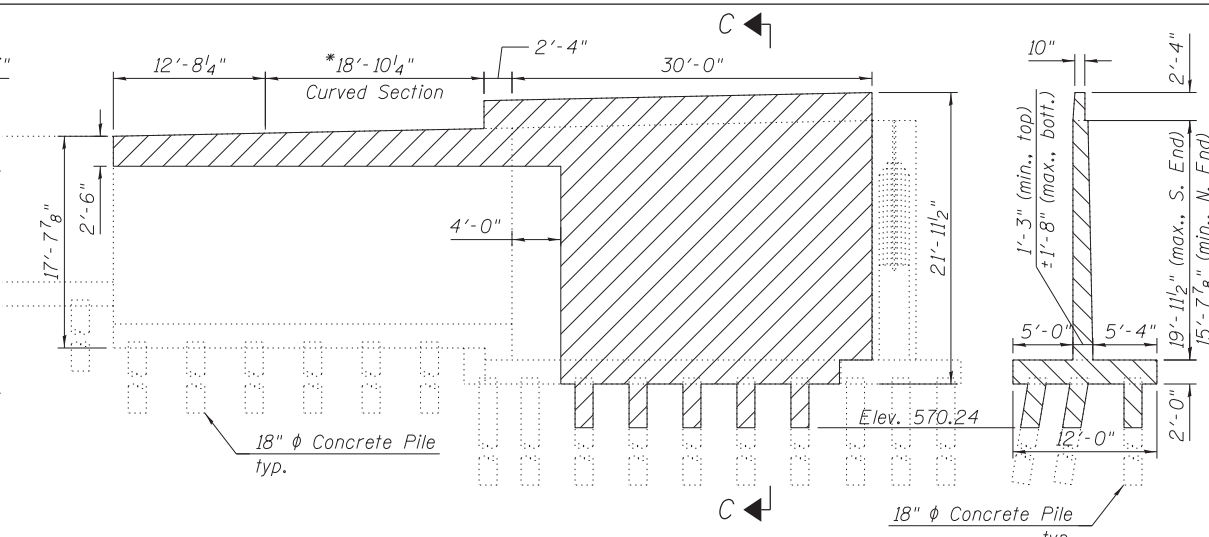


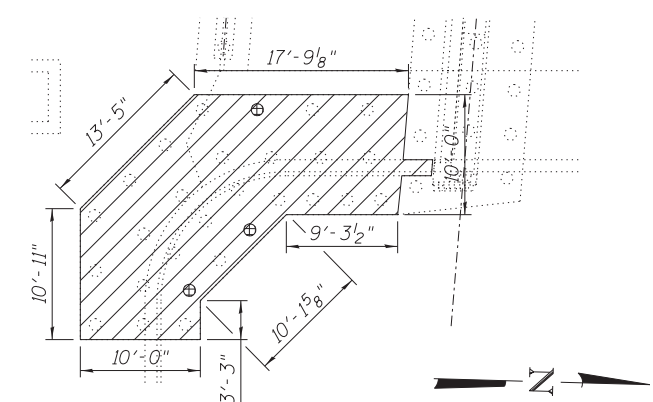
ELEVATION - SOUTHEAST WINGWALL SECTION A-A
(Looking Southwest)



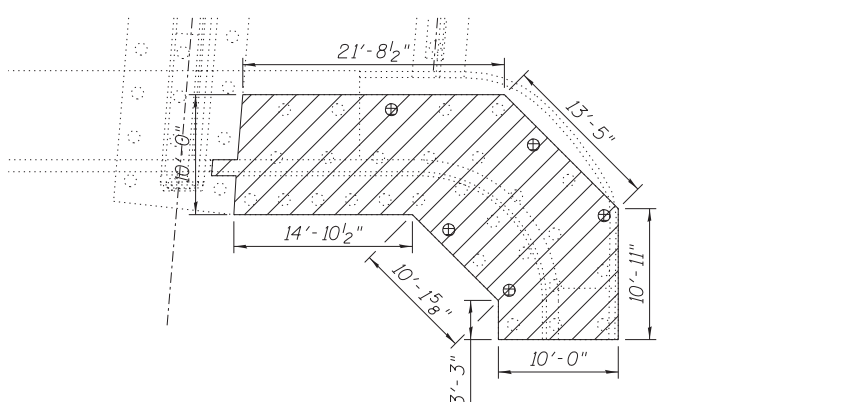
SECTION B-B ELEVATION - SOUTHWEST WINGWALL
(Looking Southeast)



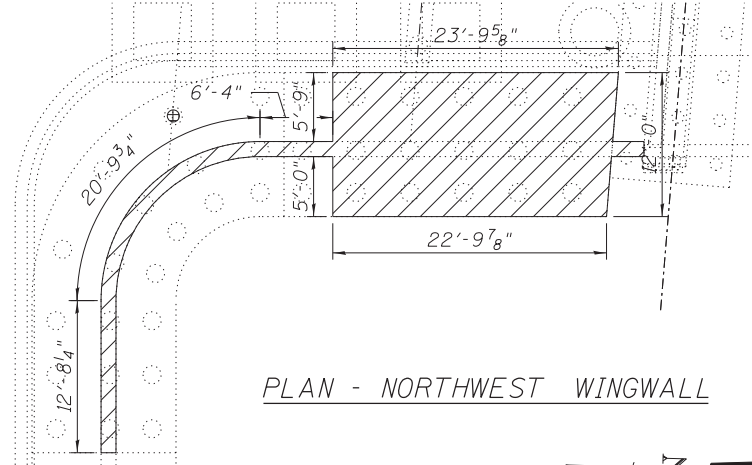
ELEVATION - NORTHWEST WINGWALL SECTION C-C
(Looking at Northeast)



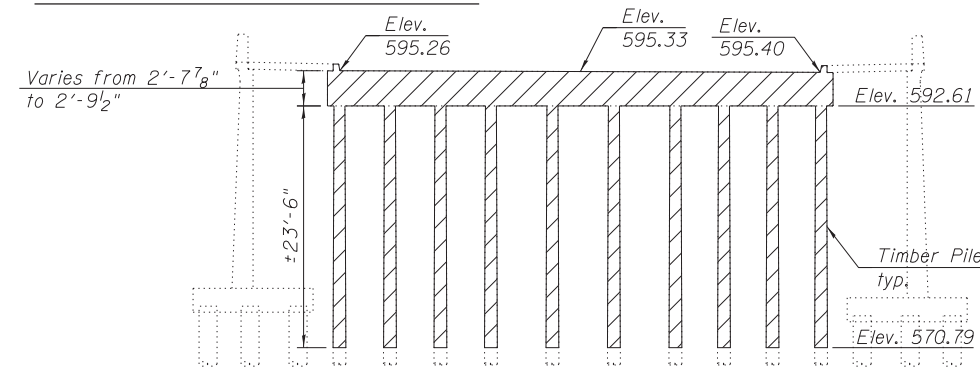
PLAN - SOUTHEAST WINGWALL



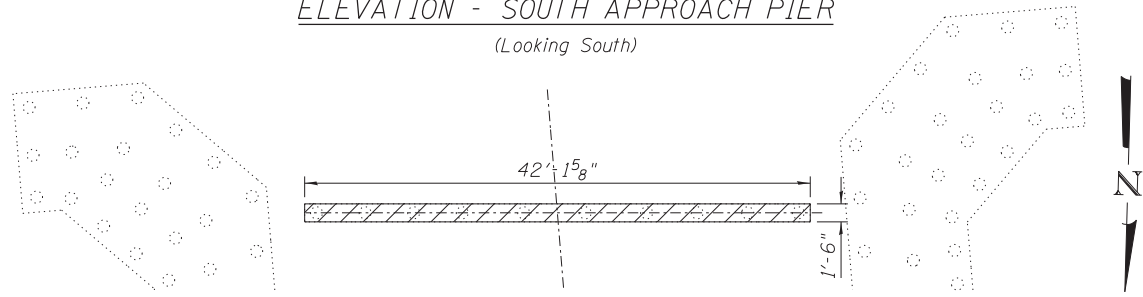
PLAN - SOUTHWEST WINGWALL



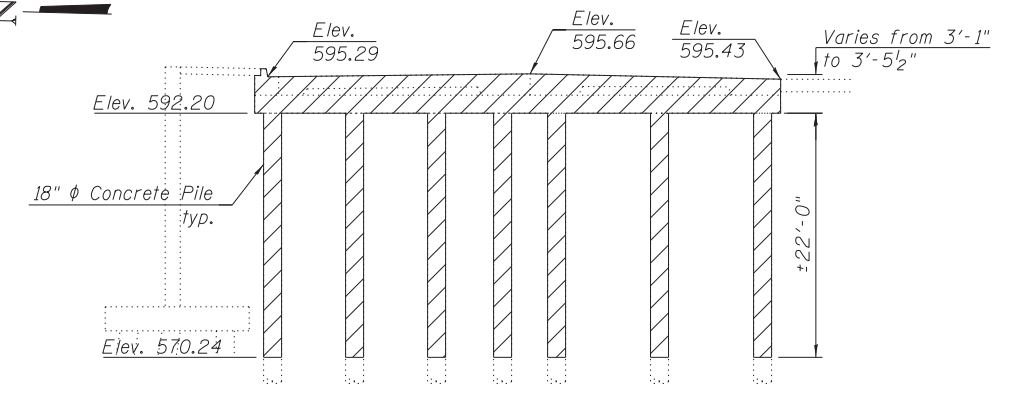
PLAN - NORTHWEST WINGWALL



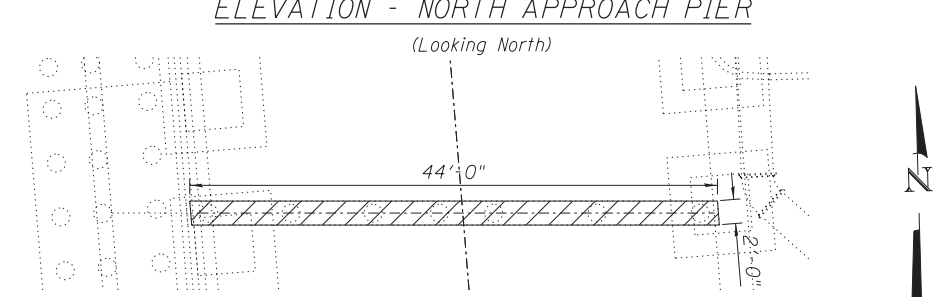
ELEVATION - SOUTH APPROACH PIER
(Looking South)



PLAN - SOUTH APPROACH PIER



ELEVATION - NORTH APPROACH PIER
(Looking North)



PLAN - NORTH APPROACH PIER

- LEGEND:**
- Concrete removal
 - Portion of existing timber pile to be removed
 - Pile Extraction

* Measured along front face of wingwall.

FILE PATH = C:\Users\will.mardouss\Desktop\Wingwall\0161709-60W25-S08-RemovalDetails2.dgn

HBM
ENGINEERING GROUP, LLC
CONSULTING & DESIGN
INSPECTION & RATING
RESEARCH & TESTING

4415 WEST HARRISON ST.
SUITE 231
HILLSIDE, IL 60162
PHONE: (708) 236-0900
FAX: (708) 236-0901

0161709-60W25-S08-RemovalDetails2.dgn
USER NAME = will.mardouss
PLOT SCALE = 8:0 '1' / in.
PLOT DATE = 6/14/2013

DESIGNED - MI, MAF, JMG
DRAWN - JMG, MAF
CHECKED - MI, MAF, JMG
DATE - 6/17/2013

REVISED -
REVISED -
REVISED -
REVISED -

**STATE OF ILLINOIS
DEPARTMENT OF TRANSPORTATION**

**EXISTING STRUCTURE REMOVAL DETAILS 2 OF 2
STRUCTURE NO. 016-1709**

SCALE: SHEET S1-08 OF 51 SHEETS STA. TO STA.

F.A.I. R.T.E. 90/94/290	SECTION 2013-007R	COUNTY COOK	TOTAL SHEETS 317	SHEET NO. 152
ILLINOIS FED. AID PROJECT			CONTRACT NO. 60W25	