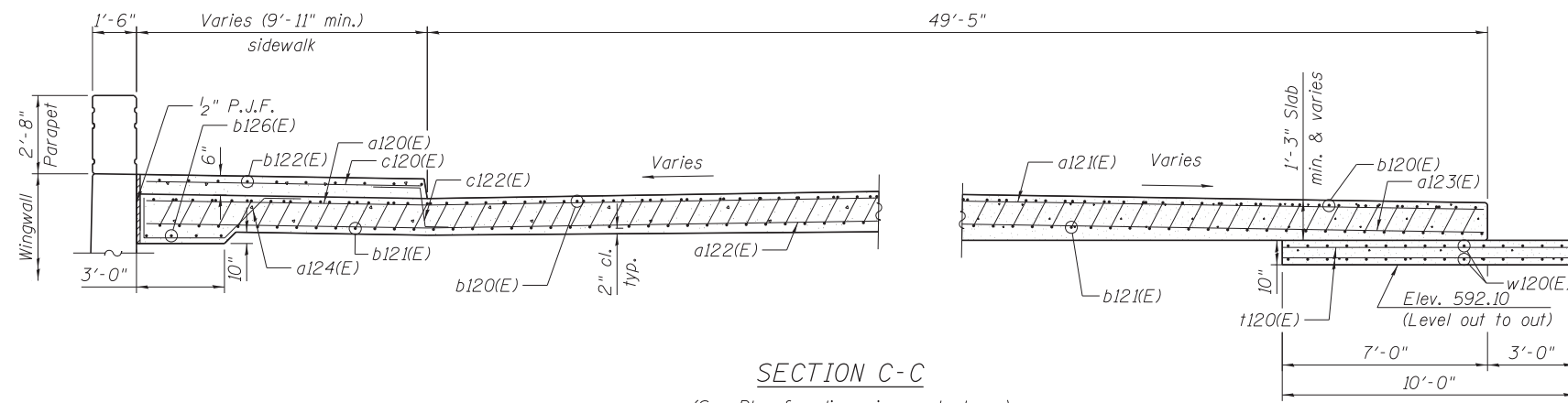


SECTION B-B

NOTES:

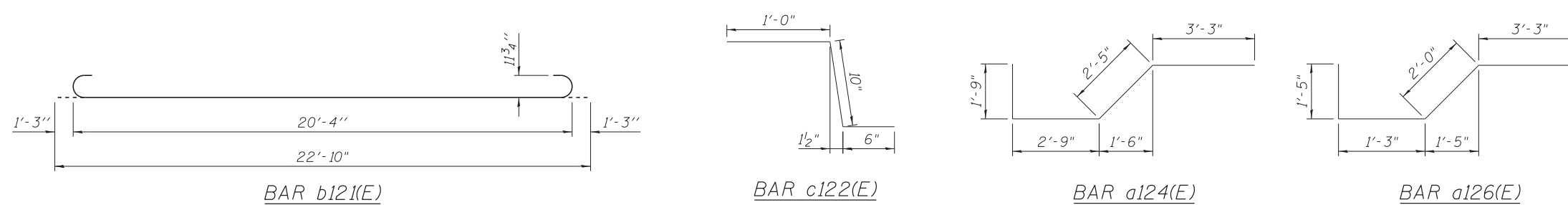
1. See Sheet S1-49 for Detail A.
2. Approach slab and sidewalk concrete shall be paid for as Concrete Superstructure.
3. Approach footing concrete shall be paid for as Concrete Structures.
4. Reinforcement shall be paid for as Reinforcement Bars, Epoxy Coated.
5. For v(E) bar details, see sheet S1-34.
6. The approach footing maximum applied service bearing pressure (Q_{max}) = 2.0 ksf.
7. For bar splicer details, see Sheet S1-43.
8. Cost of excavation for approach footing included with Concrete Structures.
9. For Porous Granular Embankment and drainage treatment details, see sheet S1-34.



SECTION C-C
(See Plan for dimensions not shown)

BILL OF MATERIAL

Bar	No.	Size	Length	Shape
a120(E)	14	#4	28'-6"	—
a121(E)	26	#4	30'-1"	—
a122(E)	26	#5	28'-6"	—
a123(E)	46	#5	30'-1"	—
a124(E)	23	#5	10'-2"	~
a125(E)	6	#5	30'-1"	—
a126(E)	60	#5	7'-11"	~
b120(E)	49	#4	22'-8"	—
b121(E)	144	#9	22'-10"	~
b122(E)	11	#5	22'-8"	—
b123(E)	2	#5	8'-0"	—
b124(E)	2	#4	8'-0"	—
b125(E)	2	#9	8'-0"	—
b126(E)	4	#5	20'-1"	—
c120(E)	18	#5	9'-6"	—
c121(E)	6	#5	11'-1"	—
c122(E)	24	#5	2'-4"	~
t120(E)	46	#4	9'-8"	—
w120(E)	40	#5	20'-10"	—
Concrete Structures		Cu. Yd.	6.5	
Concrete Superstructure		Cu. Yd.	72.8	
Bridge Deck Grooving		Sq. Yd.	124	
Protective Coat		Sq. Yd.	154	
Reinforcement Bars, Epoxy Coated		Pound	17,750	



- * Tilt #9 b121(E) bars as required to maintain clearance.
- ** Bars to be cut in field.
- *** Cost included with Concrete Superstructure.

FILE PATH = C:\Users\willmar.douss\Desktop\0161709-60W25-550-Nor-thAppr-Slab2.dgn

HBM
ENGINEERING GROUP, LLC.
CONSULTING & DESIGN
INSPECTION & RATING
RESEARCH & TESTING

4415 WEST HARRISON ST.
SUITE 231
HILLSIDE, IL 60162
PHONE: (708) 236-0900
FAX: (708) 236-0901

0161709-60W25-550-Nor-thAppr-Slab2.dgn	DESIGNED - MI, PH, MWM	REVISED -
USER NAME = willmar.douss	DRAWN - PH	REVISED -
PLOT SCALE = 6:0.0000 ' : / in.	CHECKED - MAI, MI, MWM	REVISED -
PLOT DATE = 6/14/2013	DATE - 6/17/2013	REVISED -

**STATE OF ILLINOIS
DEPARTMENT OF TRANSPORTATION**

**NORTH APPROACH SLAB SECTIONS AND DETAILS
STRUCTURE NO. 016-1709**

SCALE: SHEET S1-50 OF 51 SHEETS STA. TO STA.

F.A.I. R.E.	SECTION	COUNTY	TOTAL SHEETS	SHEET NO.
90/94/290	2013-007R	COOK	317	194
CONTRACT NO. 60W25			ILLINOIS FED. AID PROJECT	