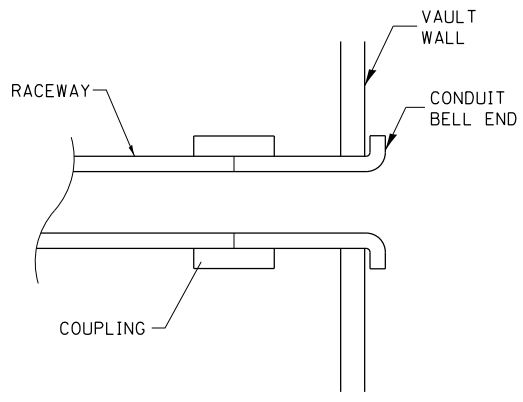
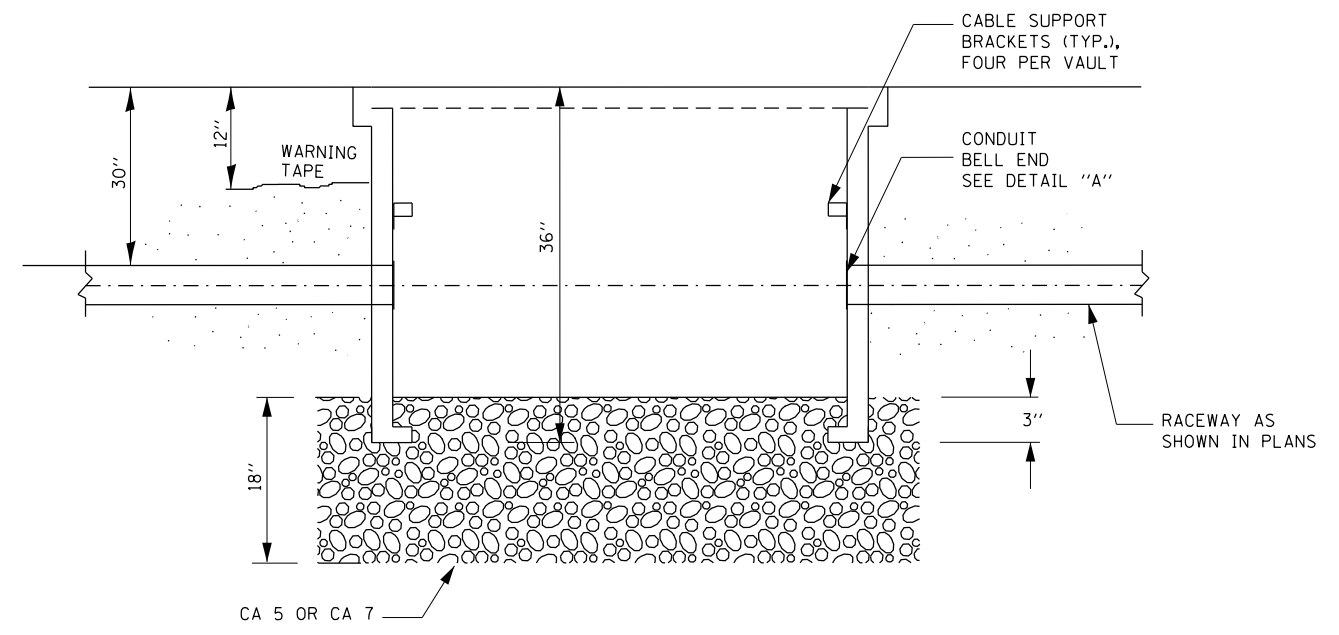


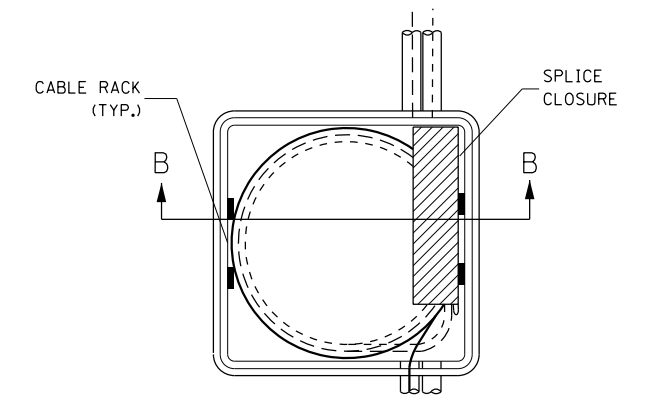
COMMUNICATIONS VAULT LOAD RATINGS			
COMPONENT	ANSI TIER	LOADING	
		DESIGN	TEST
BOX	22	22,500 lbs.	37,750 lbs.
COVER	22	22,500 lbs.	37,750 lbs.



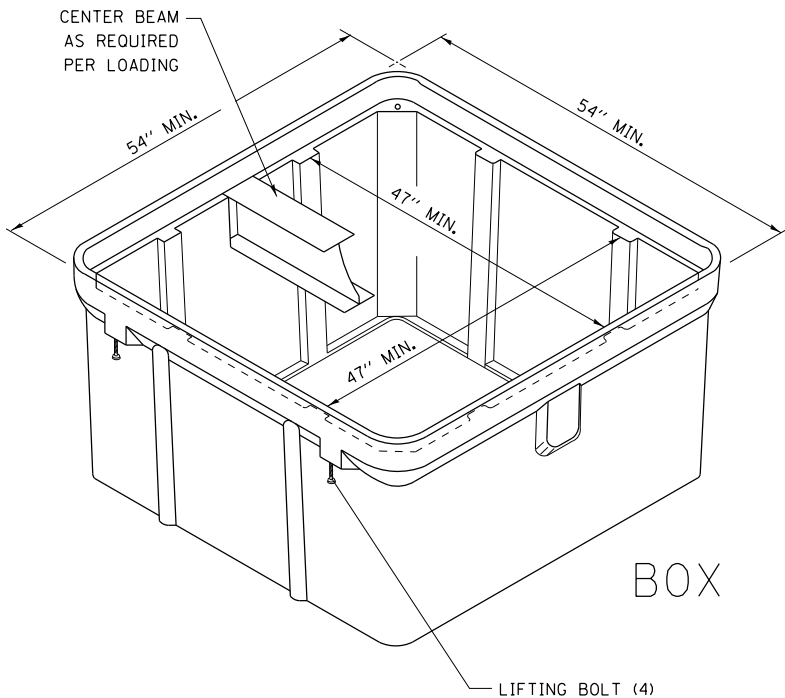
DETAIL A



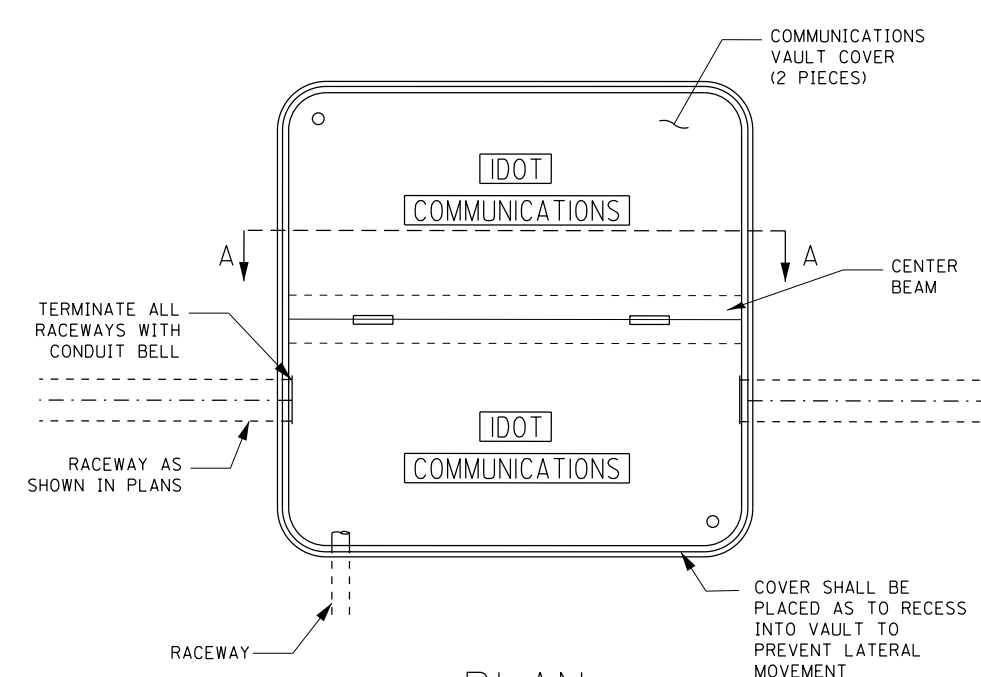
SECTION A-A



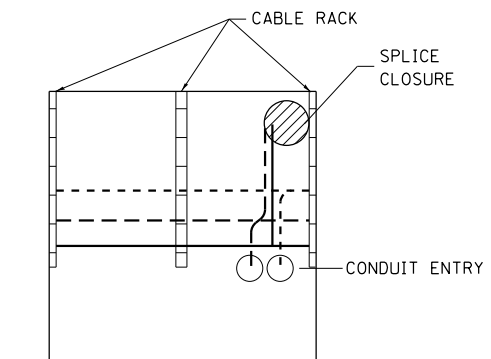
TOP VIEW



ISOMETRIC



PLAN



SECTION B-B

NOTES:

1. BOX SHALL HAVE AN OPEN BASE.
2. ALL OPENINGS IN STRUCTURE MUST BE MACHINED AT TIME OF FABRICATION OR PUNCH DRIVEN AT TIME OF PLACEMENT. IN ACCORDANCE WITH MANUFACTURER RECOMMENDATIONS.
3. FIELD PLACEMENT OF COMMUNICATIONS VAULT SHALL BE AS DIRECTED BY THE ENGINEER.
4. ALL DIMENSIONS ARE MINIMUM AND A LARGER SIZE HANDHOLE MAY BE USED, WITH THE APPROVAL OF THE ENGINEER, TO FACILITATE USING A MANUFACTURER'S STANDARD PRODUCT.