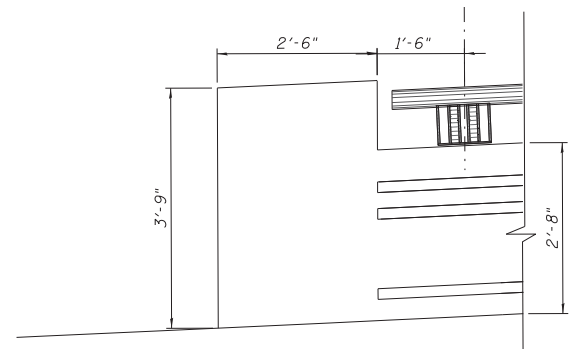
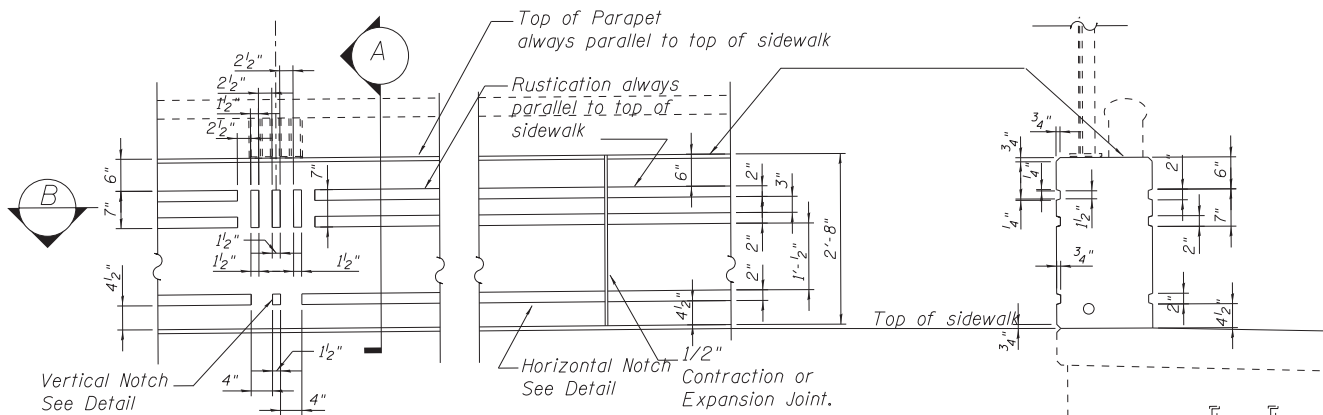


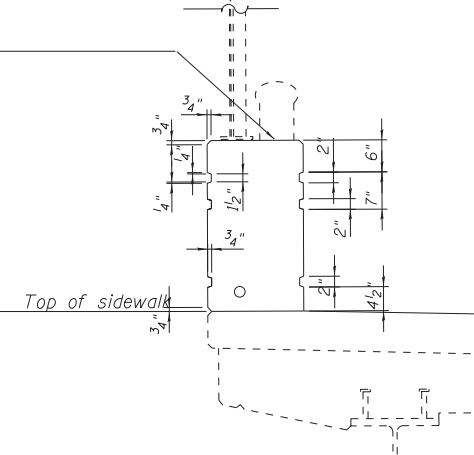
FILE PATH = p:\388035\p\mt\escomon\me\local\AECOM\00\Documents\01_Americas\Transportation\60269938_Circle\Phase_1\1\000_CAD\007_Landscape-Architectural\Sheets\160W25-sht_Parapet_Detail_02.dgn



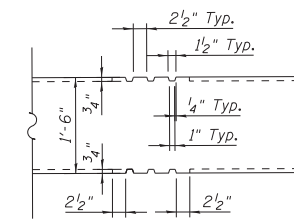
DETAIL 2



DETAIL 1



SECTION A



SECTION B



DI60W25-sht_Parapet_Detail_02.dgn
 USER NAME = r1stovskem
 PLOT SCALE = 1.0000' / 1" =
 PLOT DATE = 6/14/2013

DESIGNED - MR
 DRAWN - MR
 CHECKED -
 DATE - 5/21/2013

REVISED -
 REVISED -
 REVISED -
 REVISED -

STATE OF ILLINOIS
 DEPARTMENT OF TRANSPORTATION

ROADWAY DETAILS
 BRIDGE PARAPET

SCALE: SHEET 9 OF 9 SHEETS STA. TO STA.

F.A.I. RTE.	SECTION	COUNTY	TOTAL SHEETS	SHEET NO.
90/94/290	2013-007R	COOK	317	269F
CONTRACT NO. 60W25			ILLINOIS FED. AID PROJECT	