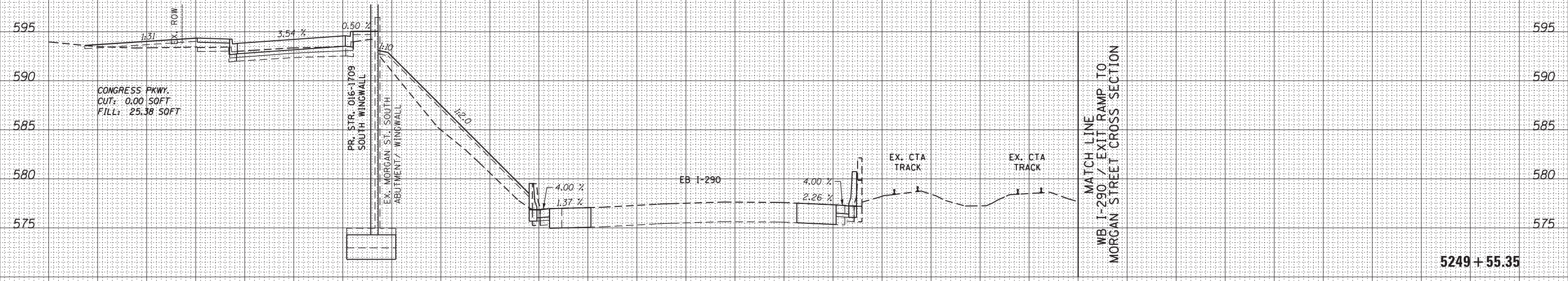


280 270 260 250 240 230 220 210 200 190 180 170 160 150 140 130 120 110 100 90 80 70 60 50 40 30 20 10 0 10 20

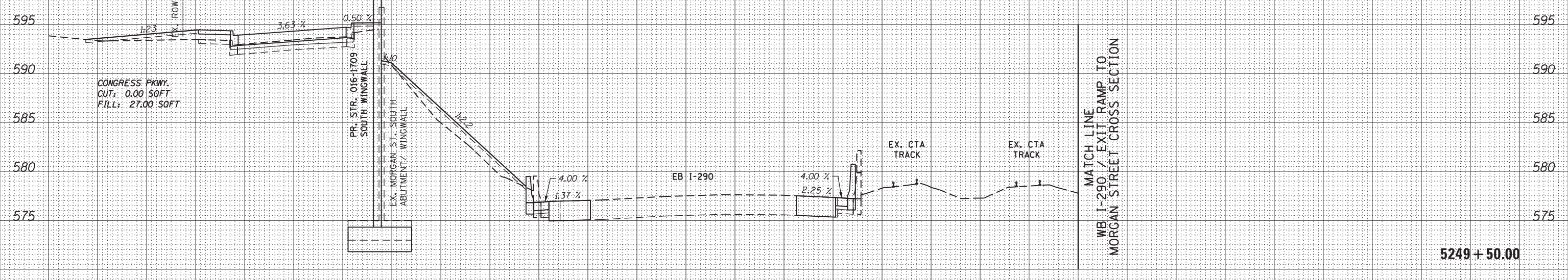
CROSS SECTIONS, STATIONING AND OFFSETS SHOWN
REFERENCE THE PROPOSED WB I-290 BASELINE

DATE	
BY	
FINISHED SURVEY	
PLOTTED	
TEMPLATE	
AREAS CHECKED	
NO.	



5249 + 55.35

DATE	
BY	
ORIGINAL SURVEY	
PLOTTED	
TEMPLATE	
AREAS CHECKED	
NO.	



5249 + 50.00

280 270 260 250 240 230 220 210 200 190 180 170 160 150 140 130 120 110 100 90 80 70 60 50 40 30 20 10 0 10 20



D160W25-sht-Xssht-03
 USER NAME = pimsarno
 PLOT SCALE = 10.0000' / 1" = 100.0000'
 PLOT DATE = 6/14/2013

DESIGNED - AFC / KAM
 DRAWN - AFC / KAM
 CHECKED - DBM
 DATE - 6/17/2013

REVISED -
 REVISED -
 REVISED -
 REVISED -

STATE OF ILLINOIS
 DEPARTMENT OF TRANSPORTATION

EB I-290 / CONGRESS PARKWAY CROSS SECTION

SCALE: 1:5V, 1:10H SHEET 29 OF 33 SHEETS STA. 5249+50.00 TO STA. 5249+55.35

F.A.I. RTE.	SECTION	COUNTY	TOTAL SHEETS	SHEET NO.
90/94/290	2013-007R	COOK	317	301
CONTRACT NO. 60W25				
ILLINOIS FED. AID PROJECT				

FILE PATH = p:\388039\pmit\atcomon\line\local\PM\AEC\000\Documents\01\Americas\Transportation\60269938_Circle\Phase_1\000_CDD\006_Roadway\Sheets\60W25-sht-Xssht-03