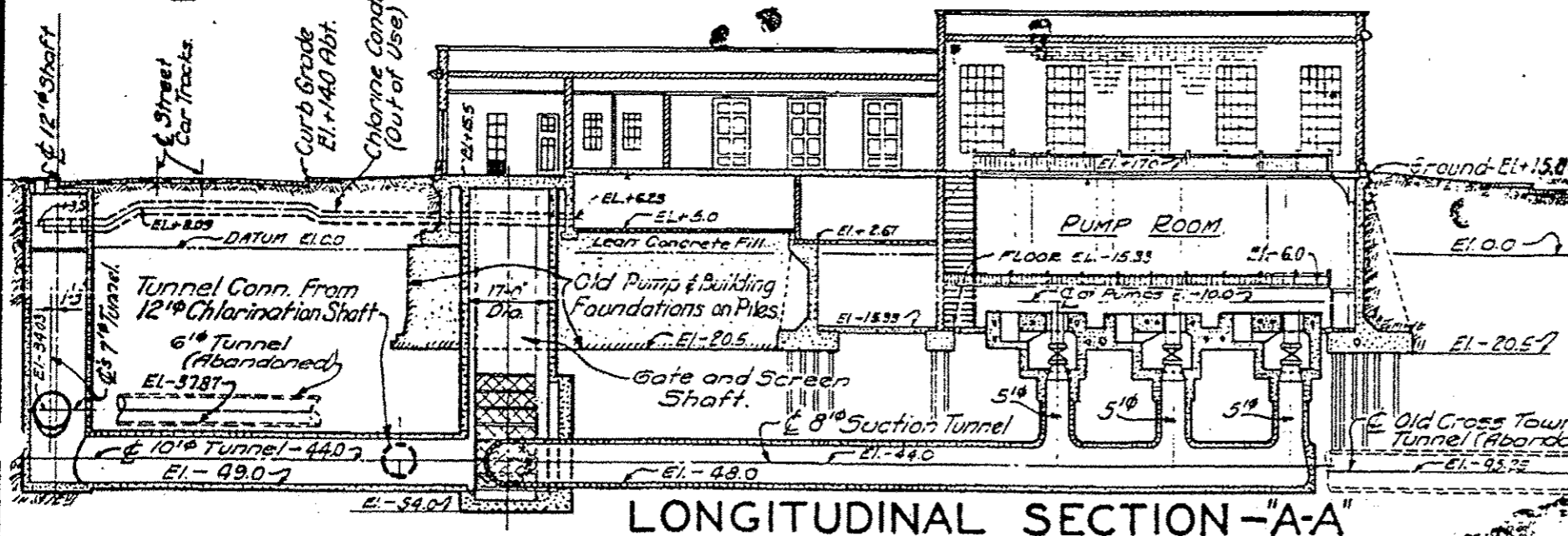
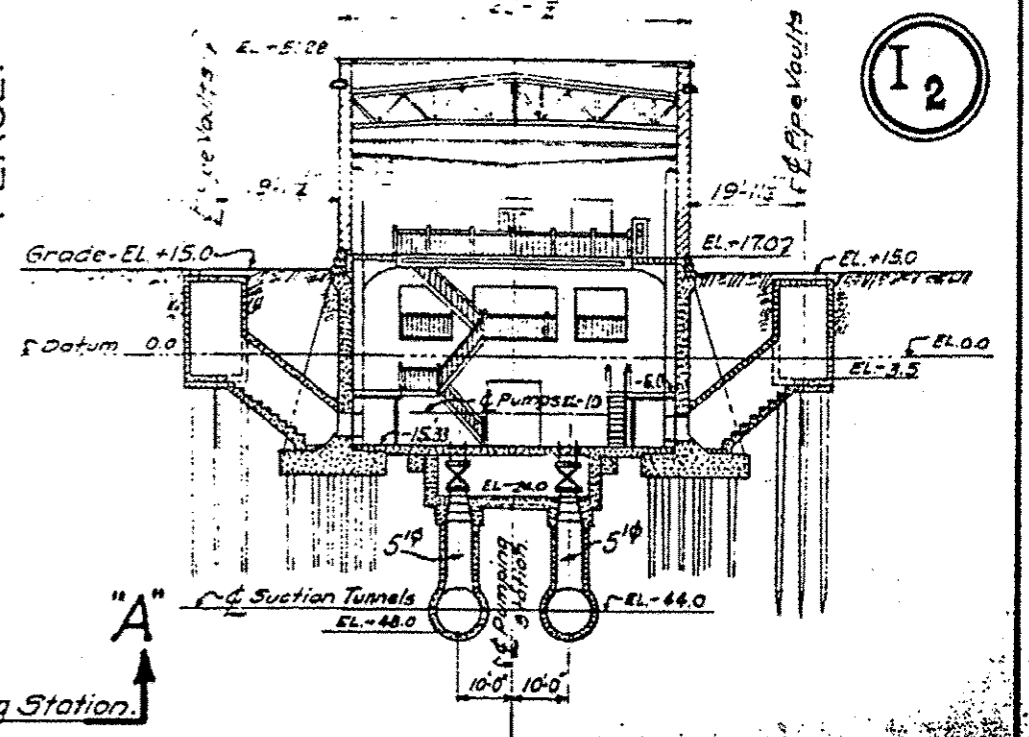


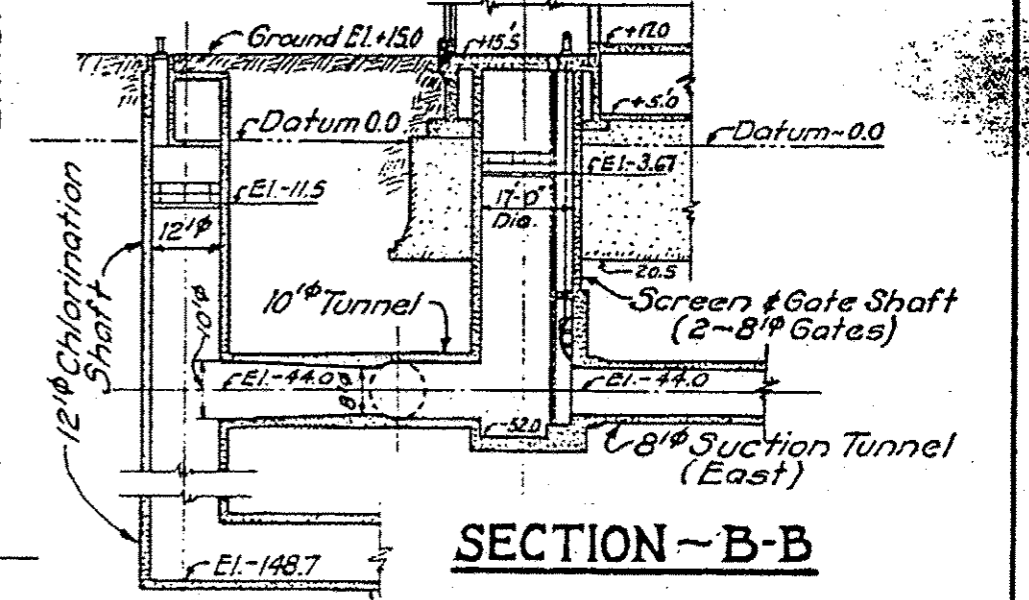
GENERAL PLAN



LONGITUDINAL SECTION -A-A-



CROSS SECTION THROUGH PUMP ROOM



SECTION -B-B

FOR INFORMATION ONLY
SUBJECT TO VERIFICATION

CITY OF CHICAGO
DEPARTMENT OF PUBLIC WORKS
BUREAU OF ENGINEERING
DIVISION OF WATER WORKS DESIGN

CERMAK PUMPING STATION

SCALE: 1 in. = 40 ft. APRIL, 1937
Revised May 1940. T.A.R. 10,57 FILE 3-N

FILE NAME = FILES

COLLINS ENGINEERS

USER NAME: rgal
PLOT SCALE: 2,0000 / in.
PLOT DATE: 4/12/2013

DESIGNED -
DRAWN -
CHECKED -
DATE -

REVISED -
REVISED -
REVISED -
REVISED -

STATE OF ILLINOIS
DEPARTMENT OF TRANSPORTATION

RECORD DRAWING

SCALE: SHEET NO. OF SHEETS STA. TO STA.

F.A.I. R.T.E.	SECTION	COUNTY	TOTAL SHEETS	SHEET NO.
90/94	0101.6-2P-1-3 (13)	COOK	37	14

CONTRACT NO. 60W36
FED. ROAD DIST. NO. 1 (ILLINOIS) FED. AID PROJECT