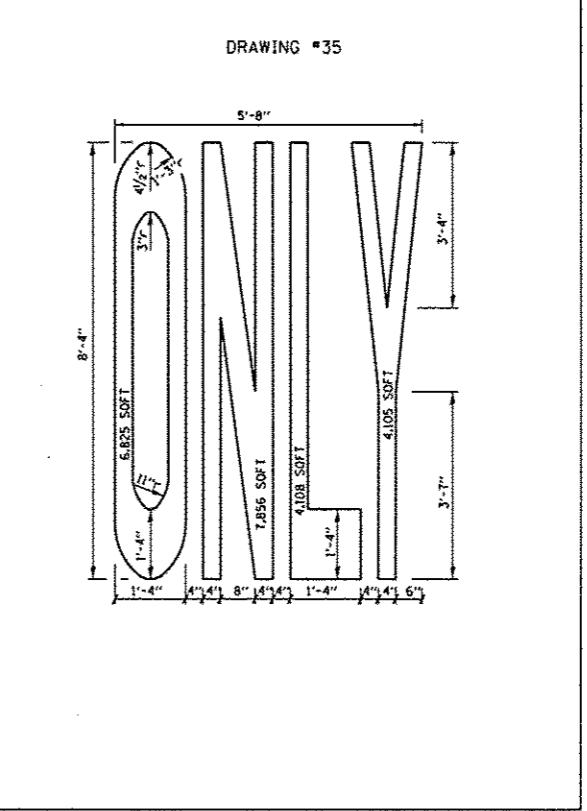
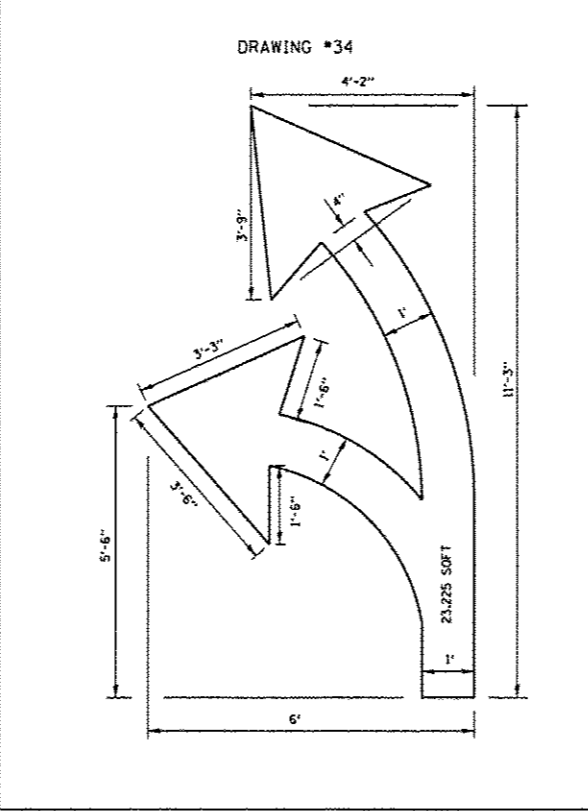
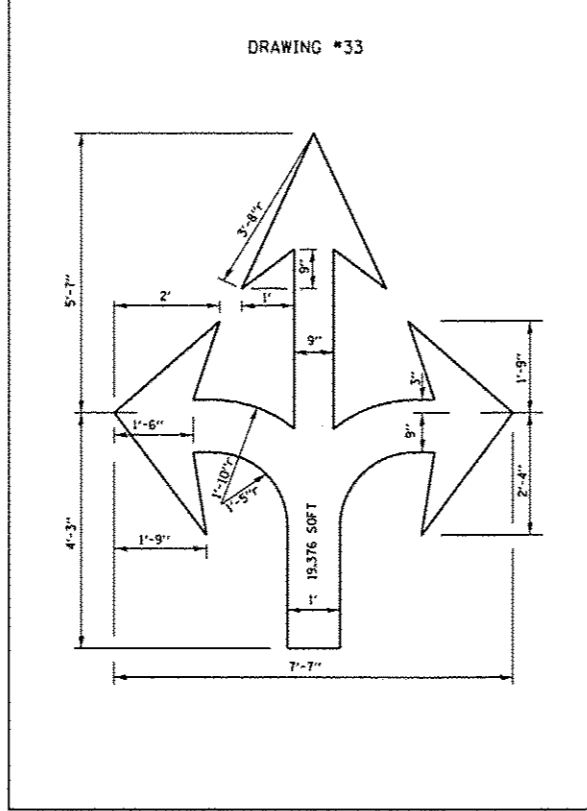
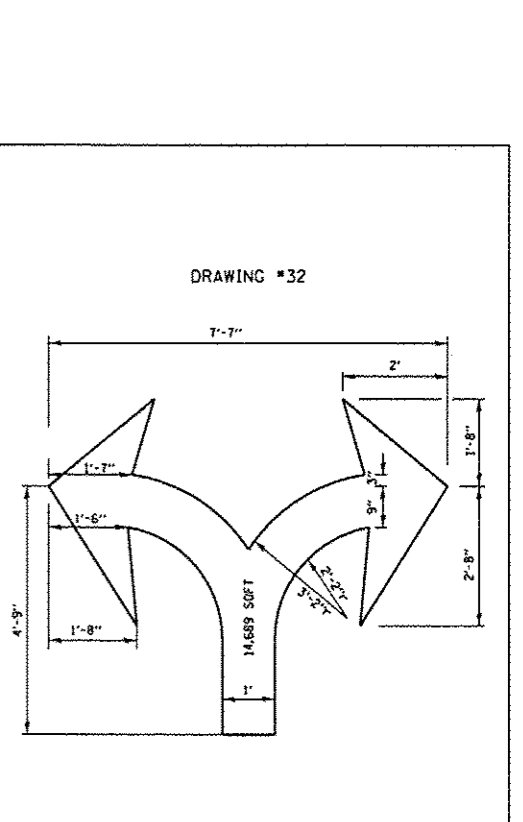
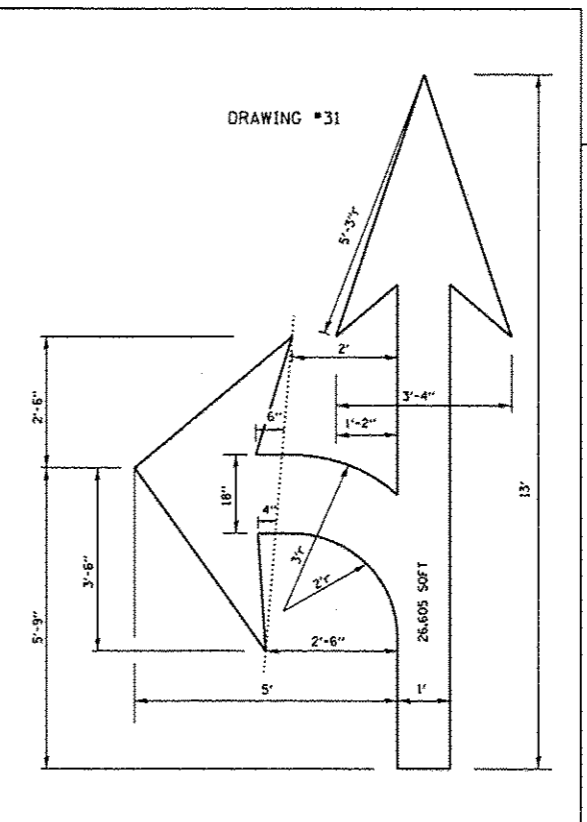
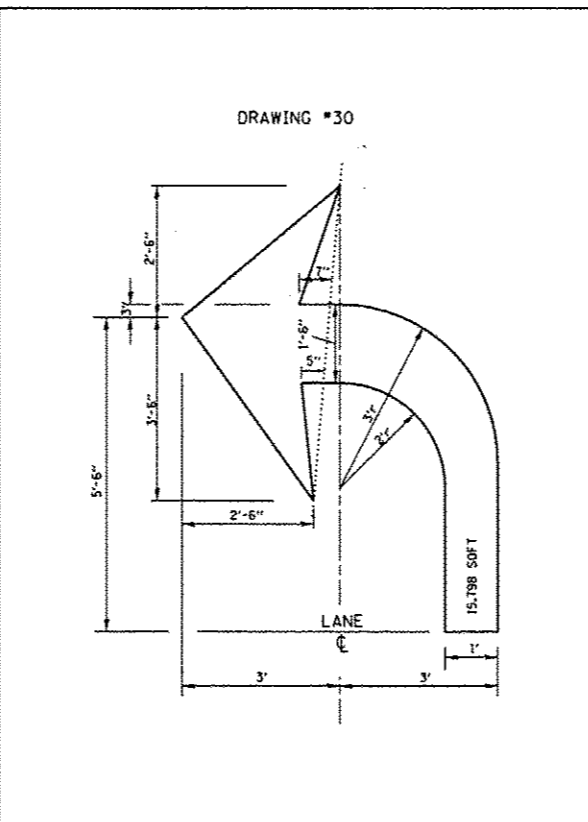
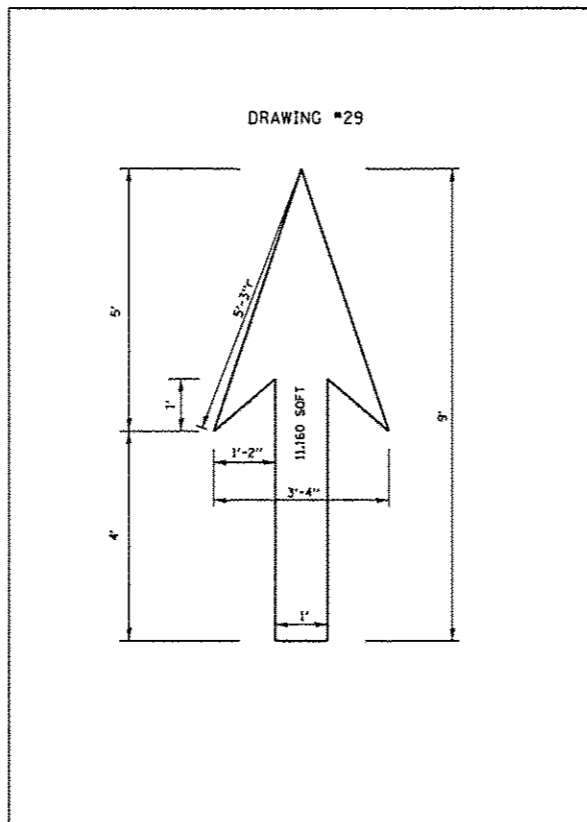


**NOTE:**

- 1.) FOR BIKE LANE SYMBOLS ONLY, USE PRE-FORMED THERMOPLASTIC WITH A MINIMUM THICKNESS OF 90 MILS, MINIMUM SKID RESISTANCE VALUE OF 60 BPN, & A MINIMUM INDEX OF REFRACTION OF 1.50.
- 2.) THE RESIDENT ENGINEER SHALL CONTACT MR. BEN GOMBERG AT 312-744-8093 AT LEAST ONE CALENDAR WEEK PRIOR TO INSTALLING BIKE LANE SYMBOLS.

**TYPICAL BIKE LANE SYMBOLS**  
DRAWING #28



**NOTE:**

ALL MARKINGS SHALL BE SOLID WHITE UNLESS OTHERWISE NOTED IN THE PLANS

FILE NAME =	USER NAME = rgall	DESIGNED -	REVISED - T, RAMMACHER 12-07-00
		DRAWN -	REVISED - K, ENG 01-12-12
	PLOT SCALE = 1/8" = 1'-0"	CHECKED -	REVISED -
	PLOT DATE = 4/12/2013	DATE -	REVISED -

**STATE OF ILLINOIS**  
**DEPARTMENT OF TRANSPORTATION**

<b>CITY OF CHICAGO</b>	
<b>TYPICAL PAVEMENT MARKINGS</b>	
SCALE: NONE	SHEET NO. 2 OF 3 SHEETS STA. TO STA.

F.A. RTE. 90/94	SECTION 0101.6-2P-1-3 (13)	COUNTY COOK	TOTAL SHEETS 37	SHEET NO. 36
<b>TC-24</b>		<b>CONTRACT NO. 60W36</b>		
FED. ROAD DIST. NO. 1 ILLINOIS FED. AID PROJECT				