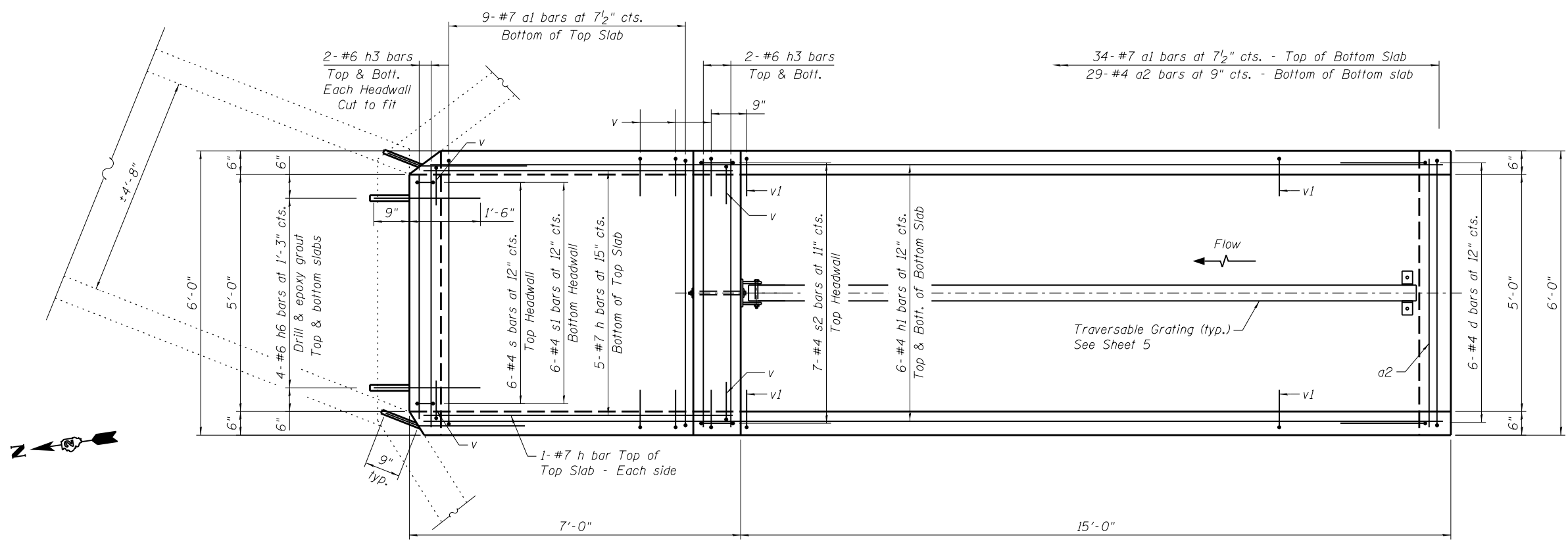


* Epoxy grout reinforcement bars according to the requirements of Section 584 of the Standard Specifications. The chemical adhesive system shall be capable of achieving a minimum proof load of 5,000 lb. A depth of embedment of 9" has been assumed to determine bar lengths and quantities. The actual depth will be dependent on the selected chemical adhesive and approval of the Engineer. Cost included in the pay item Box Culvert End Sections, Culvert No. 06.

LONGITUDINAL SECTION



PLAN

FILE NAME = W:\Projects\2010\100120 PTB 157\25\cadd\Structural\Drawn\03 IL 92 Culverts\Station885+30.07\Final Submittal 13.0320\885+30.07-64H1-003-GrateEndSection.dgn

WILLIS BURKE KELSEY ASSOCIATES LTD.
 116 West Main Street, Suite 201
 St. Charles, Illinois 60174

USER NAME = hferstl	DESIGNED - DLS	REVISED -
PLOT SCALE =	CHECKED - AEU	REVISED -
PLOT DATE = 3/20/2013	DRAWN - DLS	REVISED -
	CHECKED - AEU	REVISED -

STATE OF ILLINOIS
DEPARTMENT OF TRANSPORTATION

BOX CULVERT END SECTION
STA. 885 + 30.07 RT.

SHEET NO. 3 OF 6 SHEETS

F.A.P. RTE.	SECTION	COUNTY	TOTAL SHEETS	SHEET NO.
599	(83MFT & 103MFT)W	ROCK ISLAND	340	167
CONTRACT NO. 64H11				
FED. ROAD DIST. NO. ILLINOIS FED. AID PROJECT				