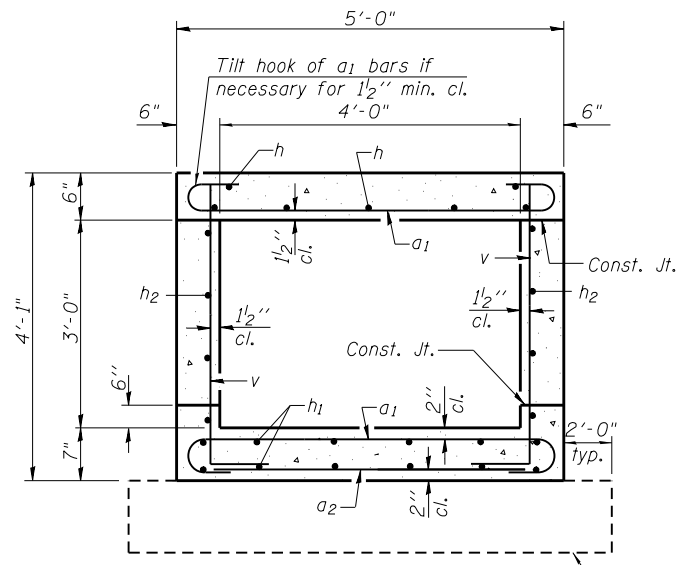
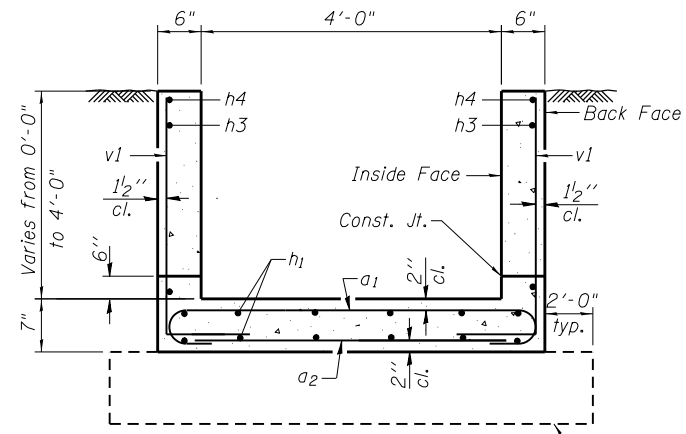


FILE NAME = W:\Projects\2010\100120 PTB 157\25\cadd\Structural\Drawn\03 IL 92 Culverts\Station\925+59.49\64H11-004-Culv. Extension Details.dgn
 W:\Projects\2010\100120 PTB 157\25\cadd\Structural\Drawn\03 IL 92 Culverts\Station\925+59.49\64H11-004-Culv. Extension Details.dgn



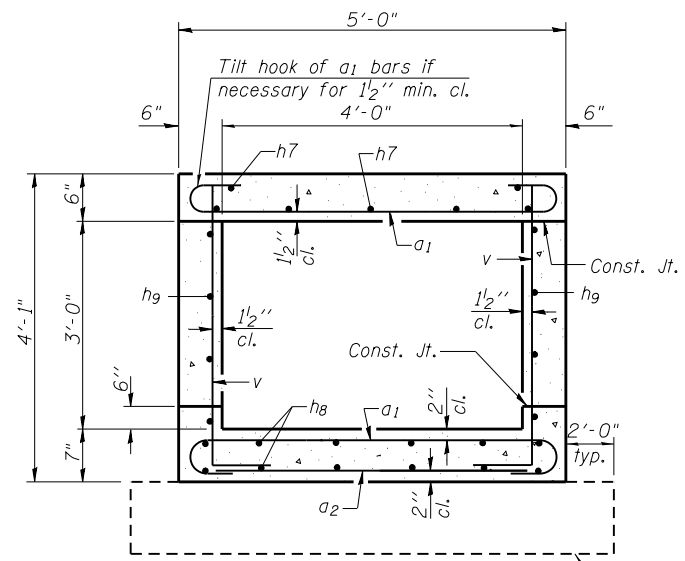
SECTION A-A

Limits of Removal & Disposal of Unsuitable Material



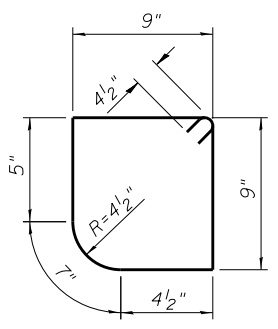
SECTION B-B

Limits of Removal & Disposal of Unsuitable Material

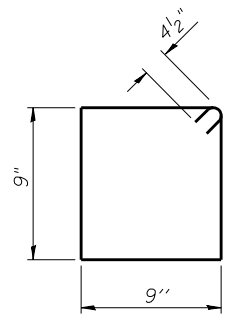


SECTION C-C

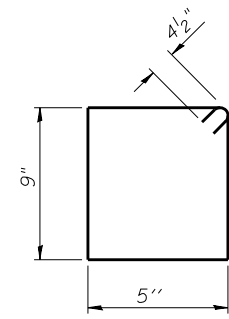
Limits of Removal & Disposal of Unsuitable Material



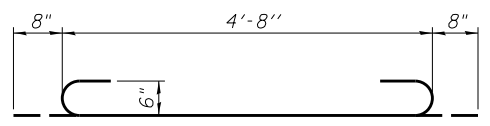
BAR s



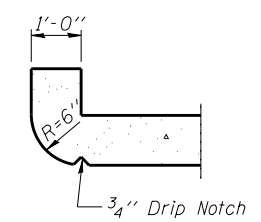
BAR s2



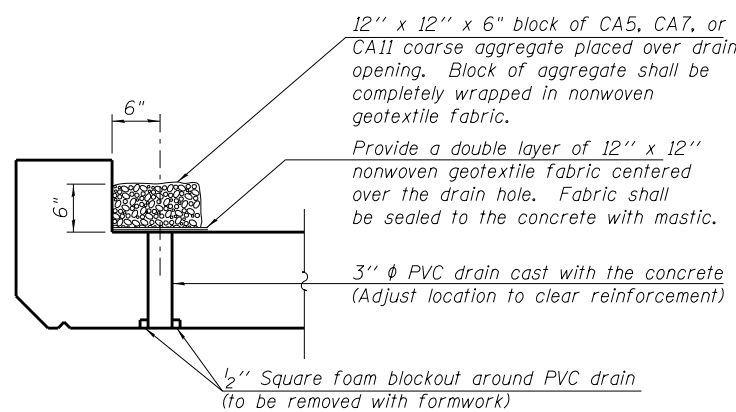
BAR s1



BAR a1

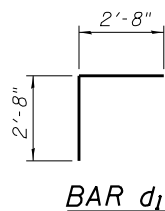


SECTION THRU HEADWALL
(Up Stream End Only)

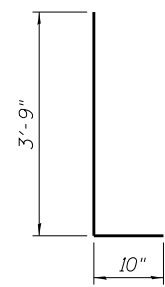


DRAIN DETAIL

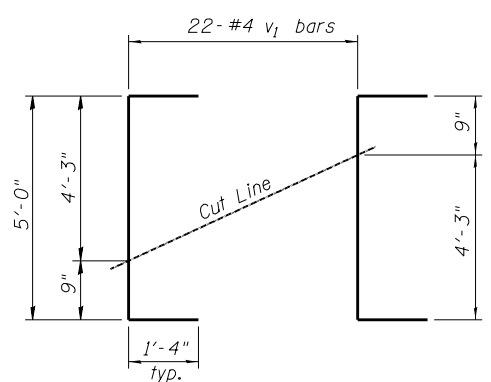
(All costs associated with furnishing and constructing the above drain details will not be measured for payment but shall be included in the contract unit price for the end section.)



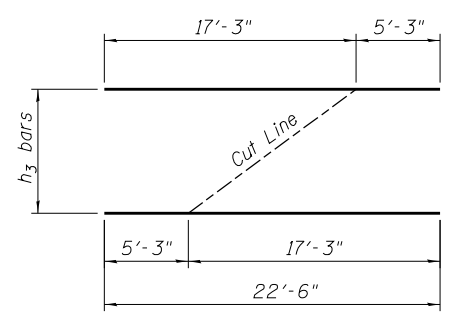
BAR d1



BAR v



BAR v1



BAR h3

BILL OF MATERIAL

(For Information Only - Rt. Extension)

Bar	No.	Size	Length	Shape
a1	62	#6	6'-0"	
a2	32	#4	4'-8"	—
a3	12	#6	4'-8"	—
b	3	#4	4'-8"	—
d1	5	#4	5'-4"	
h	7	#6	6'-9"	—
h1	10	#4	22'-8"	—
h2	6	#5	6'-9"	—
h3	4	#5	22'-6"	—
h4	2	#5	16'-3"	—
h5	6	#5	2'-8"	—
h6	8	#6	2'-3"	—
s	5	#4	3'-9"	
s1	10	#4	3'-1"	
s2	5	#4	3'-9"	
v	28	#4	4'-7"	
v1	22	#4	7'-8"	
DESCRIPTION		UNIT	QTY.	
Concrete Box Culverts		Cu. Yd.	5.6	
Reinforcement Bars		Pound	1,440	

BILL OF MATERIAL

(For Information Only - Lt. Extension)

Bar	No.	Size	Length	Shape
a1	63	#6	6'-0"	
a2	32	#4	4'-8"	—
a3	12	#6	4'-8"	—
b	3	#4	4'-8"	—
d1	5	#4	5'-4"	
h3	4	#5	22'-6"	—
h4	2	#5	16'-3"	—
h5	6	#5	2'-8"	—
h6	8	#6	2'-3"	—
h7	7	#6	7'-3"	—
h8	10	#4	23'-2"	—
h9	6	#5	7'-3"	—
s1	10	#4	3'-1"	
s2	5	#4	3'-9"	
v	28	#4	4'-7"	
v1	22	#4	7'-8"	
DESCRIPTION		UNIT	QTY.	
Concrete Box Culverts		Cu. Yd.	5.8	
Reinforcement Bars		Pound	1,460	