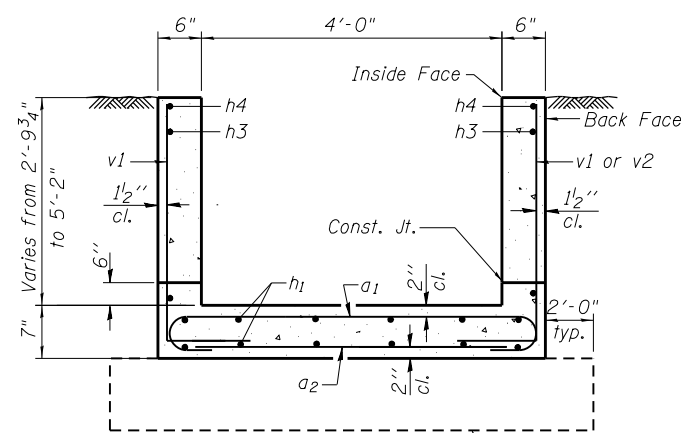


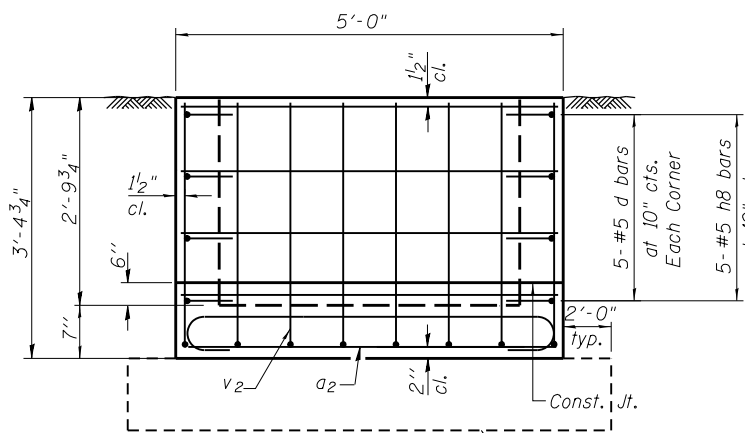
SECTION A-A

Limits of Removal & Disposal of Unsuitable Material for Structures



SECTION B-B

Limits of Removal & Disposal of Unsuitable Material for Structures

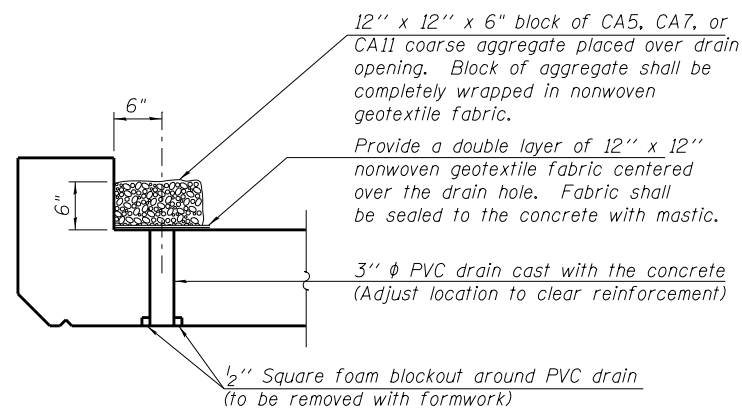


VIEW C-C

Limits of Removal & Disposal of Unsuitable Material for Structures

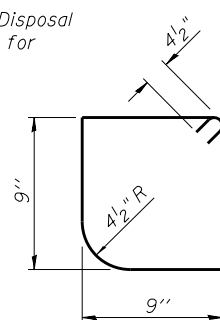
BILL OF MATERIAL
(For Information Only)

Bar	No.	Size	Length	Shape
a ₁	48	#6	6'-0"	
a ₂	23	#4	4'-8"	
a ₃	12	#6	4'-8"	
d	10	#5	2'-0"	
h	7	#6	6'-3"	
h ₁	10	#4	16'-1"	
h ₂	8	#5	6'-5"	
h ₃	8	#5	12'-2"	
h ₄	2	#5	10'-4"	
h ₅	2	#5	7'-3"	
h ₆	2	#5	9'-2"	
h ₈	5	#5	4'-8"	
h ₉	8	#5	2'-8"	
h ₁₀	10	#6	2'-3"	
h ₁₆	8	#5	3'-0"	
s	5	#4	3'-9"	
s ₁	10	#4	3'-1"	
v	24	#4	5'-9"	
v ₁	13	#4	11'-3"	
v ₂	8	#4	4'-4"	
DESCRIPTION	UNIT	QTY.		
Concrete Box Culverts	Cu. Yd.	5.8		
Reinforcement Bars	Pound	1,340		

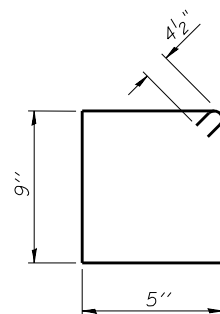


DRAIN DETAIL

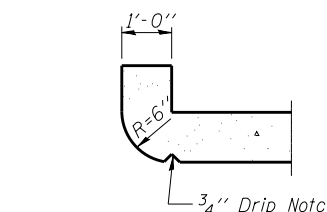
(All costs associated with furnishing and constructing the above drain details will not be measured for payment but shall be included in the contract unit price for the end section.)



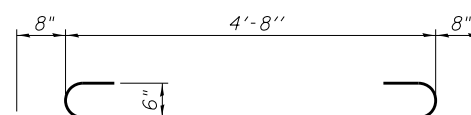
BAR s



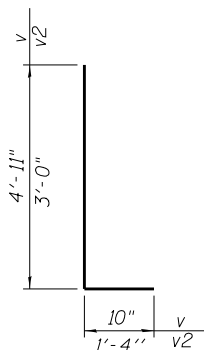
BAR s₁



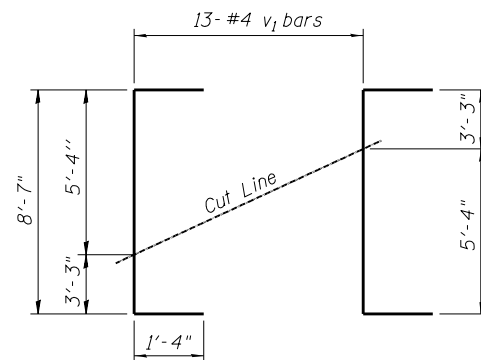
SECTION THRU HEADWALL
(Up Stream End Only)



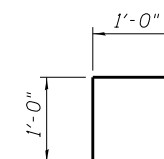
BAR a₁



BARS v & v₂



BAR v₁ FIELD CUTTING DIAGRAM



BAR d

FILE NAME = W:\Projects\2010\100120 PTB 157\25\cadd\Structural\Dgn\W0 #3 IL 92 Culverts\Station975+67.77\Final_Submittal_13.0320\975+67.77-64H1-003-Drp_Box_Details.dgn

USER NAME = hferstl	DESIGNED - AEU	REVISED -
PLOT SCALE =	CHECKED - DLS	REVISED -
PLOT DATE = 3/20/2013	DRAWN - AWH	REVISED -
	CHECKED - AEU	REVISED -

F.A.P. RTE.	SECTION	COUNTY	TOTAL SHEETS	SHEET NO.
599	(83MFT & 103MFT)W	ROCK ISLAND	340	201
CONTRACT NO. 64H11				
FED. ROAD DIST. NO.		ILLINOIS FED. AID PROJECT		