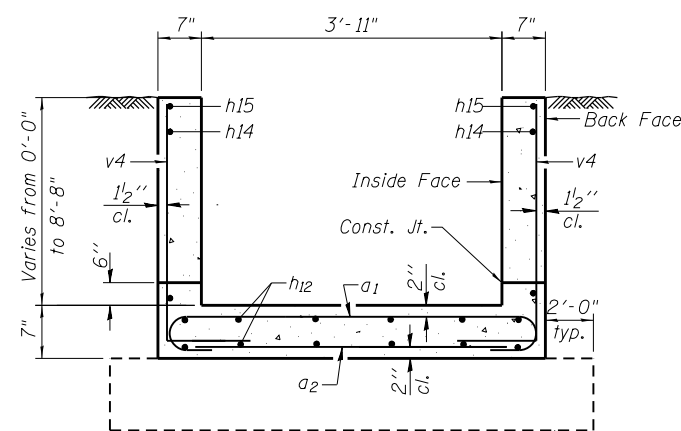


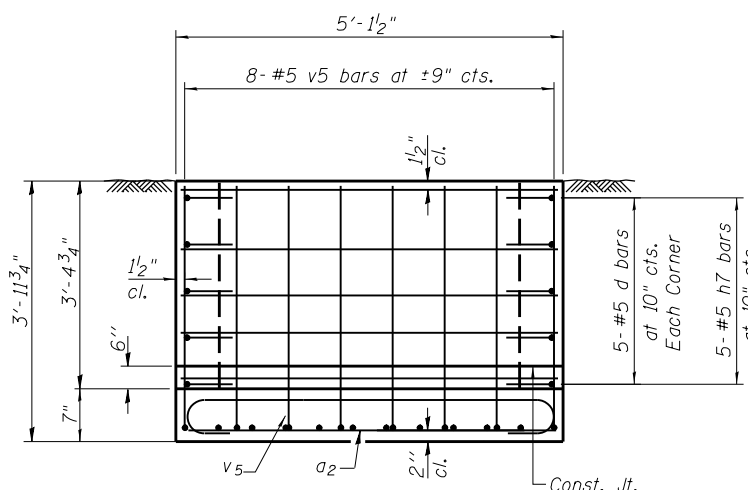
SECTION A-A

Limits of Removal & Disposal of Unsuitable Material for Structures



SECTION B-B

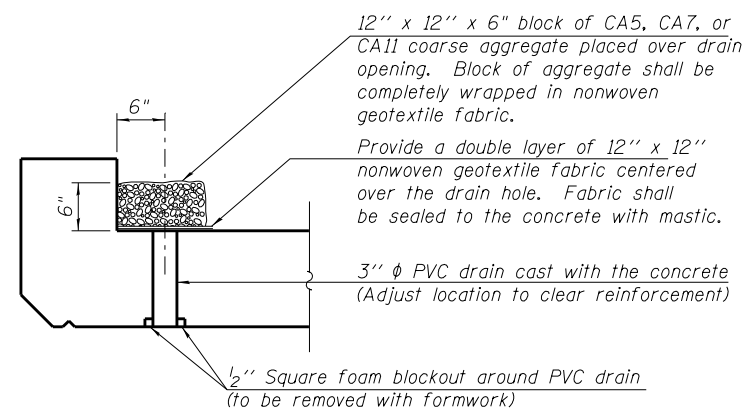
Limits of Removal & Disposal of Unsuitable Material for Structures



VIEW C-C

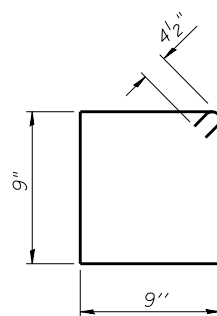
BILL OF MATERIAL
(For Information Only)

Bar	No.	Size	Length	Shape
a ₁	142	#6	6'-0"	
a ₂	62	#4	4'-8"	
a ₃	8	#6	4'-8"	
b	3	#4	4'-8"	
d	10	#5	2'-0"	
d ₁	5	#4	5'-4"	
h ₇	5	#5	4'-9"	
h ₉	8	#5	2'-8"	
h ₁₀	10	#6	2'-3"	
h ₁₁	7	#6	23'-8"	
h ₁₂	20	#4	23'-7"	
h ₁₃	16	#5	23'-10"	
h ₁₄	9	#5	28'-8"	
h ₁₅	2	#5	22'-10"	
s ₁	5	#4	3'-1"	
s ₂	5	#4	3'-9"	
v ₃	72	#5	9'-2"	
v ₄	29	#5	12'-2"	
v ₅	8	#5	4'-11"	
DESCRIPTION		UNIT	QTY.	
Concrete Box Culverts		Cu. Yd.	20.1	
Reinforcement Bars		Pound	4,060	

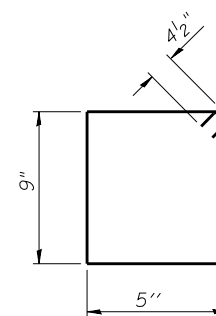


DRAIN DETAIL

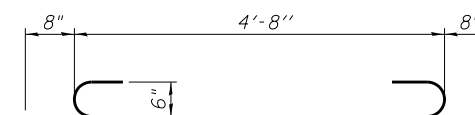
(All costs associated with furnishing and constructing the above drain details will not be measured for payment but shall be included in the contract unit price for the end section.)



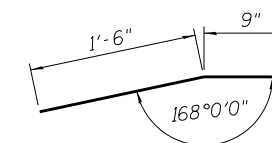
BAR s₂



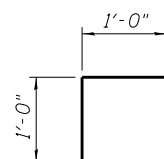
BAR s₁



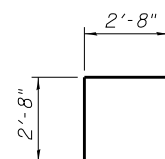
BAR a₁



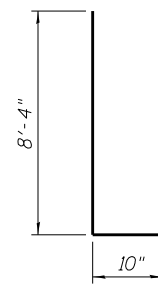
BAR h₁₀



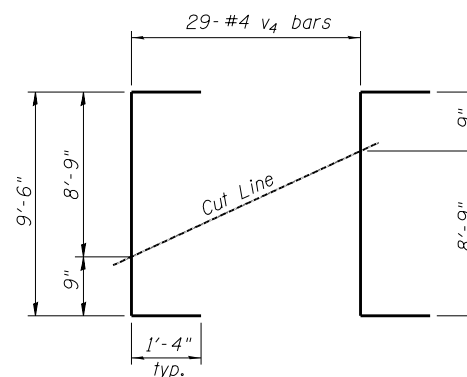
BAR d



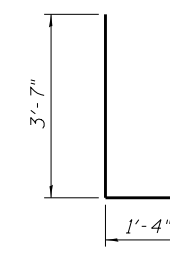
BAR d₁



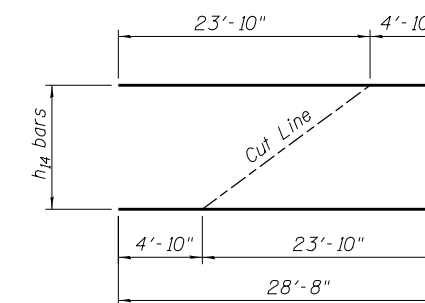
BAR v₃



BAR v₄



BAR v₅



BAR h₁₄

FILE NAME = W:\Projects\2010\100120 PTB 157\25\cadd\Structural\Dgn\MO #3 IL 92 Culverts\Station975+67.77\Final_Submittal_13.03.2010_975+67.77-64H1-006-Culv_Extension_Details.dgn

USER NAME = hferstl	DESIGNED - AEU	REVISED -
PLOT SCALE =	CHECKED - DLS	REVISED -
PLOT DATE = 3/20/2013	DRAWN - AH	REVISED -
	CHECKED - AEU	REVISED -

F.A.P. RTE.	SECTION	COUNTY	TOTAL SHEETS	SHEET NO.
599	(83MFT & 103MFT)W	ROCK ISLAND	340	204
CONTRACT NO. 64H11				
FED. ROAD DIST. NO. ILLINOIS FED. AID PROJECT				