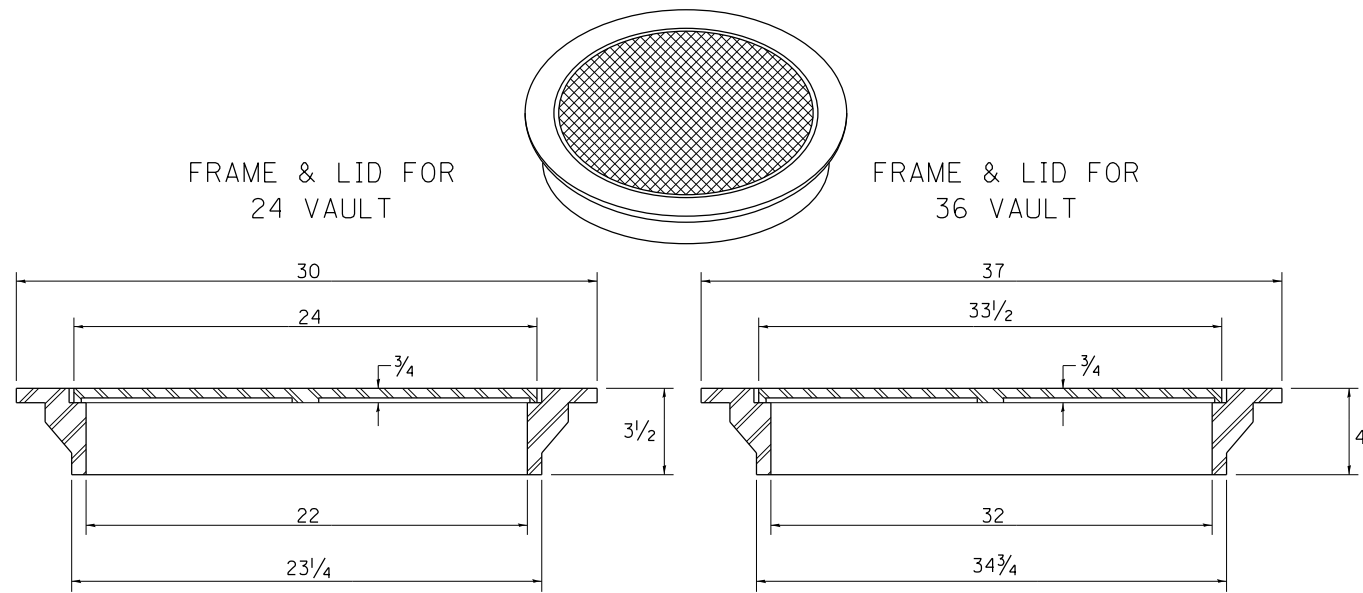
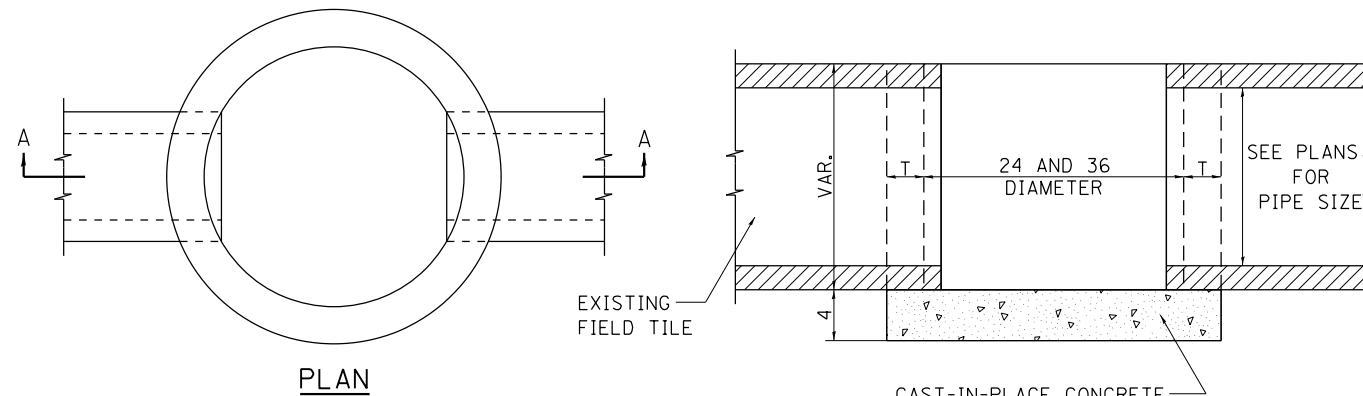


FIELD TILE JUNCTION VAULTS 24 AND 36 DIA.



TOTAL WEIGHT: 146 LBS.

TOTAL WEIGHT: 280 LBS.



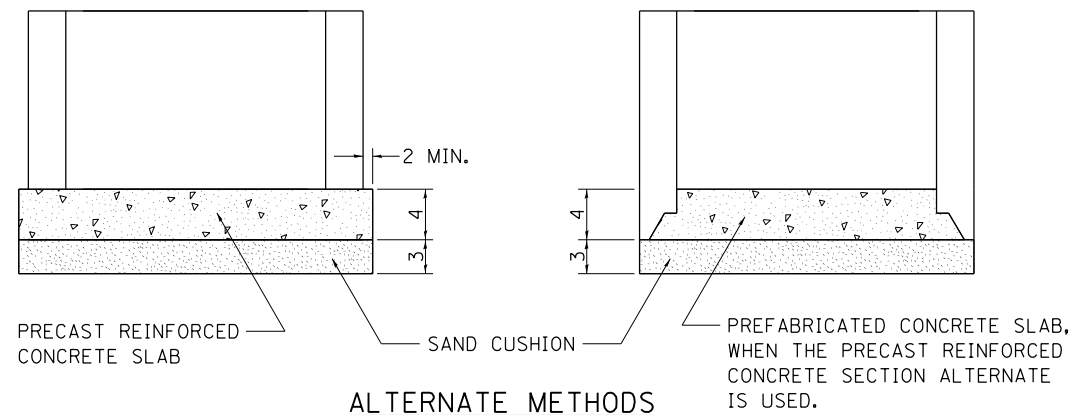
PLAN

SECTION A-A

ALTERNATE MATERIALS FOR WALLS	T
BRICK MASONRY	8
CAST-IN-PLACE CONCRETE	6
CONCRETE MASONRY UNIT	5
PRECAST REINFORCED CONCRETE SECTION	3

NOTE: THE FRAME AND LID IS REQUIRED ON ALL JUNCTION VAULTS.

ALL DIMENSIONS ARE IN INCHES UNLESS OTHERWISE NOTED.

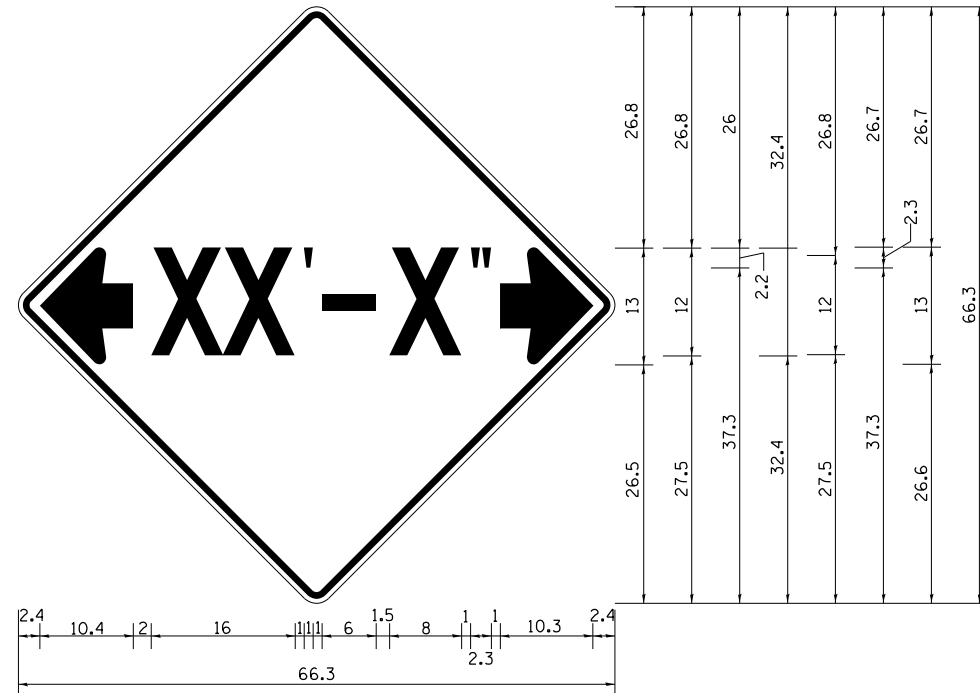


PRECAST REINFORCED CONCRETE SLAB

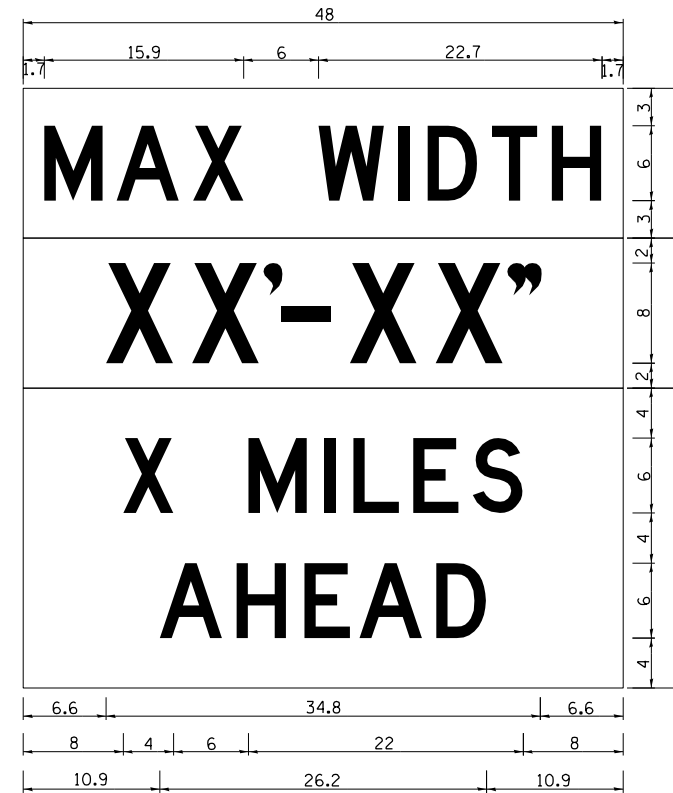
ALTERNATE METHODS

REVISED - 10-14-11

INFORMATIONAL WARNING SIGN (FOR NARROW TRAVEL LANES)



NOTES
W12-2 - Horizontal Clearance Sign
48.0" across sides, 1.9" Radius,
0.8" Border, 0.5" Indent, Black on
Orange; Standard Arrow Custom
10.4" X 8.1" 180° Black 11 Inch
D Series Lettering; Standard Arrow
Custom 10.4" X 8.1" 0°



W12-1103 (Width is 8D);
No border, Black on White;
[MAX WIDTH] D;

No border, Black on Orange;
[XX'-XX'] D;

No border, Black on White;
[X MILES] D; [AHEAD] D;

All work to furnish and install these signs shall be included in the cost of the Traffic Control Standards and shall not be paid for separately.

ALL DIMENSIONS ARE IN INCHES UNLESS OTHERWISE NOTED.

REVISION	DATE	DESCRIPTION	F.A.P. RTE.	SECTION	COUNTY	TOTAL SHEETS	SHEET NO.
REVISED -	5-15-09		599	(83MFT & 103MFT)W	ROCK ISLAND	340	215
REVISED -							
REVISED -							
REVISED -							

REGION 2 / DISTRICT 2 STANDARD

SCALE: 100.0000' / 1" SHEET NO. OF SHEETS STA. TO STA.

FED. ROAD DIST. NO. ILLINOIS FED. AID PROJECT CONTRACT NO. 64H11