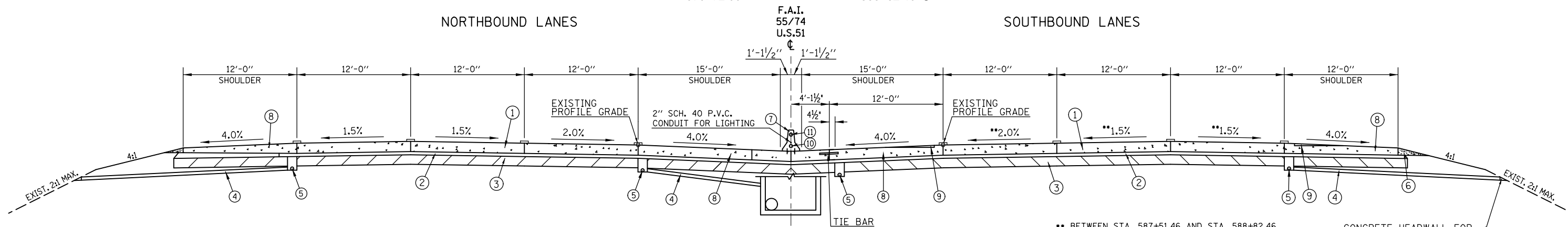


EXISTING TYPICAL CROSS SECTION ⑤

STATION ④ 555+00.00 TO STATION 566+69.00
 (566+69.00 (570+72.00) 588+82.46 ⑥
 SN 057-0010 OMISSION



LEGEND

- | | | |
|--|--|--|
| ① EXISTING CONTINUOUSLY REINFORCED P.C.C. PAVEMENT 12 1/2" | ⑥ EXISTING AGGREGATE SHOULDER TYPE B, 6" | ⑫ EXISTING HMA SHOULDER, 8" |
| ② EXISTING STABILIZED SUB-BASE 4" | ⑦ EXISTING CONCRETE BARRIER | ⑬ CONCRETE SHOULDER CURB |
| ③ EXISTING PROCESSING LIME MODIFIED SOIL 12" | ⑧ EXISTING P.C.C. SHOULDER 12 1/2" | ⑭ EXISTING CONTINUOUSLY REINFORCED P.C.C. PAVEMENT 13 1/2" |
| ④ EXISTING PIPE UNDERDRAIN 4" (SPECIAL) | ⑨ EXISTING P.C.C. SHOULDER RUMBLE STRIP | ⑮ EXISTING P.C.C. SHOULDER 13 1/2" |
| ⑤ EXISTING PIPE UNDERDRAIN 4" | ⑩ 4" P.V.C. EMBEDDED IN STRUCTURE | |
| | ⑪ 2" P.V.C. CONDUIT FOR LIGHTING | |

** BETWEEN STA. 587+51.46 AND STA. 588+82.46 PAVEMENT CROSS SLOPES WILL TRANSITION TO 0.0% SLOPE AT STA. 588+82.46.

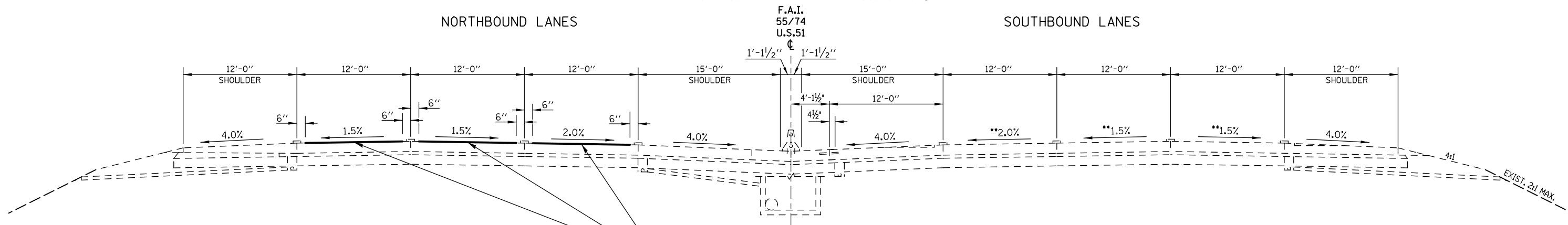
CONCRETE HEADWALL FOR PIPE DRAIN (TYP.)

NOTES

- ① LONGITUDINAL CONSTRUCTION JOINT WITH GROUTED-IN-PLACE TIE BAR STD 420001 TYPICAL FOR ALL LONGITUDINAL CONSTRUCTION JOINTS.

PROPOSED TYPICAL CROSS SECTION ⑤

STATION ④ 555+00.00 TO STATION 566+69.00
 (566+69.00 (570+72.00) 588+82.46 ⑥
 SN 057-0010 OMISSION



** BETWEEN STA. 587+51.46 AND STA. 588+82.46 PAVEMENT CROSS SLOPES WILL TRANSITION TO 0.0% SLOPE AT STA. 588+82.46.

FILE NAME =	USER NAME = bergana_j	DESIGNED -	REVISED -
et:\pwork\pwork\bergena_j\0337583\0570A25-sh-typical.dgn		DRAWN -	REVISED -
	PLOT SCALE = 100.0000' / 1"	CHECKED -	REVISED -
	PLOT DATE = 4/23/2013	DATE -	REVISED -

**STATE OF ILLINOIS
DEPARTMENT OF TRANSPORTATION**

TYPICAL SECTIONS	
SCALE:	SHEET NO. 5 OF 6 SHEETS
STA. 555+00.00 TO STA. 588+82.46	

F.A.I. RTE.	SECTION	COUNTY	TOTAL SHEETS	SHEET NO.
	HSIP 2013-1	MCLEAN	11	8
CONTRACT NO. 70A25				
ILLINOIS FED. AID PROJECT				

• F.A.I. 55, F.A.I. 74, & U.S. 51