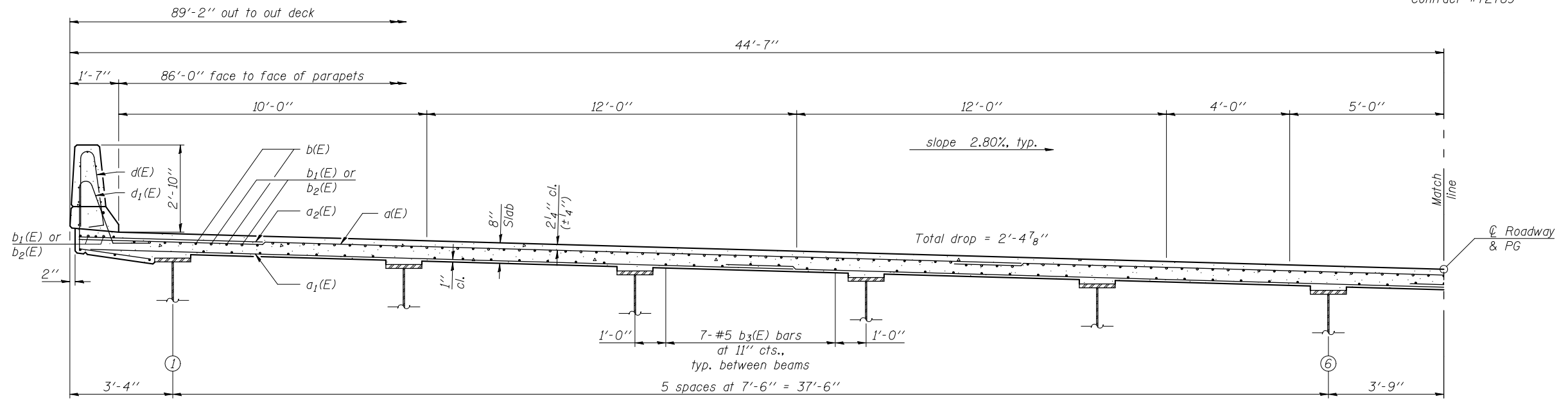


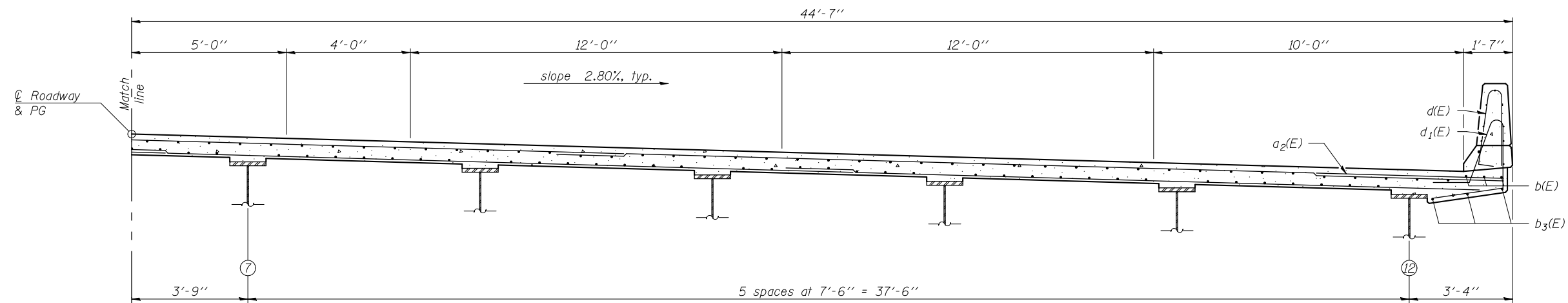
STATE OF ILLINOIS
DEPARTMENT OF TRANSPORTATION

ROUTE NO.	SECTION	COUNTY	TOTAL SHEETS	SHEET NO.	SHEET NO. 16 52 SHEETS
F.A.U. 7706	23(B-1)	LOGAN	179	100	
FED. ROAD DIST. NO. 7	ILLINOIS	FED. AID PROJECT-			

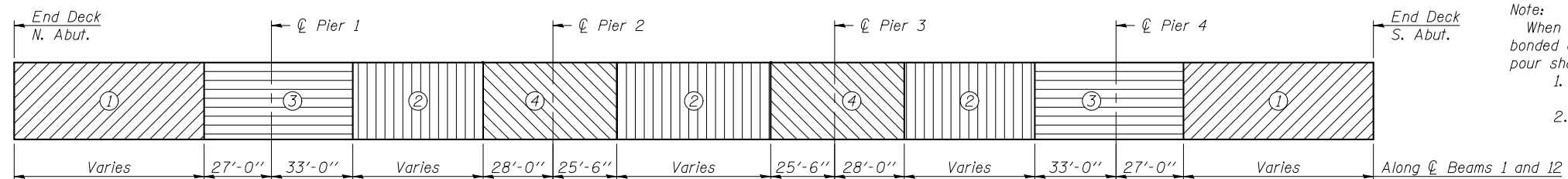
Contract #72789



NEAR PIER
PART CROSS SECTION
(Looking South)



NEAR MIDSPAN
PART CROSS SECTION
(Looking South)



Note:
When the deck pour is stopped for the day at one or more of the transverse bonded construction joints in the deck pouring sequence as shown, the next pour shall not be made until both of the following are met:
1. At least 72 hours shall have elapsed from the end of the previous pour.
2. The concrete strength shall have attained a minimum flexural strength of 650 psi or a minimum compressive strength of 3500 psi.

DESIGNED	JJD
CHECKED	EML
DRAWN	JJD
CHECKED	EML

SLAB POURING SEQUENCE



SUPERSTRUCTURE
F.A.U. ROUTE 7706 - SECTION 23(B-1)
LOGAN COUNTY
STATION 99+46.00
STRUCTURE NO. 054-0512