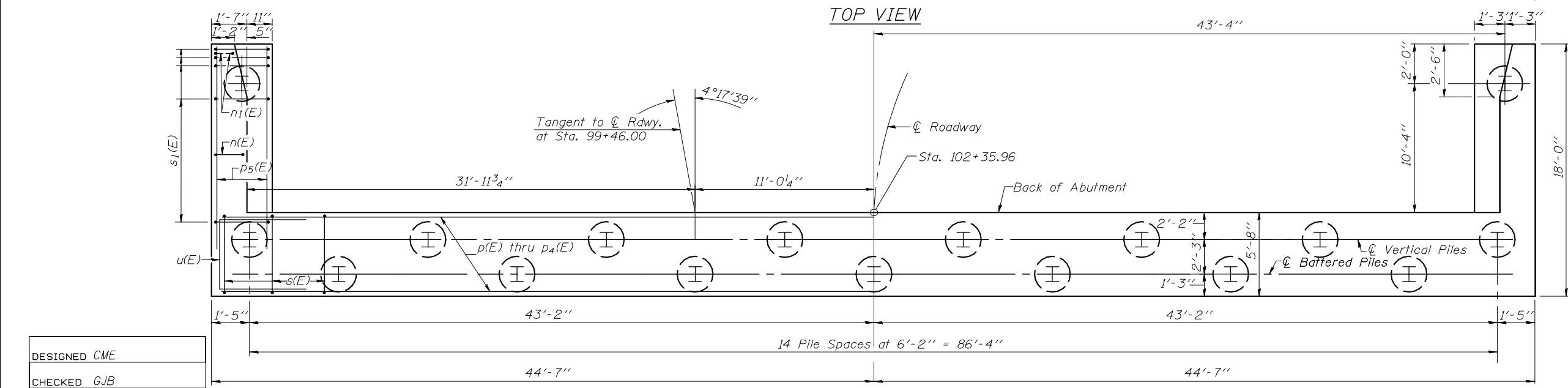
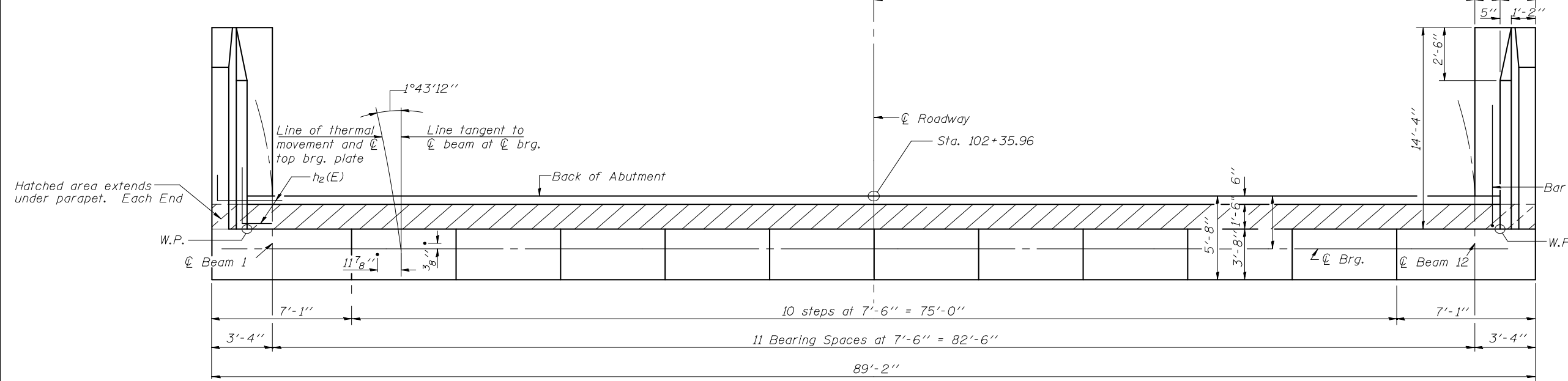
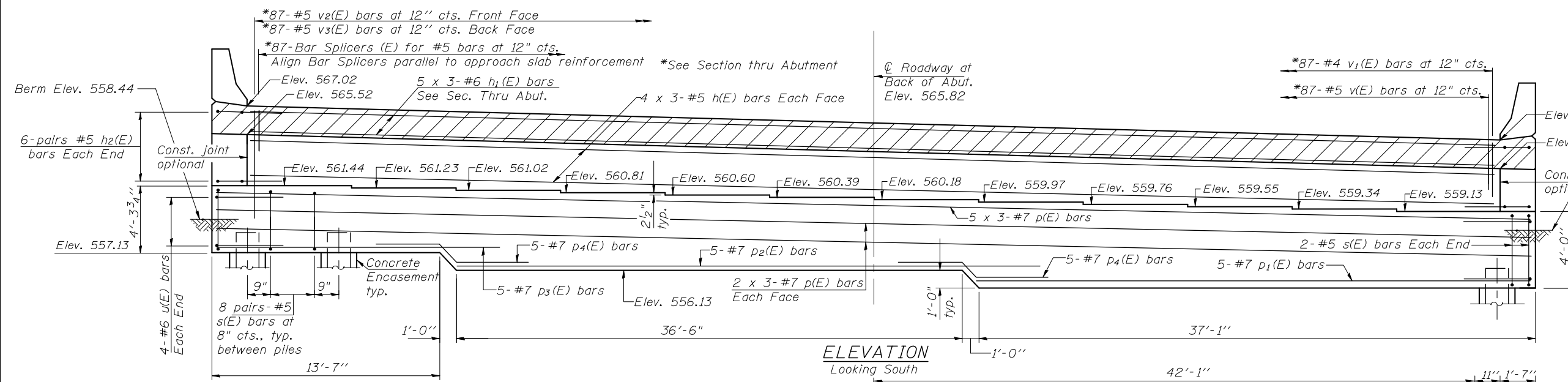


Contract #72789



Notes:  
 Hatched area to be poured after superstructure false work has been removed. Quantity of concrete included with Concrete Superstructure. Space reinforcement in cap to miss anchor bolts. Pour steps monolithically with cap. Concrete Sealer shall be applied to the backwall, bridge seat and front face of abutment. For Concrete Encasement details, see sheet 45 of 52. See Sheet 35 of 52 for wingwall details. See Sheet 36 of 52 for Section thru Abutment, bar details and Bill of Material. Bars indicated thus 5x3-#6 etc. indicates 5 lines of bars with 3 lengths per line

**MIN. BAR LAPS**  
 #5 bar = 3'-8"  
 #6 bar = 4'-5"  
 #7 bar = 5'-10"

**PILE DATA**  
 Type: HP12x53  
 Nominal Required Bearing: 419 kips  
 Factored Resistance Available: 209 kips  
 Est. Length: 46 feet  
 No. Production Piles: 16  
 No. Test Piles: 1

**SOUTH ABUTMENT**  
 F.A.U. ROUTE 7706 - SECTION 23(B-1)  
 LOGAN COUNTY  
 STATION 99+46.00  
 STRUCTURE NO. 054-0512

DESIGNED CME  
 CHECKED GJB  
 DRAWN TFG  
 CHECKED MCB

**COOMBE-BLOXDORF P.C.**  
 Engineers / Land Surveyors  
 Springfield, Illinois  
 Design Firm License No. 184-002708

PLAN-PILE CAP