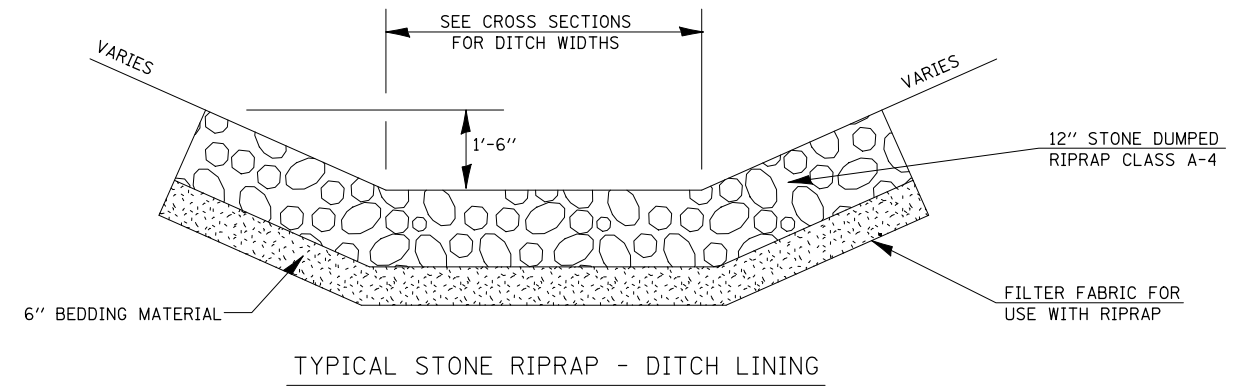
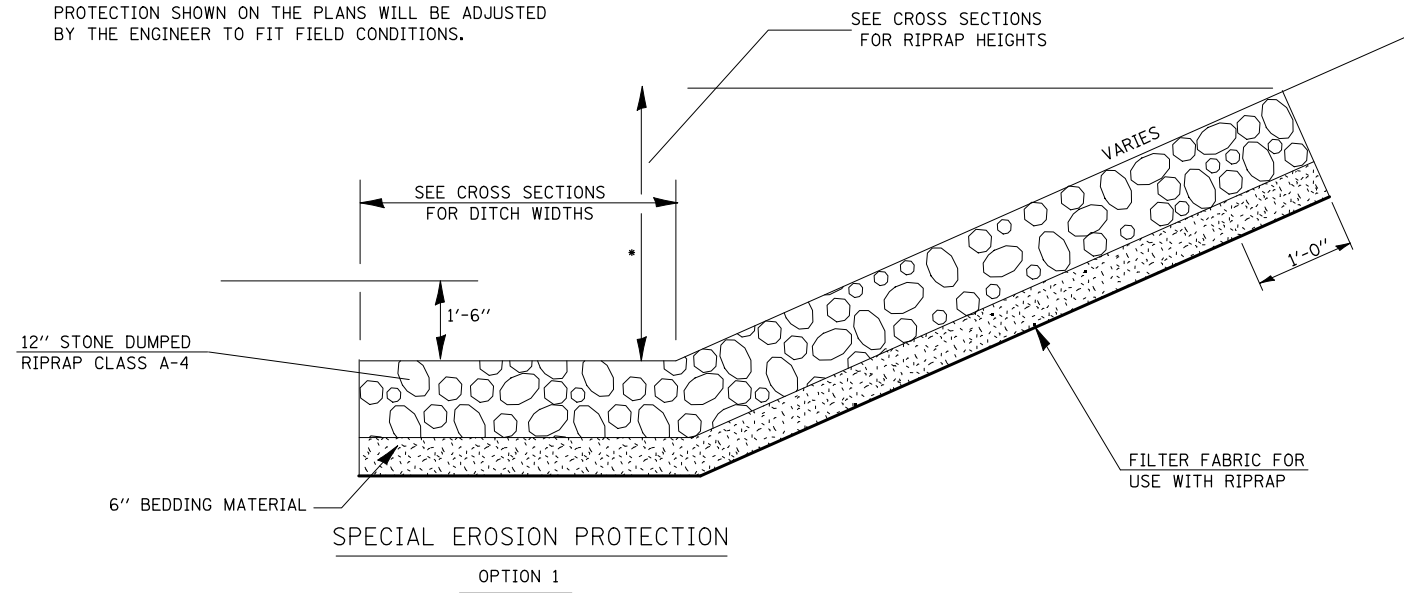
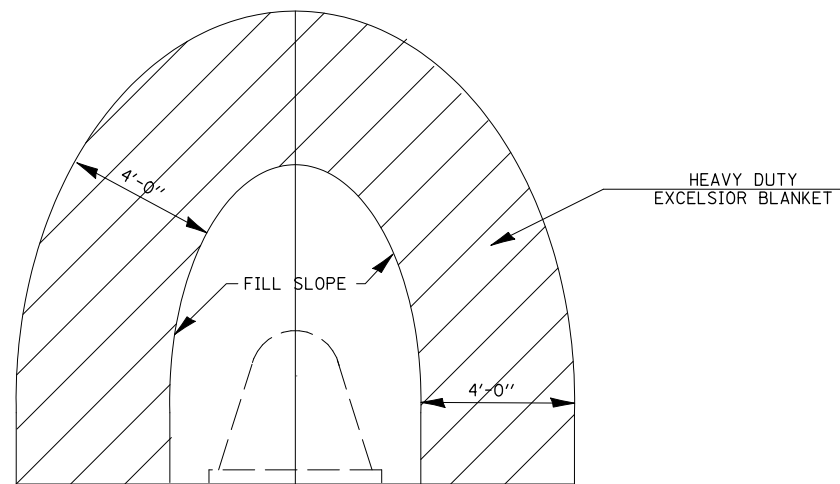


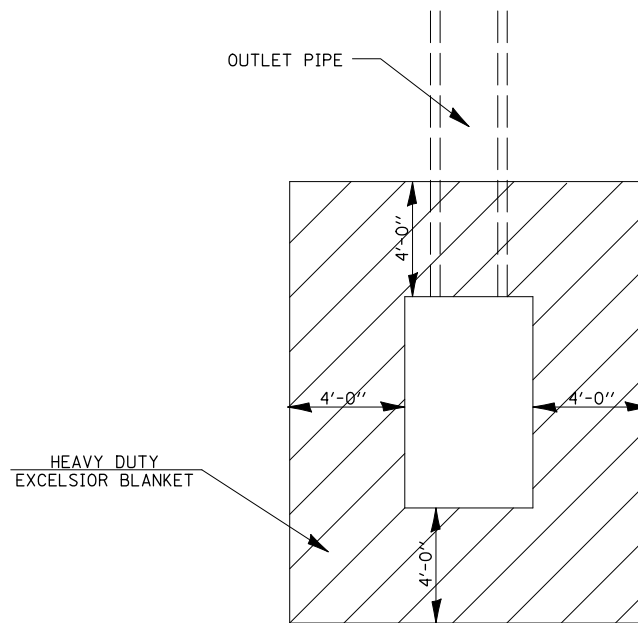
THE BACKSLOPE PROTECTION SHALL BE CENTERED ON THE NATURAL SWALES.  
THE LOCATIONS AND DIMENSIONS OF THE BACKSLOPE PROTECTION SHOWN ON THE PLANS WILL BE ADJUSTED BY THE ENGINEER TO FIT FIELD CONDITIONS.



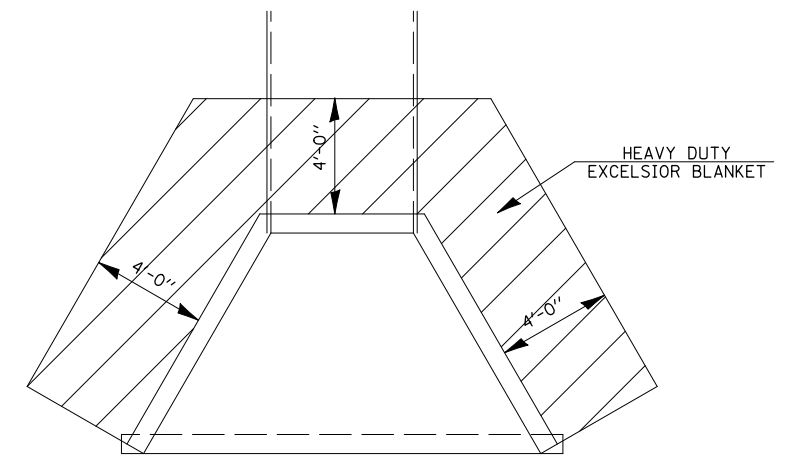
**SPECIAL EROSION PROTECTION**  
\*THE LIMITS OF THE RIPRAP ARE TO BE DETERMINED IN THE FIELD BY THE ENGINEER.



**HEAVY DUTY EXCELSIOR BLANKET AROUND FLARED END SECTION**  
STD 542301



**HEAVY DUTY EXCELSIOR BLANKET AROUND HEADWALL FOR PIPE UNDERDRAIN**  
STD 601101



**HEAVY DUTY EXCELSIOR BLANKET AROUND HEADWALLS & CULVERT WINGWALLS**

LAST SAVED = 5/23/2013  
PEN TABLE = 10:14:13  
PLOT DRIVER = TR-18pdf-Block-Half.plt

FILE NAME =	USER NAME = jepettibone	DESIGNED -	REVISED -
\\06103\cad\l\plans\029.D672789-Sht-Details-Misc.dgn		DRAWN -	REVISED -
	PLOT SCALE = 100.0000' / IN.	CHECKED -	REVISED -
	PLOT DATE = 5/23/2013 10:41:03 AM	DATE -	REVISED -

**STATE OF ILLINOIS**  
**DEPARTMENT OF TRANSPORTATION**

MISCELLANEOUS DETAILS			
RIPRAP DETAILS, HEAVY DUTY EXCELSIOR BLANKET APPLICATIONS			
SCALE: NONE	SHEET NO. 2 OF 8 SHEETS	STA.	TO STA.

F.A.U. RTE.	SECTION	COUNTY	TOTAL SHEETS	SHEET NO.
7706	23(B-1)	LOGAN	179	138
BUS. LOOP 55 OVER SALT CREEK			CONTRACT NO. 72789	
FED. ROAD DIST. NO.		ILLINOIS FED. AID PROJECT		