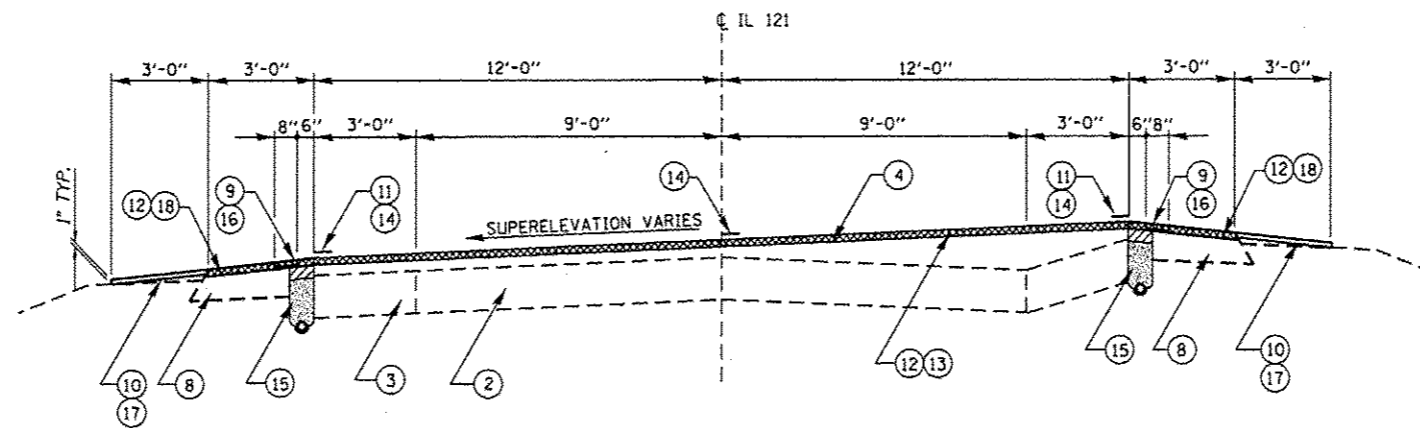


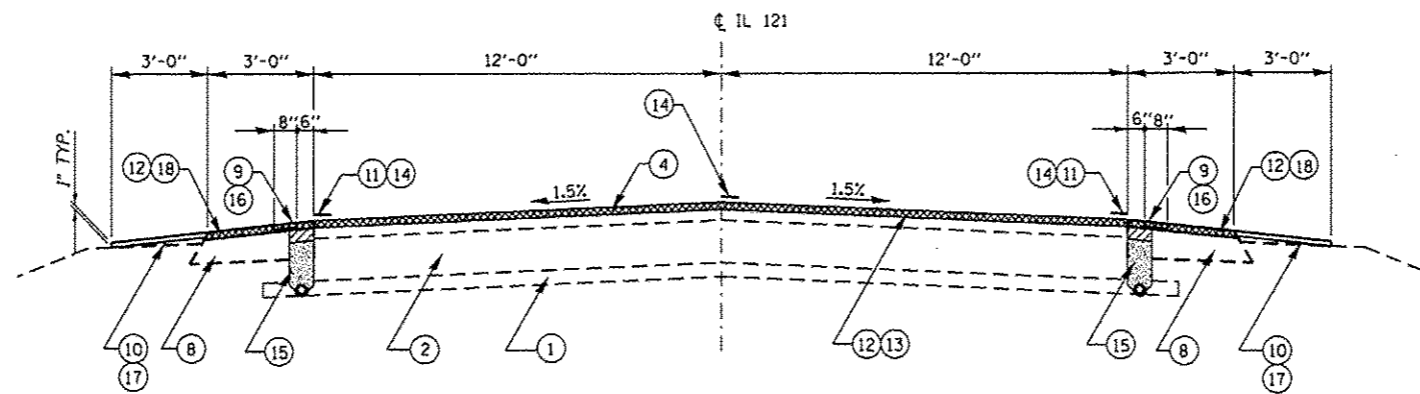
TYPICAL SECTION #1

STA. 323+14.0 TO STA. 333+39.0



TYPICAL SECTION #2

STA. 333+39.0 TO STA. 336+80.1 - CURVE 503 - S.E.=5.6%



TYPICAL SECTION #3

STA. 346+38.2 TO STA. 376+42.6

LEGEND

- ① EXIST. SUB-BASE GRANULAR MATERIAL
- ② EXIST. PCC BASE COURSE (9")
- ③ EXIST. PCC BASE COURSE WIDENING (9")
- ④ EXIST. BITUMINOUS CONCRETE SURFACE
- ⑤ EXIST. BITUMINOUS SHOULDER
- ⑧ EXIST. HOT-MIX ASPHALT SHOULDERS, 8"
- ⑨ EXIST. RUMBLE STRIPS
- ⑩ EXIST. AGGREGATE SHOULDER (TYPE B)
- ⑪ EXIST. PAVEMENT MARKING LINE 5"
- ⑫ PROP. H.M.A. SURFACE REMOVAL, 1 1/2"
- ⑬ PROP. H.M.A. SURFACE COURSE, MIX C, N70, 1 1/2"
- ⑭ PROP. PAINT PAVEMENT MARKING LINE 5"
- ⑮ PROP. PIPE UNDERDRAINS 4"
- ⑯ PROP. RUMBLE STRIPS
- ⑰ PROP. AGGREGATE SHOULDER, TYPE B
- ⑱ PROP. H.M.A. SHOULDERS 1 1/2"

NOTE:
EXISTING SLOPES AND SUPERELEVATION
DATA TAKEN FROM EXISTING PLANS.

FILE NAME *	USER NAME * Shorptd	DESIGNED -	REVISED -	STATE OF ILLINOIS DEPARTMENT OF TRANSPORTATION	TYPICAL SECTIONS			F.A.P. RTE.	SECTION	COUNTY	TOTAL SHEETS	SHEET NO.
ci\pwwork\pwwork\shorptd\0341385\06xxx\shorpt-typical.dgn	DRAWN - DMS	REVISED -	REVISED -					320	(134) I-2	LOGAN	8	6
PLOT SCALE * N/A	CHECKED -	REVISED -	REVISED -		SCALE: SHEET 1 OF 2 SHEETS STA. TO STA.			CONTRACT NO. 72G13				
Default	PLOT DATE * Ap-04-2013 07:25:42AM	DATE -	REVISED -		ILLINOIS FED. AID PROJECT							