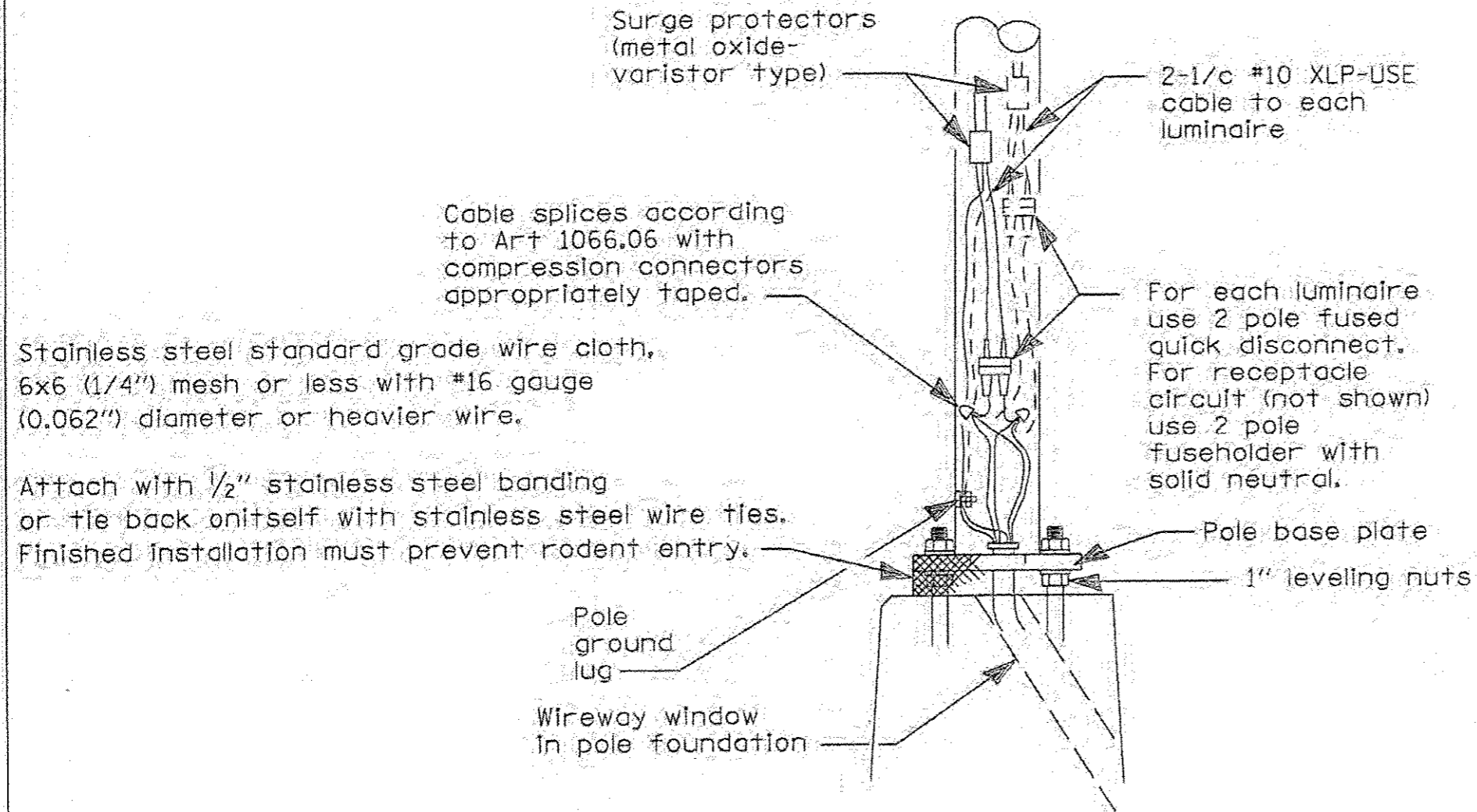


ADD THIS DETAIL TO THE PLANS



# WIRING DETAIL

NO SCALE

## GENERAL NOTES

All taped splices shall use 2 layers of electrical tape over 3 layers of rubber tape as required by the Standard Specifications. Coat the finished taped splice with bonding compound.

All cable splices shall be taped unless another method has been specifically approved by the Engineer.

For example purposes the pole is shown on an anchor base. If the pole is required to be set on a breakaway base, consult the Standard Specifications.

All dimensions are in millimeters (Inches) unless otherwise shown.

DRAFT COPY  
not for distribution

DATE	REVISIONS
7/31/08	Updated

POLE HANDHOLE WIRING

DRAFT

LGTO08A.DGN