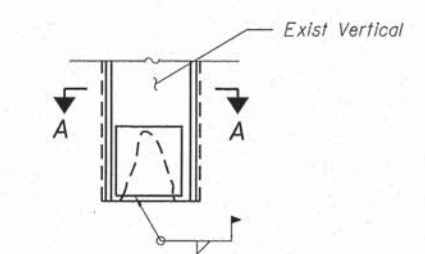
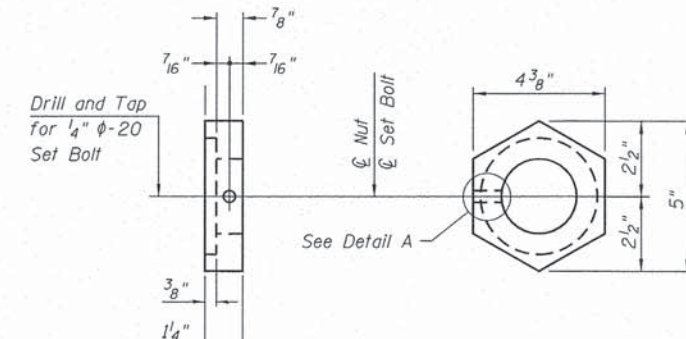
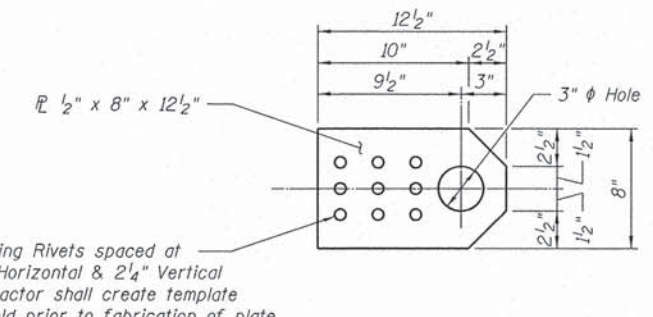
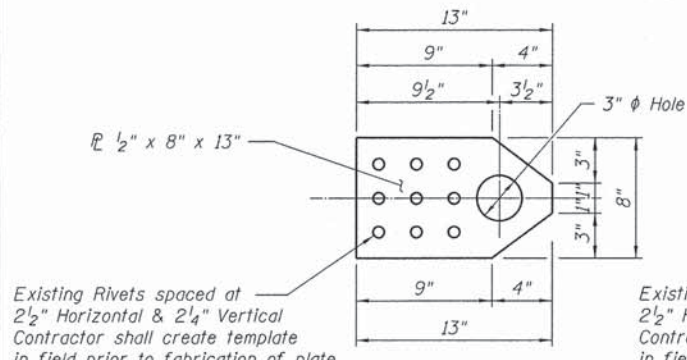
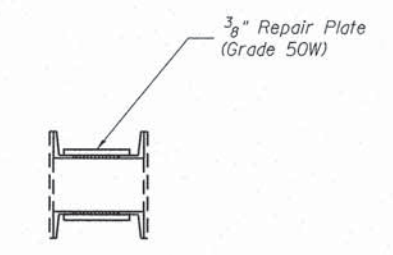


Temporary bracing shall be installed prior to removal of rivets. Temporary bracing shall hold truss in position during repairs. Cost included in FURNISHING & ERECTING STRUCTURAL STEEL.



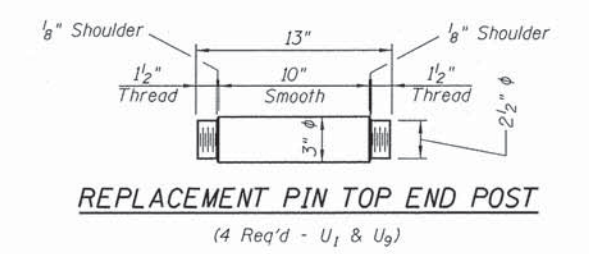
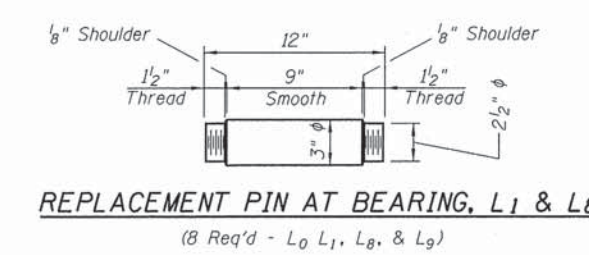
STEEL REPAIR
(At Lower Pin Connection)



SECTION A-A

BILL OF MATERIAL

ITEM	UNIT	TOTAL
Furnishing & Erecting Structural Steel	Pound	1,540
Structural Steel Removal	Pound	750
Rivet Removal & Replacement	Each	216
Structural Steel Repair	Pound	100



Notes

- Steel for Pin Plates shall conform to AASHTO M270, Grade 50W.
- Bolts for Pin Plates shall conform to ASTM A325, Type 3.
- Pins shall conform to ASTM A276, UNS 21800 (Nitronic 60 or equal), 12 threads per inch.
- Pins and Pin Plates shall conform to the minimum Charpy V-notch toughness of 25 ft-lbs at 40 degrees F.
- Pin Nuts shall be ASTM A576 Grade 12L14, Minimum Yield of 36 ksi. Tighten nuts to bring into firm contact with outside steel, back off nut 1/4 turn, and tighten set screw.
- Pin Plates, pins, nuts, bolts, and associated hardware shall be included in FURNISHING & ERECTING STRUCTURAL STEEL.
- Removal of existing rivets shall be included in RIVET REMOVAL & REPLACEMENT.
- Removal of existing steel pins and associated plates and hardware shall be included in STRUCTURAL STEEL REMOVAL.

FILE NAME = S:\P\Projects\2012 JOBS\12-16-518011 MAG Newton Bike Path\CAD\CADD Sheets\0403084-xxxx-010-Pin&PlateDetail.dgn
MODEL = MODEL
PLOT DRIVER = PLOTDRIVER



USER NAME = kchapman	DESIGNED -	REVISED Δ 7/18/13
FILE NAME = 0403084-xxxx-010-Pin&PlateDetail.dwg	4HBGKED -	REVISED
PLOT SCALE = 20x0.0000 1' = 1"	DRAWN -	REVISED
PLOT DATE = 4/11/2013	CHECKED -	REVISED

STATE OF ILLINOIS
DEPARTMENT OF TRANSPORTATION

PIN & PIN PLATE DETAILS
STRUCTURE NO. 040-3084
SHEET NO. 10 OF 16 SHEETS

TR	SECTION	COUNTY	TOTAL SHEETS	SHEET NO.
164	10-00045-00-BT	JASPER	40	25
CONTRACT NO. 95708			ILLINOIS FED. AID PROJECT	