

208 East Main Street, Suite 100
 Belleville, Illinois 62220
 618.233.5877 phone
 618.233.5877 fax
 www.kaskasia.com

Kaskasia
 Engineering Group, LLC

PROFESSIONAL REGISTRATIONS
 Illinois Professional Design Firm
 Professional Engineering Group

LICENSE NO. 184.004773
 20-5080586

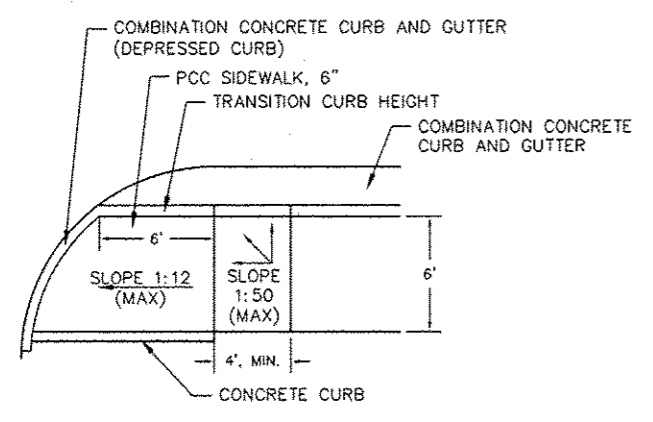
CONTRACT NO. 07531
 SEC. NO. 05-00209-00-PV

REV	DATE	DESCRIP
1	7/18	
2		
3		
4		
5		

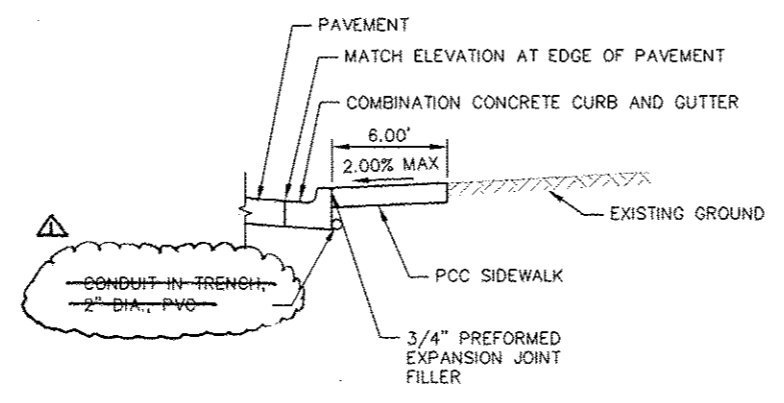
PROJECT TITLE:
MCCLINTOCK AVE. STREET IMPROVEMENTS
 CITY OF BELLEVILLE
 ST. CLAIR COUNTY, IL

SHEET TITLE:
DETAILS

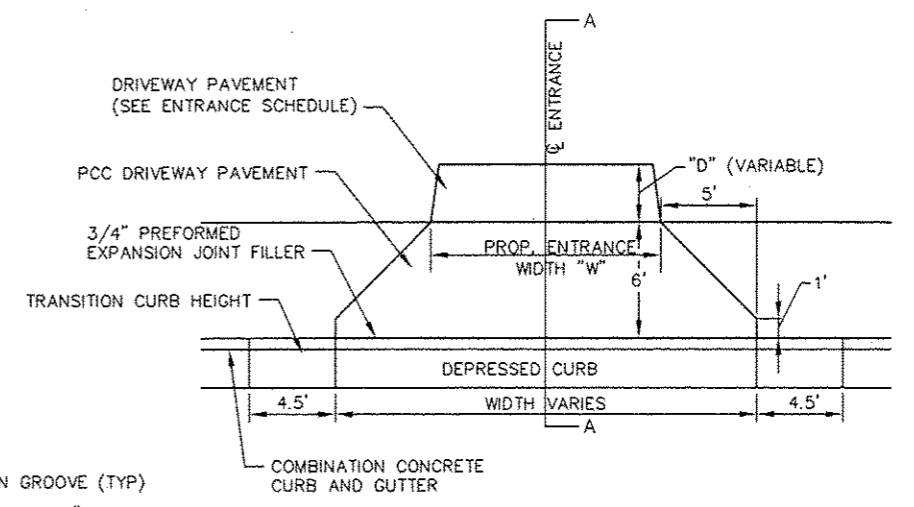
DESIGNED BY: TJR	SHEET
DRAWN BY: JLT	50
CHECKED BY: LDC	
DATE OF PRELIMINARY: 03/29/2013	
DATE OF FINAL: 05/24/2013	
SHEET NO. 50 OF 72 SHEETS	
PROJECT NUMBER 11-1041	



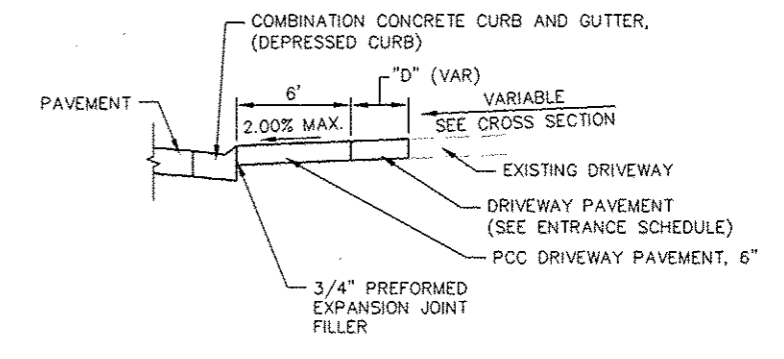
TYPICAL RAMP DETAILS AT ALLEYS
 N.T.S.



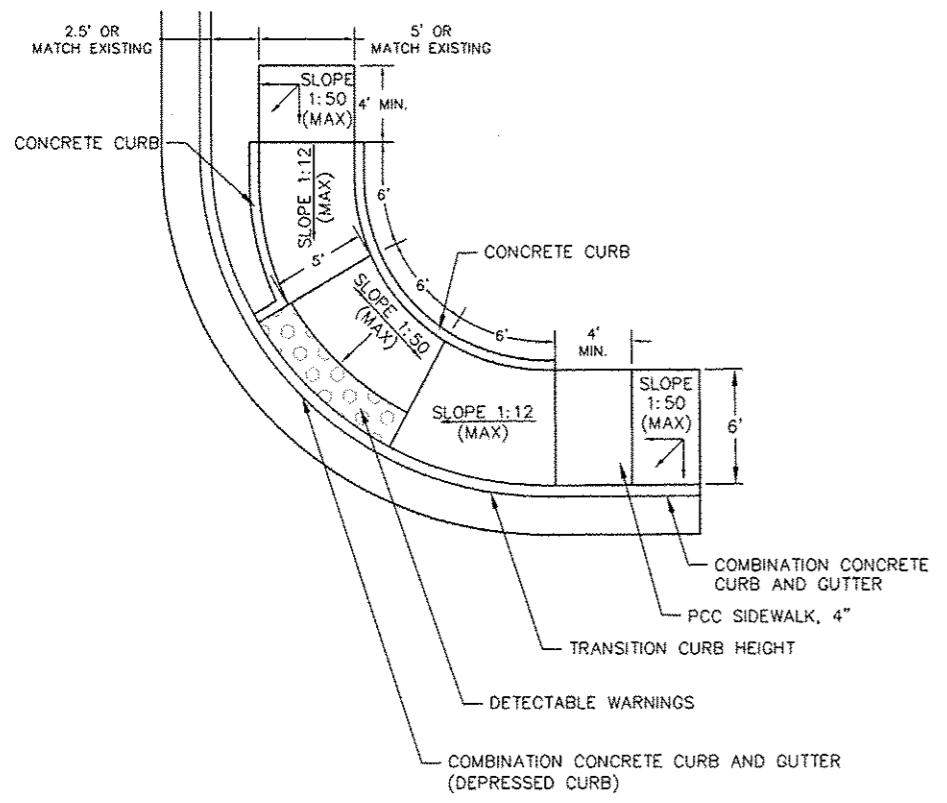
TYPICAL SECTION DETAIL
 N.T.S.



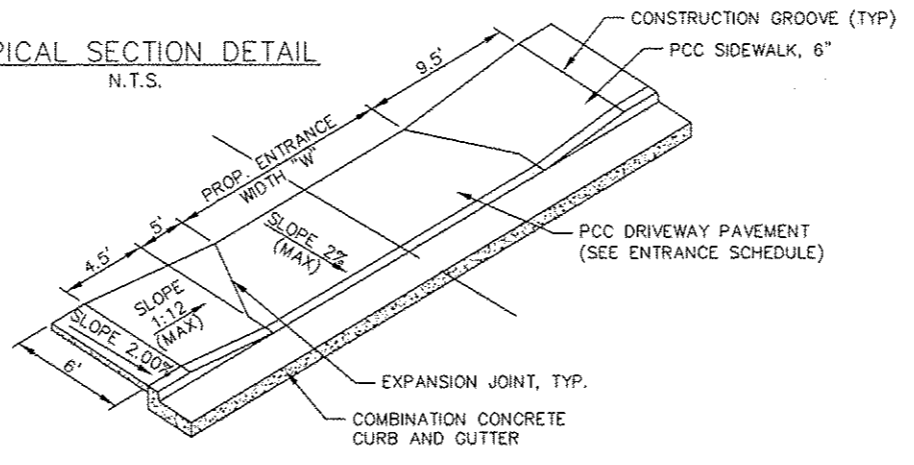
PLAN



SECTION A-A



TYPICAL RAMP DETAILS AT SIDE STREETS
 N.T.S.



TYPICAL ENTRANCE DETAIL
 N.T.S.

ENTRANCE SCHEDULE										
STATION	OFFSET	ENTRANCE TYPE	W (FOOT)	D (FOOT)	AGG BASE CSE A 4 (SQ YD)	AGG SURF CSE A 6 (SQ YD)	INCIDENTAL HMA SURF (TON)	PCC DRIVEWAY PAVT 6 (SQ YD)	PCC DRIVEWAY PAVT 8 (SQ YD)	DRIVE PAVEMENT REM (SQ YD)
MCCLINTOCK AVENUE										
01+35.14	LT	CE	12.8	3.4					16	18
01+38.01	RT	PE	10.0	1.4				13		10
04+21.98	RT	PE	10.0	11.4				24		24
04+94.34	RT	PE	10.0	3.2				15		15
05+68.24	LT	PE	12.0	3.4				17		18
07+88.32	RT	PE	12.0	9.4				24		28
09+13.24	RT	CE	35.0	13.0				78		96
09+18.09	LT	PE	10.0	4.4				17		15
09+38.79	LT	PE	14.0	3.6				19		21
10+92.98	RT	CE	26.7	3.3					32	
12+26.15	RT	PE	10.0	3.4				15		
15+29.11	RT	PE	10.0	3.4				15		16
16+68.38	RT	PE	12.0	8.0				22		21
20+25.35	RT	PE	10.0	8.7	10		1.2	11		21
20+50.00	LT	PE	10.0	4.4				16		13
26+00.00	RT	PE	10.0	8.6				21		21
26+18.85	LT	PE	10.0	8.2				20		18
26+81.71	LT	PE	12.0	3.6				16		19
30+38.46	RT	PE	14.0	6.8				30		25
30+73.50	RT	PE	14.0	3.6				24		20
33+10.78	RT	PE	20.0	8.2				41		36
34+75.39	RT	PE	18.0	7.0				29		27
37+42.24	RT	PE	10.0	8.5				20		19
39+92.73	RT	PE	12.0	15.8	21		2.4	12		31
40+68.51	RT	PE	12.0	16.2	21		2.4	12		30
40+96.62	RT	PE	10.0	18.4	19		2.2	11		31
46+70.17	LT	PE	12.4	9.0		15		12		
FOREST AVENUE										
303+91.55	RT	PE	15.0	5.2				23		20
TOTAL					71	15	8.2	555	48	613

FILE: P:\11-1041_McClintock\10_040_Sheets\11-1041_Details.dwg