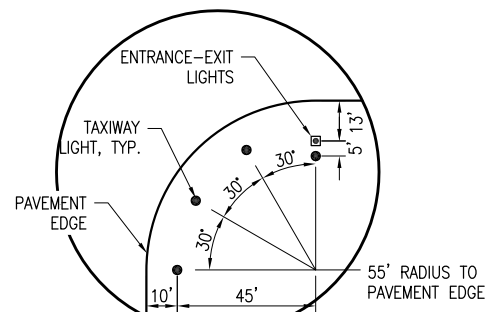
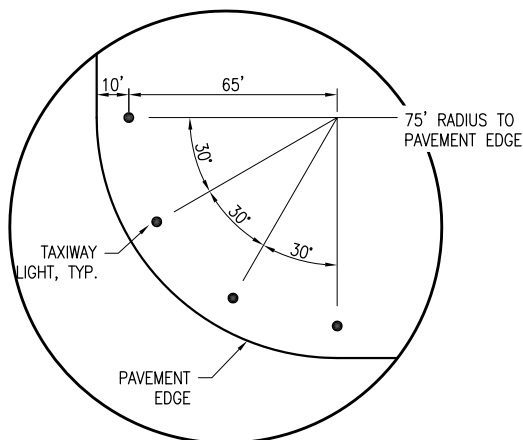


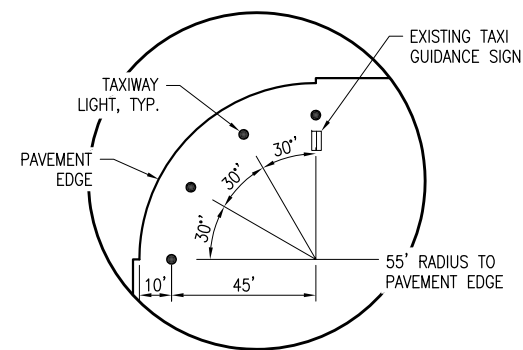
RADIUS DETAIL A
NOT TO SCALE



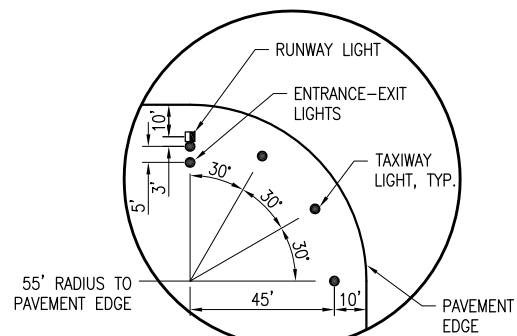
RADIUS DETAIL B
NOT TO SCALE



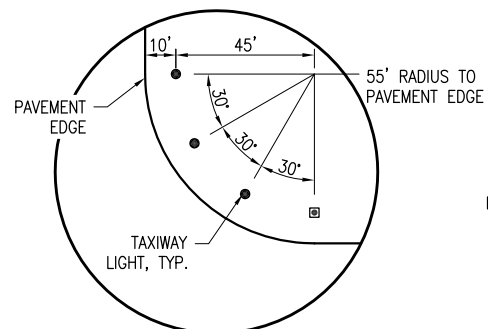
RADIUS DETAIL C
NOT TO SCALE



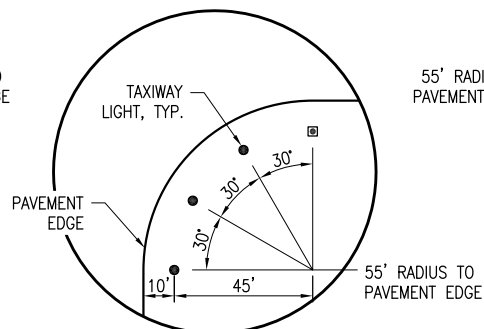
RADIUS DETAIL D
NOT TO SCALE



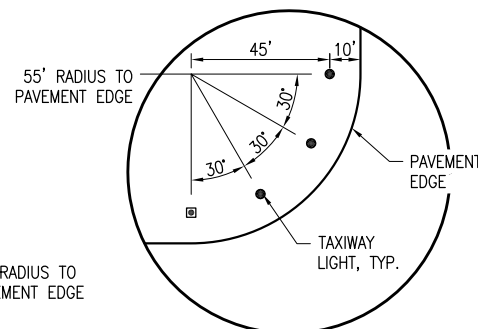
RADIUS DETAIL E
NOT TO SCALE



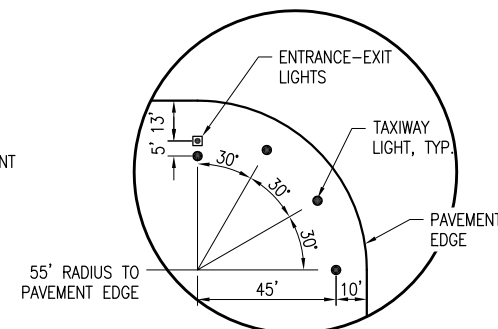
RADIUS DETAIL F
NOT TO SCALE



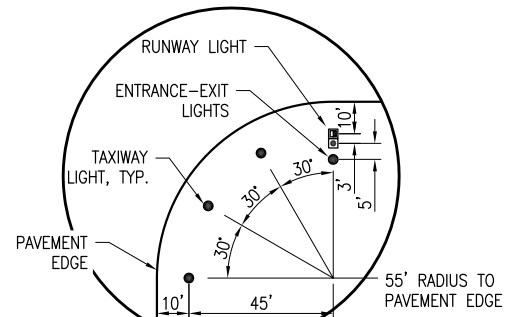
RADIUS DETAIL G
NOT TO SCALE



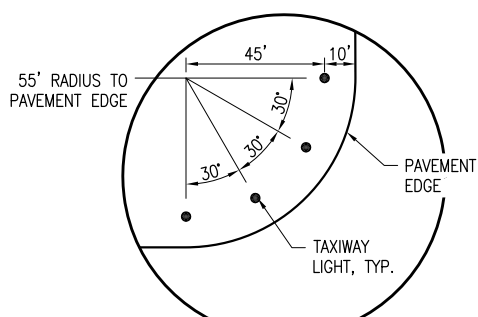
RADIUS DETAIL H
NOT TO SCALE



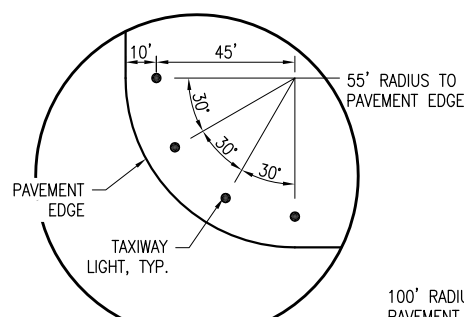
RADIUS DETAIL I
NOT TO SCALE



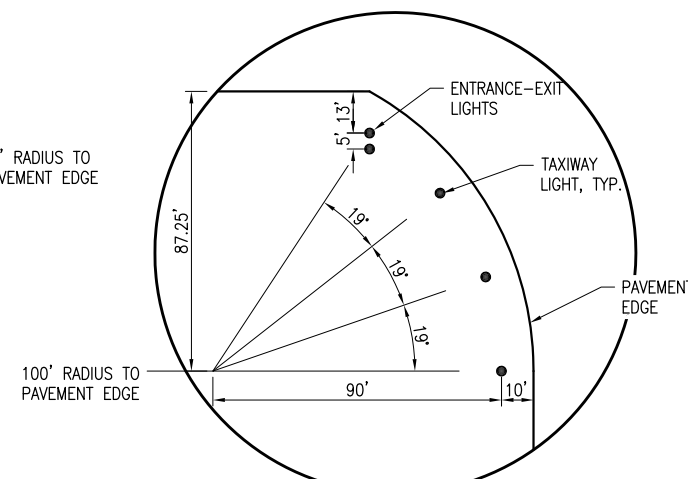
RADIUS DETAIL J
NOT TO SCALE



RADIUS DETAIL K
NOT TO SCALE



RADIUS DETAIL L
NOT TO SCALE



RADIUS DETAIL M
NOT TO SCALE

JUN 17, 2013 12:13 PM HARR01115
pw:\s\spi-svr306\hanson\Documents\Projects\Documents\12\1053\12A0053D\CAD\Airport\Sheet\C-142-ELE

REVISION
DATE

**MACOMB MUNICIPAL AIRPORT
MACOMB, ILLINOIS**

IL PROJ.: MCB-4206 BLOCK GRANT PROJ.: 3-17-0064-B21

Hanson Proj. No. 12A0053
Filename C-142-ELE.dwg
Scale AS SHOWN
Date 06/17/13

LAYOUT	MLH/KNL	01/26/13
DRAWN	TRR	01/26/13
REVIEWED	KNL/CAH	02/04/13



© Copyright Hanson Professional Services Inc. 2013
Hanson Professional Services Inc.
1525 South Main Street
Springfield, Illinois 62703-2886

REPLACE VAULT, AIRFIELD
LIGHTING AND GUIDANCE SIGNS

RADIUS DETAILS