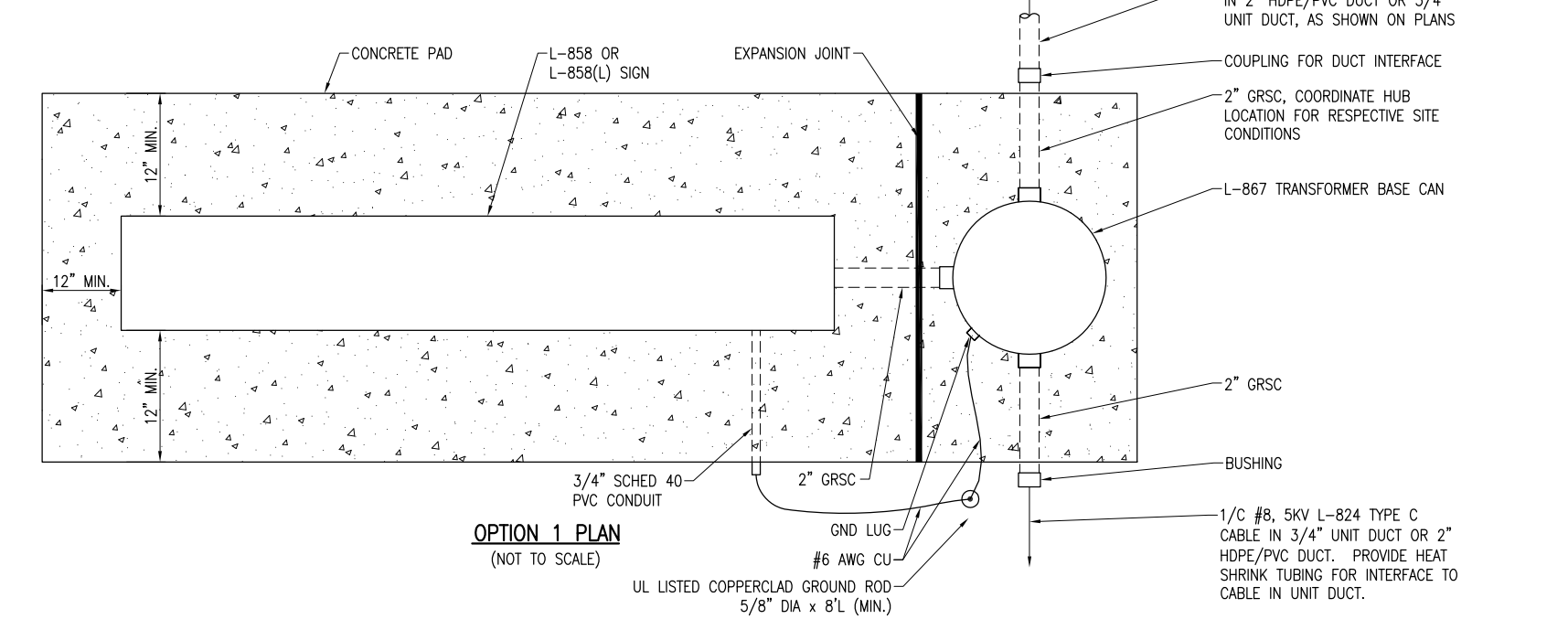
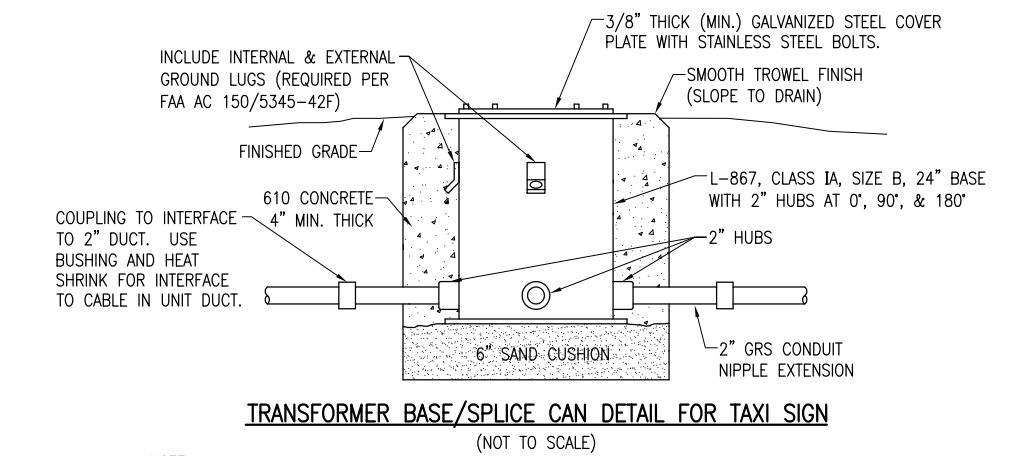
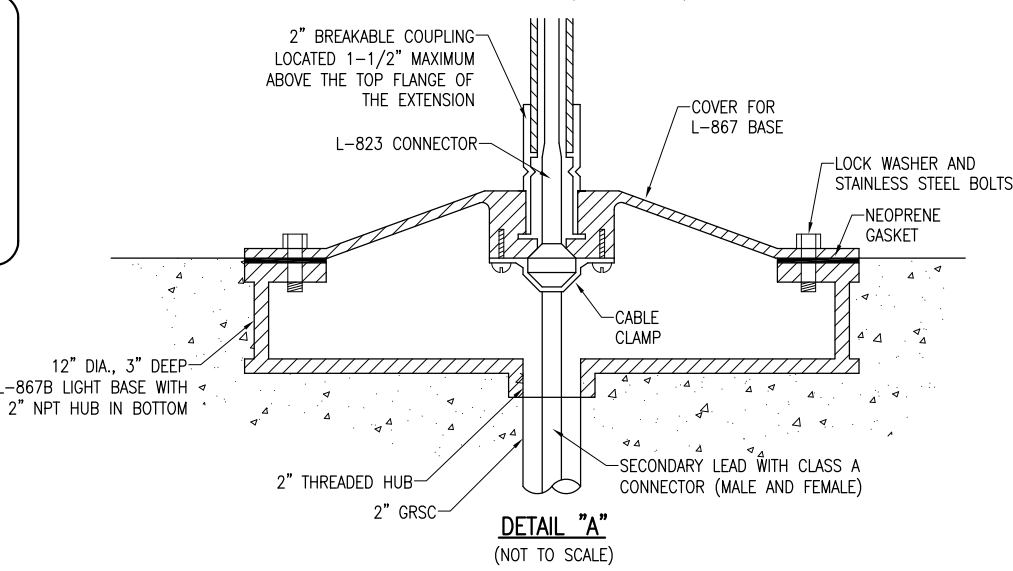


PER FAA AC 150/5340-30G DESIGN AND INSTALLATION DETAILS FOR AIRPORT VISUAL AIDS, A LIGHT BASE GROUND MUST BE INSTALLED AT EACH LIGHT FIXTURE. A LIGHT BASE GROUND SHALL BE INSTALLED AT EACH STAKE MOUNTED LIGHT AND EACH TRANSFORMER BASE/LIGHT CAN ASSOCIATED WITH RUNWAY LIGHTS, TAXIWAY LIGHTS, AND LIGHTED TAXI GUIDANCE SIGNS. THE LIGHT BASE GROUND SHALL BE A #6 AWG BARE COPPER CONDUCTOR CONNECTED TO THE GROUND LUG ON THE RESPECTIVE L-867 TRANSFORMER BASE/LIGHT CAN, TAXI SIGN FRAME, OR MOUNTING STAKE AND A 3/8-INCH DIAMETER BY 8-FOOT LONG (MINIMUM) UL LISTED COPPER CLAD GROUND ROD. ALSO BOND THE SIGN FRAME TO THE GROUND ROD WITH A #6 AWG BARE COPPER CONDUCTOR.

- GENERAL NOTES**
- SEE LIGHTING LAYOUT SHEET FOR SIGN LEGEND, LOCATION, TYPE, SIZE, STYLE, AND CLASS.
 - SEE ELECTRICAL NOTES SHEETS.



- EXISTING SOD TO BE STRIPPED AND REMOVED
- SAND BACKFILL, VARIABLE DEPTH
- PROPOSED TOPSOIL BACKFILL MATERIAL

REVISION	DATE

MACOMB MUNICIPAL AIRPORT
MACOMB, ILLINOIS

BLOCK GRANT PROJ.: 3-17-0064-B21
IL PROJ.: MOB-4206

Hanson Proj. No. 12A0053	
Filename: E-503-DETL.dwg	
Scale: NOT TO SCALE	
Date: 06/17/13	
LAYOUT: KNL 01/13/13	
DRAWN: TRR 01/15/13	
REVIEWED: KNL/CAH 02/04/13	



REPLACE VAULT, AIRFIELD LIGHTING AND GUIDANCE SIGNS

ELECTRICAL DETAILS SHEET 3

JUN 17, 2013 12:13 PM HARR01115
pw:\sps-sv306\hanson\Documents\12\jobs\12A0053\12A0053D\CAD\Airport\Sheet\E-503-DETL