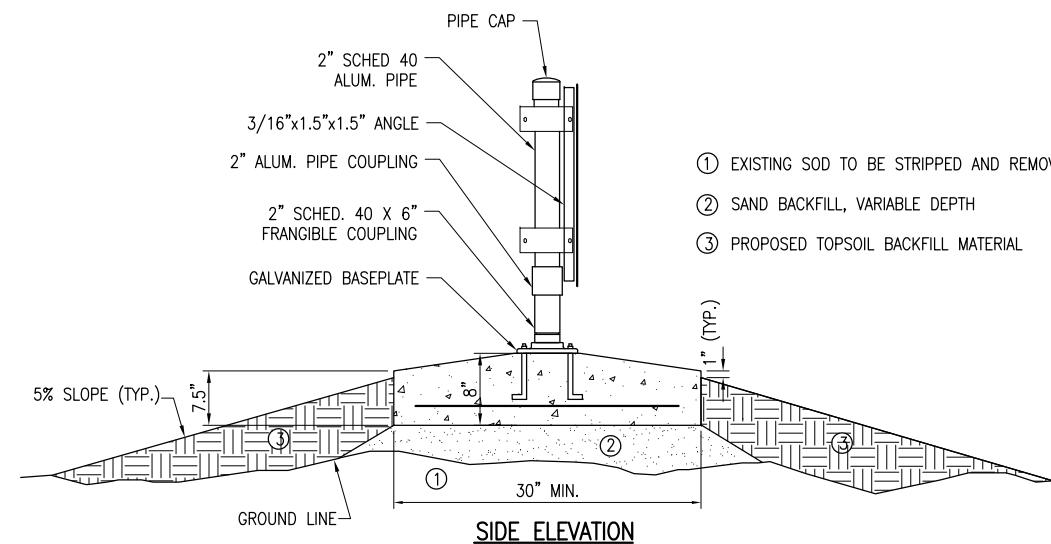
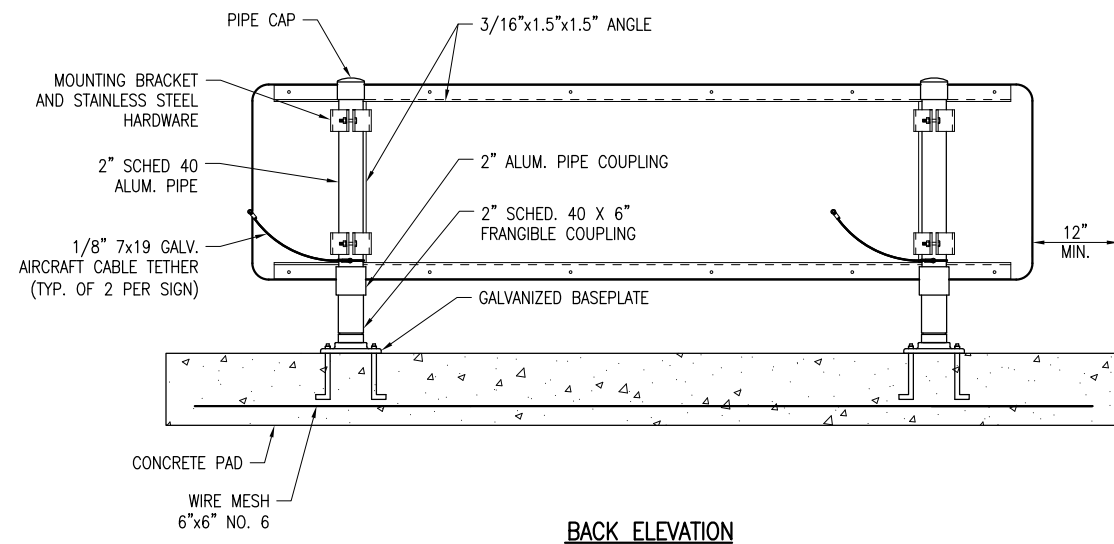
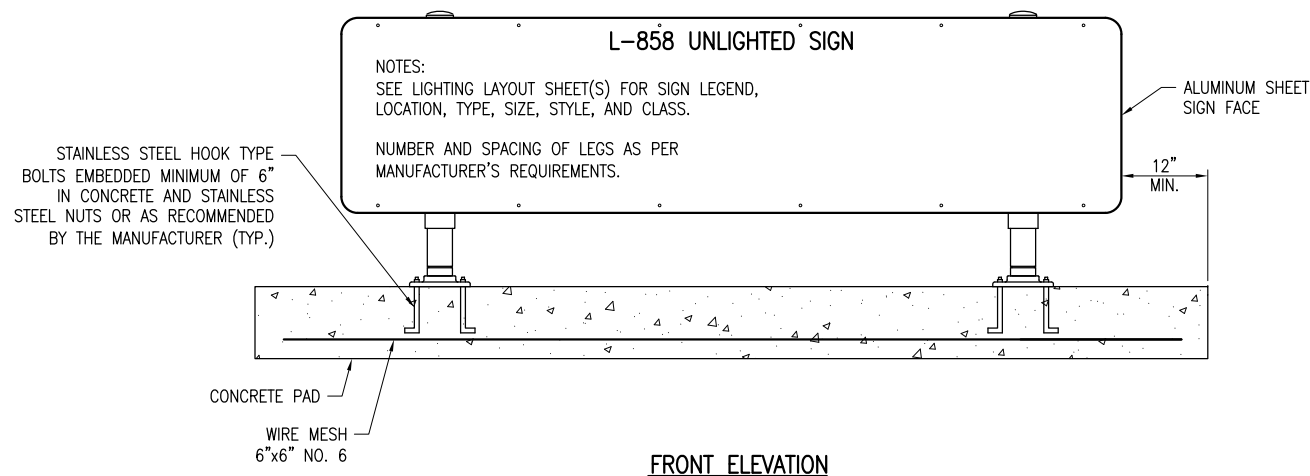


UNLIGHTED TAXI GUIDANCE SIGN NOTES

1. THE PROPOSED UNLIGHTED TAXI GUIDANCE SIGNS SHALL CONFORM TO ADVISORY CIRCULAR 150/5345-44J (OR LATEST ISSUE IN FORCE) AND BE FAA-APPROVED FOR TYPE L-858 TAXIWAY AND RUNWAY SIGNS. THE SIGNS SHALL BE SIZE 1, 18-IN. SIGN FACE WITH A 12-IN. LEGEND; STYLE 4, UNLIGHTED SIGNS; MODE 2, TO WITHSTAND WIND LOADS OF 200 M.P.H., BASE-MOUNTED.
2. THE SIGNS SHALL READ AS DESCRIBED ON THE TAXI GUIDANCE SIGN SCHEDULE. THE PROPOSED TAXI GUIDANCE SIGNS WILL BE TYPE L-858-Y DIRECTION, DESTINATION, AND BOUNDARY SIGNS (BLACK LEGEND ON YELLOW BACKGROUND); TYPE L-858-R MANDATORY INSTRUCTION SIGN (BLACK OUTLINE ON OUTSIDE EDGE OF WHITE LEGEND ON RED BACKGROUND); AND TYPE L-858-L LOCATION SIGN (YELLOW LEGEND AND BORDER ON BLACK BACKGROUND).
3. THE CONCRETE USED IN THE CONSTRUCTION OF THESE ITEMS SHALL BE IN ACCORDANCE WITH ITEM 610 STRUCTURAL PORTLAND CEMENT CONCRETE.



UNLIGHTED SIGN DETAILS
(NOT TO SCALE)

REVISION	DATE

MACOMB MUNICIPAL AIRPORT
MACOMB, ILLINOIS

IL PROJ.: MQB-4206 BLOCK GRANT PROJ.: 3-17-0064-B21

Hanson Proj. No. 12A0053	LAYOUT	KNL	01/13/13
Filename: E-506-DETL.dwg	DRAWN	TRR	01/15/13
Scale: NOT TO SCALE	REVIEWED	KNL/CAH	02/04/13
Date: 06/17/13			

© Copyright Hanson Professional Services Inc. 2013
Hanson Professional Services Inc.
1525 South Main Street
Springfield, Illinois 62703-2886

REPLACE VAULT, AIRFIELD LIGHTING AND GUIDANCE SIGNS

UNLIGHTED SIGN DETAILS

JUN 17, 2013 12:13 PM HARR01115
pw:\s\spi-svr306\hanson.dom\hanson_projects\Documents\12\1053\12A0053D\CAD\Airport\Sheet\E-506-DETL