

STATE OF ILLINOIS  
DEPARTMENT OF TRANSPORTATION

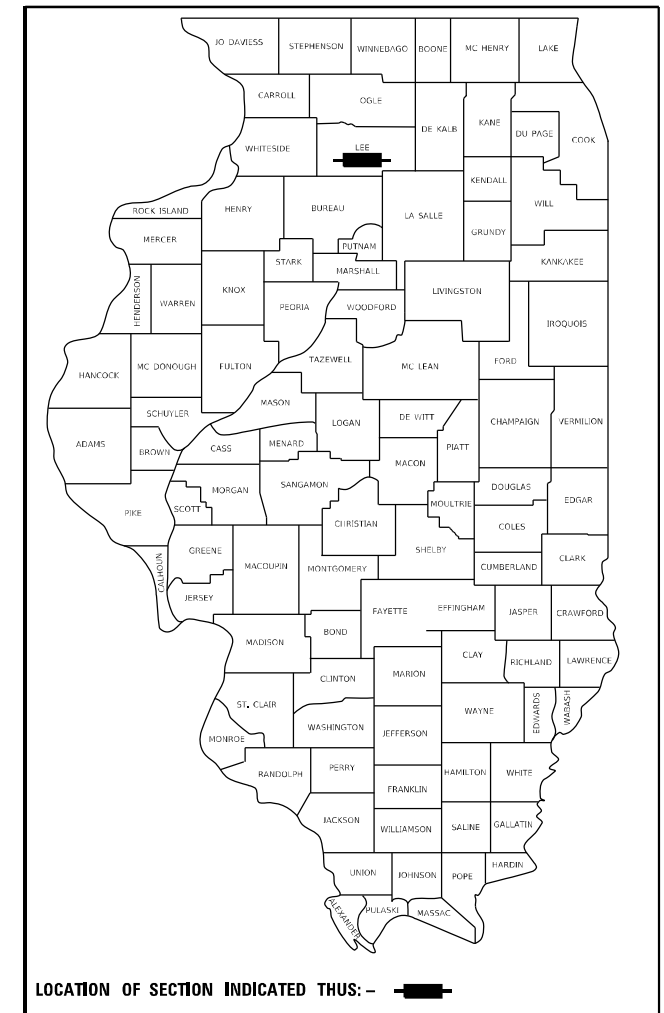
F.A.P. RTE.	SECTION	COUNTY	TOTAL SHEETS	SHEET NO.
573	(111VBR)BP	LEE	7	1
		ILLINOIS	CONTRACT NO. 64S90	

FOR INDEX OF SHEETS, SEE SHEET NO. 2  
FOR STATE STANDARDS, SEE SHEET NO. 2

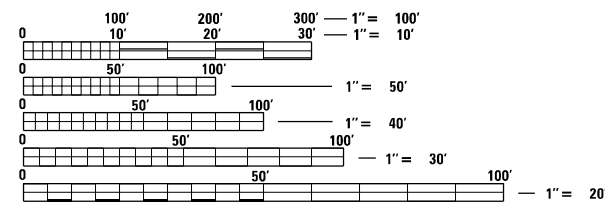
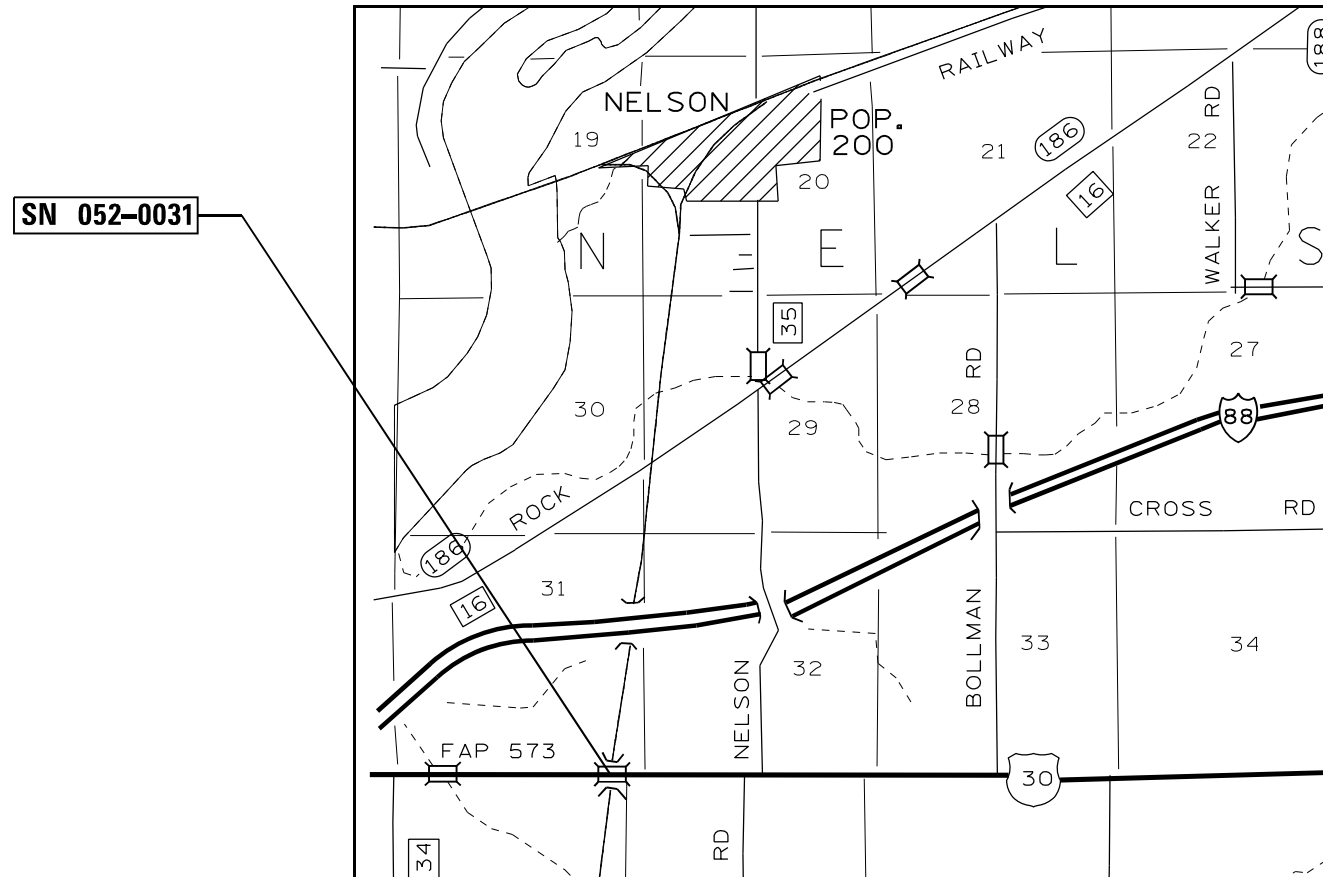
# PROPOSED HIGHWAY PLANS

FAP 573 (US 30)  
SECTION: (111VBR)BP  
PROJECT: STP-PF5J(608)  
TYPE of IMPROVEMENT: BRIDGE PAINTING  
LEE COUNTY

D-92-042-24



C-92-006-24



FULL SIZE PLANS HAVE BEEN PREPARED USING STANDARD ENGINEERING SCALES. REDUCED SIZED PLANS WILL NOT CONFORM TO STANDARD SCALES. IN MAKING MEASUREMENTS ON REDUCED PLANS, THE ABOVE SCALES MAY BE USED.

J.U.L.I.E.  
JOINT UTILITY LOCATION INFORMATION FOR EXCAVATION  
1-800-892-0123  
OR 811

PROJECT ENGINEER: DAVID DOSS (815) 284-5416  
PROJECT MANAGER: MAHMOUD ETEMADI (815) 284-5393

CONTRACT NO. 64S90

STATE OF ILLINOIS  
DEPARTMENT OF TRANSPORTATION

SUBMITTED Nov 28, 2023

*David Doss*  
REGIONAL ENGINEER

May 10, 2024 *[Signature]*  
ENGINEER OF DESIGN AND ENVIRONMENT

May 10, 2024 *[Signature]*  
DIRECTOR OF HIGHWAYS PROJECT IMPLEMENTATION

PRINTED BY THE AUTHORITY  
OF THE STATE OF ILLINOIS

# INDEX OF SHEETS

- 1 COVER SHEET
- 2 INDEX OF SHEETS / STATE STANDARDS / GENERAL NOTES
- 3 SUMMARY OF QUANTITIES
- 4 EXISTING ROADWAY TYPICAL
- 5 STAGING TYPICALS (SN 052-0031)
- 6-7 TRAFFIC CONTROL & PROTECTION, STANDARD 701321 (SPECIAL)

# STATE STANDARDS

- 701101-05 OFF-ROAD OPERATIONS, MULTILANE, 15' (4.5m) TO 24'' (600mm) FROM PAVEMENT EDGE
- 701201-05 LANE CLOSURE, 2L, 2W, DAY ONLY, FOR SPEEDS > 45 MPH
- 701301-04 LANE CLOSURE, 2L, 2W, SHORT TIME OPERATIONS
- 701901-09 TRAFFIC CONTROL DEVICES
- 704001-08 TEMPORARY CONCRETE BARRIER
- 720011-01 METAL POSTS FOR SIGNS, MARKERS & DELINEATORS
- 728001-01 TELESCOPING STEEL SIGN SUPPORT
- 729001-01 APPLICATIONS OF TYPES A & B METAL POSTS (FOR SIGNS & MARKERS)

# GENERAL NOTES

## LOCATION 1 - SN 052-0031

THE CONTRACTOR SHALL SEED ALL DISTURBED AREAS WITHIN THE PROJECT LIMITS. SEEDING CLASS 2A SHALL BE USED. THIS WORK WILL BE INCLUDED IN THE CONTRACT UNIT PRICE PER LUMP SUM FOR CLEANING AND PAINTING STEEL BRIDGE NO. 1.

FERTILIZER SHALL BE APPLIED TO ALL DISTURBED AREAS AND INCORPORATED INTO THE SEEDBED PRIOR TO SEEDING OR PLACEMENT OF SOD AT THE RATE SPECIFIED IN SECTIONS 250 AND 252 OF THE STANDARD SPECIFICATIONS. THIS WORK SHALL BE INCLUDED IN THE COST OF CLEANING AND PAINTING STEEL BRIDGE NO. 1.

MULCH METHOD II SHALL BE APPLIED OVER ALL SEEDED AREAS. THIS SHALL BE INCLUDED IN THE COST OF THE CLEANING AND PAINTING STEEL BRIDGE NO. 1.

## LOCATION 1 SN 052-0031

ALL BORROW/WASTE/USE SITES MUST BE APPROVED BY THE DEPARTMENT PRIOR TO REMOVING ANY MATERIAL FROM THE PROJECT OR INITIATING ANY EARTHMOVING ACTIVITIES, INCLUDING TEMPORARY STOCKPILING OUTSIDE THE LIMITS OF CONSTRUCTION.

TEMPORARY IMPACT ATTENUATORS WILL BE MEASURED AS EACH FOR EACH ATTENUATOR SUPPLIED ON THE JOB AS SPECIFIED IN THE PLANS, AND SHALL INCLUDE THE COST OF RENTING/OWNING THE ATTENUATOR FOR THE TIME REQUIRED ON THE JOB PLUS HAULING TO AND FROM THE PROJECT SITE, AS WELL AS ONE PLACEMENT AND REMOVAL FROM THE ROADWAY. THIS SHALL BE PAID FOR AT THE CONTRACT UNIT PRICE PER EACH FOR IMPACT ATTENUATORS, TEMPORARY OF THE TYPE SPECIFIED.

RELOCATE TEMPORARY IMPACT ATTENUATOR WILL BE PAID FOR AS EACH AND WILL BE PAID FOR EACH TIME THE ATTENUATOR IS REQUIRED BY STAGING TO BE PICKED UP AND MOVED TO A DIFFERENT LOCATION ON THE PROJECT, WHETHER IT IS TO ANOTHER LOCATION ON THE ROADWAY OR TO A STORAGE/STAGING LOCATION FOR THE PROJECT. THIS SHALL BE PAID FOR AT THE CONTRACT UNIT PRICE PER EACH FOR IMPACT ATTENUATORS, RELOCATE OF THE TYPE SPECIFIED.

THIS WORK SHALL BE DONE IN ACCORDANCE WITH SECTION 704 OF THE STANDARD SPECIFICATIONS. TEMPORARY CONCRETE BARRIER WILL BE MEASURED IN FEET ALONG THE CENTERLINE OF THE BARRIER AND SHALL INCLUDE THE COST OF RENTING/OWNING THE BARRIER FOR THE TIME REQUIRED ON THE JOB PLUS HAULING TO AND FROM THE PROJECT SITE, AS WELL AS ONE PLACEMENT AND REMOVAL FROM THE ROADWAY IN ACCORDANCE WITH SECTION 704 OF THE STANDARD AND SPECIFICATION. THIS SHALL BE PAID FOR AT THE CONTRACT UNIT PRICE PER FOOT FOR TEMPORARY CONCRETE BARRIER.

RELOCATE TEMPORARY CONCRETE BARRIER WILL BE PAID FOR IN FEET ALONG THE CENTERLINE OF THE BARRIER, AND WILL BE PAID FOR EACH TIME THE BARRIER IS REQUIRED BY STAGING TO BE PICKED UP AND MOVED TO A DIFFERENT LOCATION ON THE PROJECT, WHETHER IT IS TO ANOTHER LOCATION ON THE ROADWAY OR TO A STORAGE/STAGING LOCATION FOR THE PROJECT. THIS SHALL BE PAID FOR AT THE CONTRACT UNIT PRICE PER FOOT FOR RELOCATE TEMPORARY CONCRETE BARRIER.

THE CONTRACTOR SHALL BE RESPONSIBLE FOR PROTECTING UTILITY PROPERTY DURING CONSTRUCTION OPERATIONS AS OUTLINED IN ARTICLE 107.31 OF THE STANDARD SPECIFICATIONS. A MINIMUM OF 48 HOURS ADVANCE NOTICE IS REQUIRED FOR NON-EMERGENCY WORK. THE JULIE NUMBER IS 800-892-0123.

THE SSPC QP1 & QP2 CONTRACT CERTIFICATIONS WILL BE REQUIRED FOR THIS CONTRACT.

~~A MINIMUM OF 2 AIR MONITORS WILL BE REQUIRED TO MONITOR ABRASIVE BLASTING OPERATIONS, SEE SPECIAL PROVISION FOR "CONTAINMENT AND DISPOSAL OF LEAD PAINT CLEANING RESIDUES".~~

Containment of cleaning residue is required to control nuisance dust. See special provisions.

MODEL: Default  
 FILE NAME: \\ultra-rw-bea-fry.com\FW\DOT\Documents\1\DOT Office\Dir\Dirr\_2\Project\Operations\Bridg Section\Lee052-0031\64590\CAD\64590-ehh-cover.dgn

USER NAME = David.Doss	DESIGNED - _____	REVISED - _____	<b>STATE OF ILLINOIS DEPARTMENT OF TRANSPORTATION</b>	<b>INDEX OF SHEETS, STATE STANDARDS &amp; GENERAL NOTES</b>	F.A.P. RTE.	SECTION	COUNTY	TOTAL SHEETS	SHEET NO.
PLOT SCALE = 40,0000 * / in.	DRAWN - _____	REVISED - _____			573	(111VBR)BP	LEE	7	2
PLOT DATE = Sep-11-2023 09:58:26 AM	CHECKED - _____	REVISED - _____			CONTRACT NO. 64590				
	DATE - _____	REVISED - _____			ILLINOIS FED. AID PROJECT				
				SCALE: _____	SHEET _____ OF _____ SHEETS	STA. _____	TO STA. _____		

# SUMMARY OF QUANTITIES

				0047 80% STP 20% STATE	
CODE NUMBER	ITEM	UNIT	LEE COUNTY	TOTAL QUANTITY	
67100100	MOBILIZATION	L SUM	1	1	
70100450	TRAFFIC CONTROL AND PROTECTION, STANDARD 701201	L SUM	1	1	
70106500	TEMPORARY BRIDGE TRAFFIC SIGNALS	EACH	1	1	
70107025	CHANGEABLE MESSAGE SIGN	CAL DA	60	60	
70400100	TEMPORARY CONCRETE BARRIER	FOOT	375	375	
70600250	IMPACT ATTENUATORS, TEMPORARY (NON-REDIRECTIVE), TEST LEVEL 3	EACH	2	2	
X7010202	TRAFFIC CONTROL AND PROTECTION, STANDARD 701321 (SPECIAL)	EACH	1	1	
X5060601	CONTAINMENT AND DISPOSAL OF NON-LEAD PAINT CLEANING RESIDUES NO. 1	L SUM	1	1	
Z0010501	CLEANING AND PAINTING STEEL BRIDGE NO. 1	L SUM	1	1	
Z0048665	RAILROAD PROTECTIVE LIABILITY INSURANCE	L SUM	1	1	

MODEL: P:\default  
 FILE: M:\MIS\_P\Subsect-aw-bea\efw.com\FW\DOT\Documents\DOT\_offices\Dir\dir\_2\Project\Operations\Bridges\_Section\Lee032-003\164590\CAD\64590-dht-over.dgn

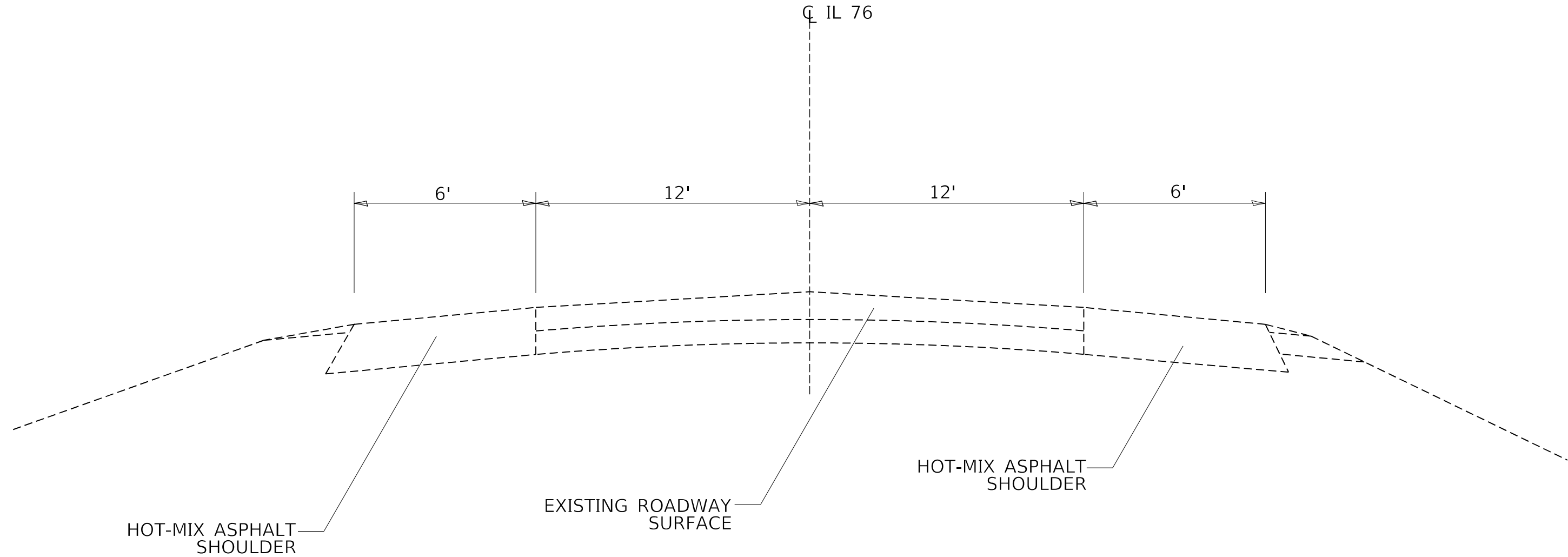
USER NAME = David.Doss	DESIGNED - _____	REVISED - _____
PLOT SCALE = 40,0000 * / in.	CHECKED - _____	REVISED - _____
PLOT DATE = Sep-11-2023 12:50:17 PM	DATE - _____	REVISED - _____

**STATE OF ILLINOIS  
DEPARTMENT OF TRANSPORTATION**

<b>SUMMARY OF QUANTITIES</b>			
SCALE: _____	SHEET _____	OF _____ SHEETS	STA. _____ TO STA. _____

F.A.P. RTE.	SECTION	COUNTY	TOTAL SHEETS	SHEET NO.
573	(111VBR)BP	LEE	7	3
				CONTRACT NO. 64590
ILLINOIS FED. AID PROJECT				

# EXISTING TYPICAL SN 052-0031



MODEL: Default  
 FILE: Model - 2023-08-14-11:17:46 PM  
 PROJECT: Operations\Bridges - Section\Lee\052-0031\64590\CAD\64590-ehh-over.dgn

HOT-MIX ASPHALT SHOULDER

EXISTING ROADWAY SURFACE

HOT-MIX ASPHALT SHOULDER

Q IL 76

6'

12'

12'

6'

STATE OF ILLINOIS  
DEPARTMENT OF TRANSPORTATION

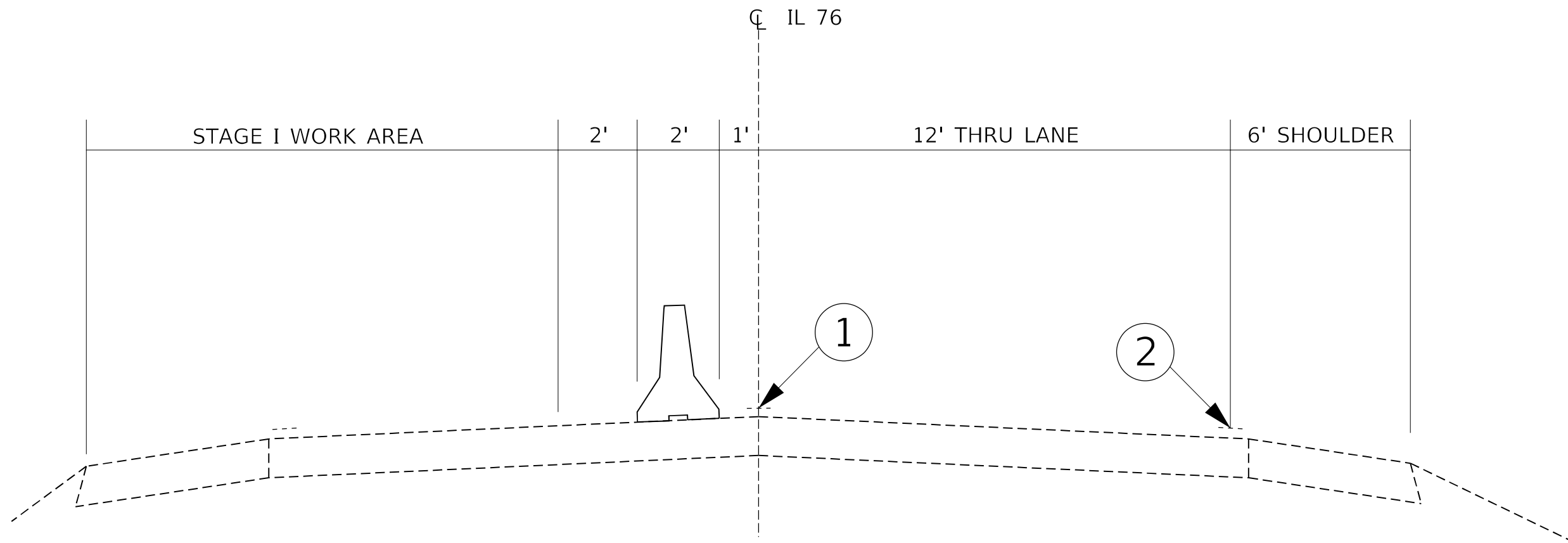
EXISTING TYPICAL  
SN 052-0031

USER NAME = David.Doss	DESIGNED - _____	REVISED - _____
	DRAWN - _____	REVISED - _____
PLOT SCALE = 40,0000 * / in.	CHECKED - _____	REVISED - _____
PLOT DATE = Aug-14-2023 01:17:46 PM	DATE - _____	REVISED - _____

SCALE: \_\_\_\_\_ SHEET \_\_\_ OF \_\_\_ SHEETS STA. \_\_\_\_\_ TO STA. \_\_\_\_\_

F.A.P. RTE.	SECTION	COUNTY	TOTAL SHEETS	SHEET NO.
573	(111VBR)BP	LEE	7	4
ILLINOIS FED. AID PROJECT			CONTRACT NO. 64590	

# STAGING TYPICAL SN 052-0031



- ① TEMPORARY PAVEMENT MARKING TAPE SHALL BE PLACED THROUGHOUT THE TAPER AND ALONG-SIDE THE WORK AREA. THE RIGHT EDGE LINE SHALL BE WHITE AND THE LEFT EDGE LINE SHALL BE YELLOW.
- ② EXISTING PAVEMENT MARKING LINE

MODEL: Default  
 FILE: \\naulc-pw-backend.com\P\DOT\Documents\DOT Office\District 2\Project\Operations\Bridge - Section\ae052-0031\64590\CAD\64590-ehh-over.dgn

USER NAME = David.Doss	DESIGNED - _____	REVISED - _____
	DRAWN - _____	REVISED - _____
PLOT SCALE = 40,0000 * / in.	CHECKED - _____	REVISED - _____
PLOT DATE = Aug-14-2023 01:17:52 PM	DATE - _____	REVISED - _____

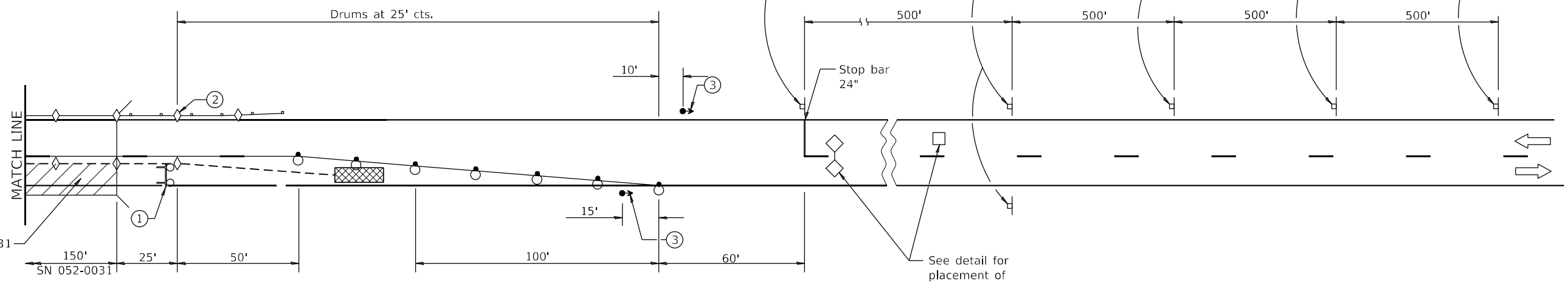
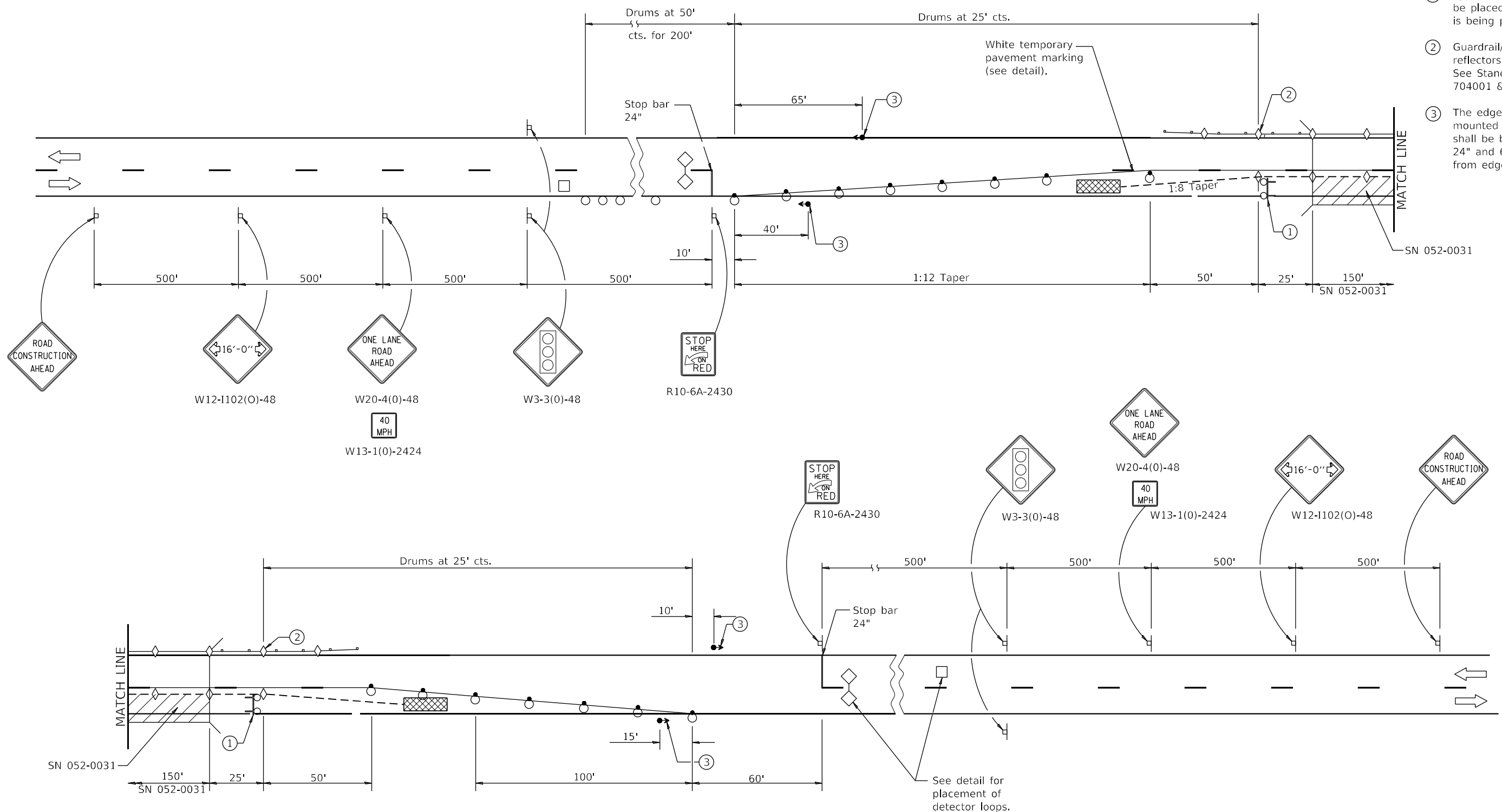
**STATE OF ILLINOIS**  
**DEPARTMENT OF TRANSPORTATION**

**STAGING TYPICAL**  
**SN 052-0031**

SCALE: \_\_\_\_\_ SHEET \_\_\_ OF \_\_\_ SHEETS STA. \_\_\_\_\_ TO STA. \_\_\_\_\_

F.A.P. RTE.	SECTION	COUNTY	TOTAL SHEETS	SHEET NO.
573	(111VBR)BP	LEE	7	5
CONTRACT NO. 64590				
ILLINOIS FED. AID PROJECT				

- ① Type III barricade to be placed when no work is being performed.
- ② Guardrail/barrier wall reflectors at 25' cts. See Standards 704001 & 782006.
- ③ The edge of the post mounted signal head shall be between 24" and 6' from edge of shoulder.



**SYMBOLS**

- ▨ Work area
- Drum with steady burning bi-directional light
- ◇ Detector loops
- p Sign
- - - Temporary concrete barrier
- ▨ Impact attenuator
- ⊕ Type III barricade with flashing lights
- ▨ Temporary rumble strip (when specified)
- ◇ Crystal, bidirectional guardrail/barrier wall reflector
- Traffic signal
- ▨ Double vertical panel (see detail)
- Drum

MODEL: Default  
 FILE NAME: p:\projects\paw\bea\paw.com\paw\DOT\Documents\DOT Office\Director\_2\Project\Operations\Bridges\_Section\Lee052-003\US4590CAD\64590-ah-0-over.dgn  
 PROJECT: Operations\Bridges\_Section\Lee052-003\US4590CAD\64590-ah-0-over.dgn

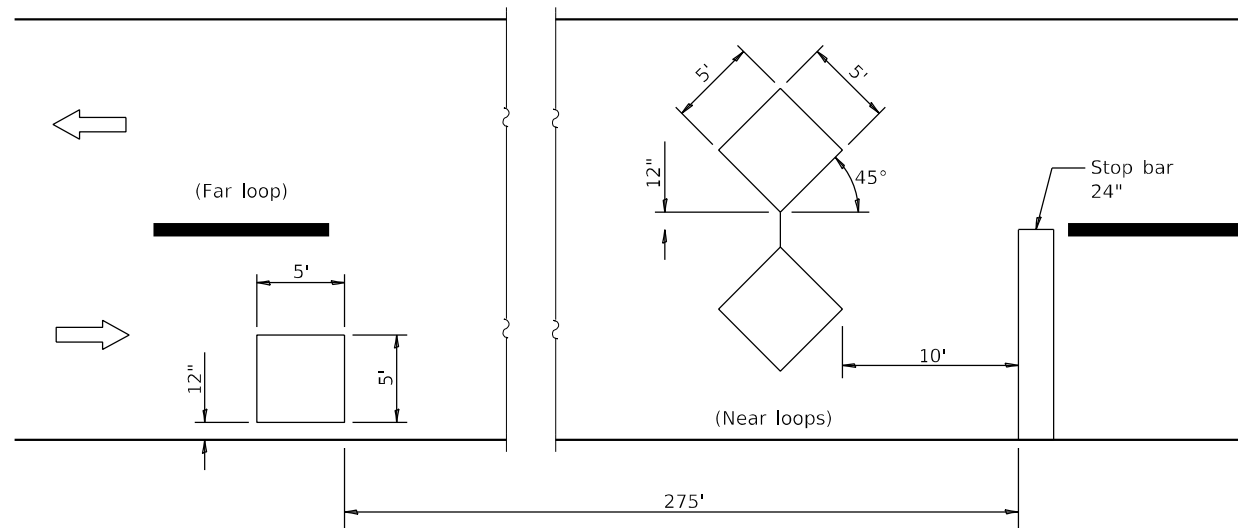
USER NAME = David.Doss	DESIGNED - _____	REVISED - _____
	DRAWN - _____	REVISED - _____
PLOT SCALE = 40,0000 * / in.	CHECKED - _____	REVISED - _____
PLOT DATE = Sep-11-2023 12:50:52 PM	DATE - _____	REVISED - _____

**STATE OF ILLINOIS  
DEPARTMENT OF TRANSPORTATION**

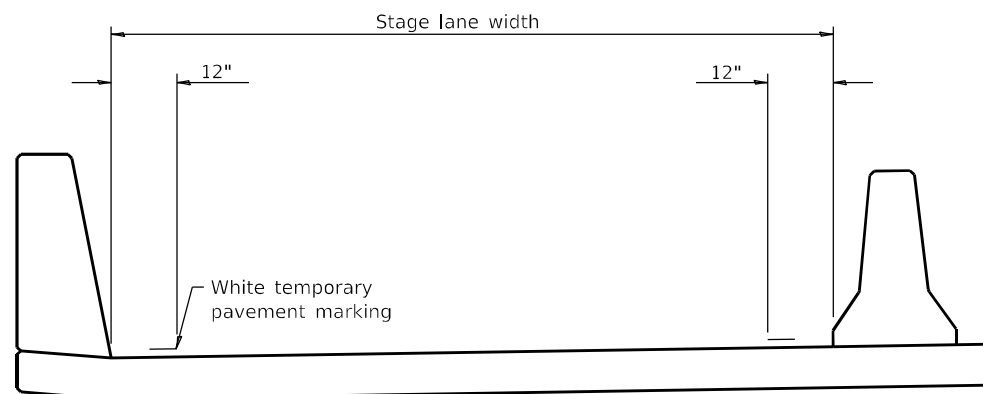
**TRAFFIC CONTROL & PROTECTION, STANDARD 701321 (SPECIAL)  
FOR LOCATION SN 008-0005**

F.A.P. RTE. 573	SECTION (111VBR)BP	COUNTY LEE	TOTAL SHEETS 7	SHEET NO. 6
CONTRACT NO. 64590				
ILLINOIS FED. AID PROJECT				

SCALE: \_\_\_\_\_ SHEET \_\_\_\_\_ OF \_\_\_\_\_ SHEETS STA. \_\_\_\_\_ TO STA. \_\_\_\_\_



**DETECTOR LOOPS**



**TEMPORARY PAVEMENT MARKING**

TRAFFIC SIGNAL SEQUENCE						
PHASE	A			B		
INTERVAL	1	2	3	4	5	6
NORTHBOUND OR EASTBOUND	G	Y	R	R	R	R
SOUTHBOUND OR WESTBOUND	R	R	R	G	Y	R

TEMPORARY CONCRETE BARRIER	
NORMAL POSTED SPEED	TAPER RATIO
40 mph AND ABOVE	12:1
BELOW 40 mph	8:1

ADVISORY SPEED LIMIT	
NORMAL POSTED SPEED	ADVISORY SPEED
55 - 45 mph	40 mph
40 mph	35 mph
35 - 30 mph	30 mph

**PAVEMENT MARKINGS**

ALL TEMPORARY PAVEMENT MARKING SHALL BE, PAVEMENT MARKING TAPE, TYPE IV 4" AND THE MATERIALS SHALL BE ACCORDING TO ARTICLE 1095.06 OF THE STANDARD AND SPECIFICATIONS. THE CONTRACTOR SHALL INSTALL, MAINTAIN AND REMOVE ALL TEMPORARY PAVEMENT MARKING TAPE. THIS WORK SHALL NOT BE PAID SEPERATELY AND SHALL BE INCLUDED IN THE COST OF THE "TRAFFIC CONTROL AND PROTECTION STANDARD 701321 (SPECIAL)".

ALL CONFLICTING PAVEMENT MARKINGS AND RAISED REFLECTIVE PAVEMENT MARKERS SHALL BE PROTECTED PRIOR TO COVERING WITH PAVEMENT MARKING BLACKOUT TAPE, 4". PAVEMENT MARKING BLACKOUT TAPE, 4", SHALL EXTEND A MINIMUM OF 2 INCHES BEYOND THE EXISTING MARKINGS OR REFLECTORS IN ALL DIRECTIONS. THIS WORK SHALL INCLUDE PROTECTING EXISTING PAVEMENT MARKINGS AND RAISED REFLECTIVE PAVEMENT MARKERS, INSTALLING, MAINTAINING AND REMOVING BLACKOUT TAPE. THIS WORK SHALL NOT BE PAID SEPERATELY AND SHALL BE INCLUDED IN THE COST OF THE "TRAFFIC CONTROL AND PROTECTION STANDARD 701321 (SPECIAL)".

**GENERAL NOTES**

This Standard is used where, at any time, any vehicle, equipment, workers, or their activities will encroach on one lane of a bridge. Traffic signals and a positive barrier are required.

Traffic signals shall be operational only when all traffic controls are in place. When traffic signals are not in operation, flaggers shall be used and traffic control shall conform to Standard 701201 or 701206.

Temporary concrete barrier shall be according to Standard 704001.

Existing or temporary pavement markings shall be on both sides of open lane from stop bar to stop bar.

MODEL: Default  
FILE NAME: p:\ultra\paw\_bentley.com\PIV\DOT\Documents\DOT\_Offices\Dir\dr: 2\Project\Operations\Bridg Section\Lee032-003\164590\CAD\64590.dwg-over.dgn

USER NAME = David.Doss	DESIGNED - _____	REVISED - _____
	DRAWN - _____	REVISED - _____
PLOT SCALE = 40,0000 */ in.	CHECKED - _____	REVISED - _____
PLOT DATE = Aug-14-2023 01:18:06 PM	DATE - _____	REVISED - _____

**STATE OF ILLINOIS  
DEPARTMENT OF TRANSPORTATION**

**TRAFFIC CONTROL & PROTECTION, STANDARD 701321 (SPECIAL)  
FOR SN 008-0005**

SCALE: \_\_\_\_\_ SHEET \_\_\_\_ OF \_\_\_\_ SHEETS STA. \_\_\_\_\_ TO STA. \_\_\_\_\_

F.A.P. RTE.	SECTION	COUNTY	TOTAL SHEETS	SHEET NO.
573	(111VBR)BP	LEE	7	7
CONTRACT NO. 64590				
ILLINOIS FED. AID PROJECT				