

STATE OF ILLINOIS
DEPARTMENT OF TRANSPORTATION

F.A.I. RTE.	SECTION	COUNTY	TOTAL SHEETS	SHEET NO.
55	(84-3-2)DR	SANGAMON	6	1
		ILLINOIS	CONTRACT NO. 72743	

FOR INDEX OF SHEETS, SEE SHEET NO. 2

PROPOSED IMPROVEMENTS

FAI 55 (I-55)
SECTION (84-3-2)DR
PROJECT : STATE
PIPE CULVERT REPLACEMENT
SANGAMON CO.

D-96-050-24

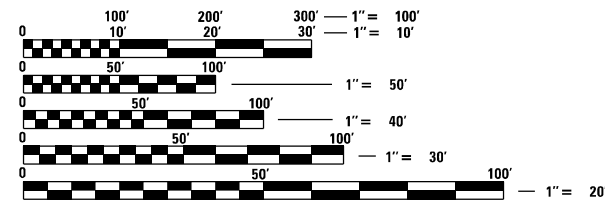
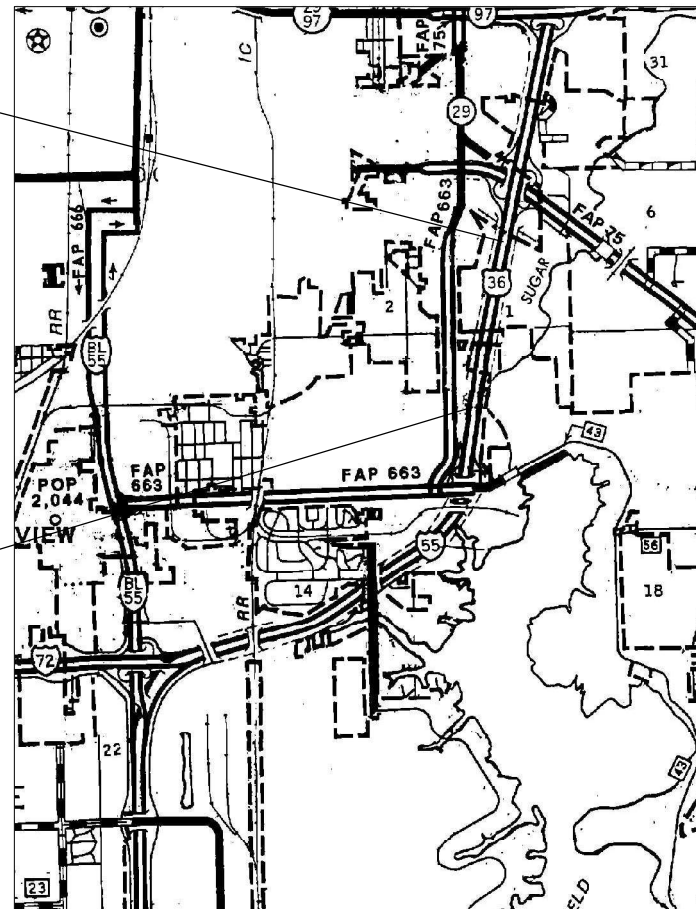


C-96-071-24

I-55 (2023)
ADT = 25,900
SU = 1000
MU = 5,600

END PROJECT
STA. 244+60

BEGIN PROJECT
STA. 204+50



FULL SIZE PLANS HAVE BEEN PREPARED USING STANDARD ENGINEERING SCALES. REDUCED SIZED PLANS WILL NOT CONFORM TO STANDARD SCALES. IN MAKING MEASUREMENTS ON REDUCED PLANS, THE ABOVE SCALES MAY BE USED.

J.U.L.I.E.
JOINT UTILITY LOCATION INFORMATION FOR EXCAVATION
1-800-892-0123
OR 811

PROJECT ENGINEER : MIKE HAMBY: (217)524-7765
PROJECT MANAGER : TIM SHARP - (217)524-9160

CONTRACT NO. 72743

STATE OF ILLINOIS
DEPARTMENT OF TRANSPORTATION

SUBMITTED May 10 2024

John P. Meyer
REGION FOUR ENGINEER

June 28, 2024 *S. A. etc.*
ENGINEER OF DESIGN AND ENVIRONMENT

June 28, 2024 *Stephen M. Smith*
DIRECTOR OF HIGHWAYS PROJECT IMPLEMENTATION




PRINTED BY THE AUTHORITY
OF THE STATE OF ILLINOIS

INDEX OF SHEETS

SHEET NO.	DESCRIPTION
1.	COVER SHEET
2.	INDEX OF SHEETS, STANDARDS, GENERAL NOTES & SIGNATURE
3.	SUMMARY OF QUANTITIES
4.	PROJECT LOCATION MAP
5.	DETAILS AND SCHEDULES
6.	EXISTING CULVERT PLANS

STANDARDS

STANDARD NO.	DESCRIPTION
000001-08	STANDARD SYMBOLS, ABBREVIATIONS AND PATTERNS
001001-02	AREAS OF REINFORCEMENT BARS
001006	DECIMAL OF AN INCH AND OF A FOOT
701101-05	OFF-RD OPERATIONS, MULTILANE, 15' (4.5m) TO 24" (600mm) FROM PAVEMENT EDGE
701106-02	OFF-RD OPERATION, MULTILANE, MORE THAN 15' (4.5m) AWAY
701400-12	APPROACH TO LANE CLOSURE, FREEWAY / EXPRESSWAY
701406-13	LANE CLOSURE FREEWAY / EXPRESSWAY, DAY OPERATIONS ONLY
701901-09	TRAFFIC CONTROL DEVICES

STATE OF ILLINOIS DEPARTMENT OF TRANSPORTATION DIVISION OF HIGHWAYS DISTRICT 6	
EXAMINED	May, 17 20 24
	ENGINEER OF OPERATIONS
EXAMINED	May, 17 20 24
	ENGINEER OF PROJECT IMPLEMENTATION
EXAMINED	May, 17 20 24
	ENGINEER OF PROGRAM DEVELOPMENT

REV. - MS

FILE NAME =	USER NAME = Timothy.Sharp	DESIGNED -	REVISED -	STATE OF ILLINOIS DEPARTMENT OF TRANSPORTATION	INDEX OF SHEETS, STANDARDS GENERAL NOTES, SIGNATURES	F.A.I. RTE.	SECTION	COUNTY	TOTAL SHEETS	SHEET NO.	
S:\CONTRMAINT_CAD\72743- FAI 55 (1 55) -	RAINAGE - SANGAMON CO\IB-2-2024\PLANS\72743-01.dgn	CHECKED -	REVISED -			55	(84-3-2)DR	SANGAMON	6	2	
Default	PLOT SCALE = 40.0000' / in.	DATE	REVISED -			SCALE: _____ SHEET _____ OF _____ SHEETS STA. _____ TO STA. _____		ILLINOIS FED. AID PROJECT			
	PLOT DATE = 5/10/2024	DATE	REVISED -			CONTRACT NO. 72743					

0-02179-6008
 100% STATE
 SANGAMON
 ROADWAY
 0004
 URBAN

CODE NO.	ITEM	UNIT	TOTAL QUANTITY	
28100105	STONE RIPRAP, CLASS A3	SQ YD	34	34
28200200	FILTER FABRIC	SQ YD	34	34
50105220	PIPE CULVERT REMOVAL	FOOT	198	198
50800105	REINFORCEMENT BARS	POUND	100	100
54002020	EXPANSION BOLTS 3/4 INCH	EACH	12	12
54210189	PIPE ELBOW 24"	EACH	6	6
54248510	CONCRETE COLLAR	CU YD	1.2	1.2
60100985	PIPE DRAINS 24"	FOOT	198	198
61000050	CONCRETE THRUST BLOCKS	EACH	3	3
67100100	MOBILIZATION	L SUM	1	1
70100700	TRAFFIC CONTROL AND PROTECTION, STANDARD 701406	L SUM	1	1

REV. - MS

FILE NAME =	USER NAME = Timothy.Sharp	DESIGNED -	REVISED -	STATE OF ILLINOIS DEPARTMENT OF TRANSPORTATION	SUMMARY OF QUANTITIES				F.A.I. RTE.	SECTION	COUNTY	TOTAL SHEETS	SHEET NO.
S:\CONTRMAINT_CAD\72743- FAI 55 (1 55) -	DRAINAGE - SANGAMON CO.(8-2-2024)\PLANS\72743\DRAWING\600.dgn	CHECKED -	REVISED -						55	(84-3-2)DR	SANGAMON	6	3
Default	PLOT SCALE = 48.0000' / in.	DATE -	REVISED -		SCALE: SHEET OF SHEETS STA. TO STA.				CONTRACT NO. 72743				
	PLOT DATE = 5/10/2024				ILLINOIS FED. AID PROJECT								



END PROJECT
STA. 244+60



BEGIN PROJECT
STA. 204+50

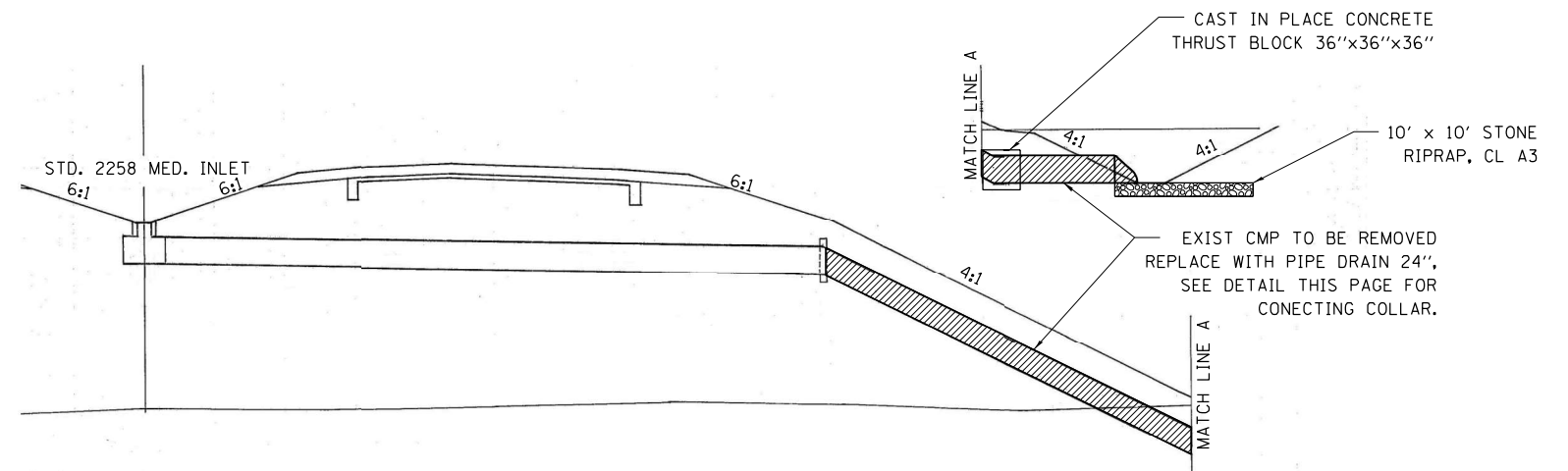
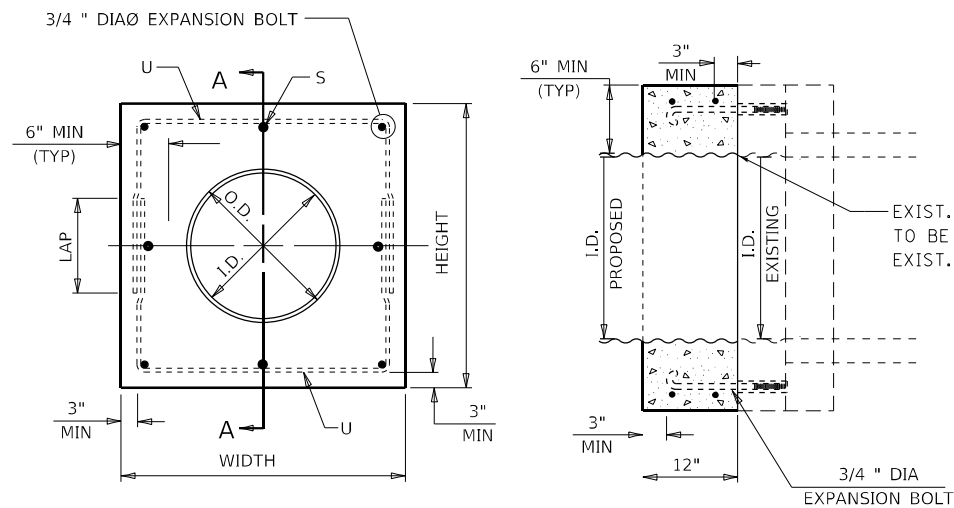
FILE NAME =	USER NAME = Timothy.Sharp	DESIGNED - _____	REVISED - _____
S:\CONTRMAINT_CAD\72743- FAI 55 (1 55) -	DRAINAGE - SANGAMON CO.18-2-2024\PLANS\72743	DRAWN - _____	REVISED - _____
Default	PLOT SCALE = 40.0000' / in.	CHECKED - _____	REVISED - _____
	PLOT DATE = 4/4/2024	DATE - _____	REVISED - _____

STATE OF ILLINOIS
DEPARTMENT OF TRANSPORTATION

LOCATION MAP

SCALE: _____ SHEET _____ OF _____ SHEETS STA. _____ TO STA. _____

F.A.I. RTE.	SECTION	COUNTY	TOTAL SHEETS	SHEET NO.
55	(84-3-2)DR	SANGAMON	6	4
			CONTRACT NO. 72N15	
ILLINOIS FED. AID PROJECT				

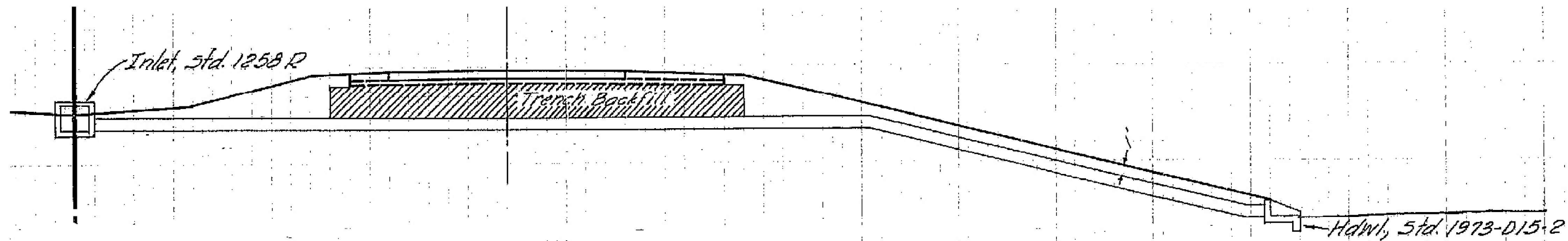


NOTES:

1. EXPANSION BOLTS SHALL CONSIST OF SELF DRILLING EXPANSION SHIELDS AND 3/4" DIA HOOKED BOLTS. HOOKED BOLTS SHALL EXTEND A MINIMUM OF 9" INTO NEW CONCRETE. MINIMUM CERTIFIED PROOF LOAD - 4,080 LBS.
2. USE MINIMUM OF 1 (ONE) EXPANSION BOLT AT EACH CORNER.

STATION	SECTION TYPE	SKEW	EXISTING CULVERT SIZE	PROPOSED CULVERT		COLLAR		REINFORCEMENT BARS								EXPANSION BOLTS 3/4" EACH	CLASS ST CONCRETE COLLAR YD ³		
				I.D.	O.D.	HEIGHT	WIDTH	S BAR				U BAR						LB	
								NO.	SIZE	LENGTH	NO.	SIZE	A	B	LAP				LENGTH
204+50	RT	A	24	24	25	42	42	4	#5	6"	4	#5	36"	27"	18"	90"	33.4	4	0.38
215+00	RT	A	24	24	25	42	42	4	#5	6"	4	#5	36"	27"	18"	90"	33.4	4	0.38
244+60	RT	A	24	24	25	42	42	4	#5	6"	4	#5	36"	27"	18"	90"	33.4	4	0.38
TOTALS																	100	12	1.2

STATION	PIPE DRAIN 24"	PIPE ELBOW 24"	PIPE CULVERT REMOVAL
	LIN. FOOT	EACH	
204+50	66.00	2 - 15°	66.00
215+00	66.00	2 - 15°	66.00
244+60	66.00	2 - 15°	66.00
TOTALS:	198.00	6.00	198.00



CONTRACTOR SHALL VERIFY LENGTHS
BEFORE ORDERING CULVERTS
(SEE SHEET 5 FOR DETAILS)

FILE NAME =	USER NAME = Timothy.Sharp	DESIGNED - _____	REVISED - _____	STATE OF ILLINOIS DEPARTMENT OF TRANSPORTATION	EXISTING CULVERT PLAN			F.A.I. RTE.	SECTION	COUNTY	TOTAL SHEETS	SHEET NO.
S:\CONTRMAINT_CAD\72743- FAI 55 (1 55) -	DRAINAGE - SANGAMON CO.(8-2-2024)\PLANS\72743	DRAWN - _____	REVISED - _____		55	(84-3-2)DR	SANGAMON	6	6			
Default	PLOT SCALE = 20.0000' / in.	CHECKED - _____	REVISED - _____		CONTRACT NO. 72743							
	PLOT DATE = 4/4/2024	DATE - _____	REVISED - _____		ILLINOIS FED. AID PROJECT							
				SCALE: _____		SHEET _____ OF _____ SHEETS		STA. _____ TO STA. _____				