

STATE OF ILLINOIS
DEPARTMENT OF TRANSPORTATION

PLANS FOR PROPOSED
FEDERAL-AID PROJECT
HSIP FUNDS

VARIOUS ROUTES
SECTION 21-00081-00-GR
PROJECT NO. X7GK(475)
MOULTRIE COUNTY
C-97-112-23

VARIOUS ROUTES	SECTION	COUNTY	TOTAL SHEETS	SHEET NO.
	21-00081-00-GR	MOULTRIE	20	1
FEDERAL AID PROJECT	ILLINOIS	CONTRACT NO. 95939		

UTILITY CONTACTS:

UTILITY TYPE:

ELECTRIC
AMEREN ILLINOIS (SOUTH)
ATT: SAM KASSING
PHONE: (618) 972-1965

UTILITY TYPE:

ELECTRIC
COLES-MOULTRIE ELECTRIC CO
ATT: JIM WALLACE
PHONE: (217) 258-5815
PHONE: (217) 235-0341

UTILITY TYPE:

TELEPHONE
ILLINOIS CONSOLIDATED TELEPHONE
ATT: WES CHAMBERS
PHONE: (217) 235-3355

UTILITY TYPE:

TELEPHONE
FRONTIER COMMUNICATIONS
ATT: KALIN HINSHAW
PHONE: (815) 895-1515

UTILITY TYPE:

COMMUNICATIONS
MOULTRIE TEL /SHAWNEE COMM
ATT: HARVEY REYNOLDS
PHONE: (217) 294-4366

UTILITY TYPE:

FIBER OPTIC
METRO COMMUNICATIONS, INC
ATT: TAYLOR RICH
PHONE: (217) 728-3608

UTILITY TYPE:

FIBER OPTIC
MEDIACOM
ATT: DANIEL SALEE
PHONE: (845) 768-8074

UTILITY TYPE:

NATURAL GAS
GAS /KINDER MGN - STA 31
ATT: ALEXANDER HENNING
PHONE: (618) 599-2597

UTILITY TYPE:

WATER/SEWER
VILLAGE OF DALTON CITY
ATT: NATHAN PATRICK
PHONE: (815) 895-1515

UTILITY TYPE:

WATER/SEWER
VILLAGE OF FINDLAY
ATT: TRAVIS PARK
PHONE: (217) 756-8997

UTILITY TYPE:

WATER/SEWER
VILLAGE OF BETHANY
ATT: SHANNON RISLEY
PHONE: (217) 665-3351

UTILITY TYPE:

WATER
LONG CREEK TOWNSHIP WATER DIST
ATT: WAYNE DOTSON
PHONE: (217) 519-0199

UTILITY TYPE:

WATER
MOULTRIE COUNTY RURAL WATER
ATT: ANGELA EMEL
PHONE: (217) 728-8842

UTILITY TYPE:

GAS PIPELINE
PANHANDLE - TUSCOLA LINE
ATT: DAVID VENIS
PHONE: (217) 253-2361 X5622

UTILITY TYPE:

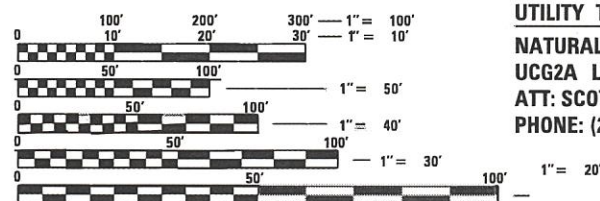
GAS PIPELINE
CHICAP PIPELINE COMPANY
ATT: BLAKE PATRICK
PHONE: (872) 245-3915
PHONE: (630) 281-0342

UTILITY TYPE:

GAS PIPELINE
TALLGRASS ENERGY /ROCKIES EXP P
ATT: JOHN DODWELL
PHONE: (217) 676-2171

UTILITY TYPE:

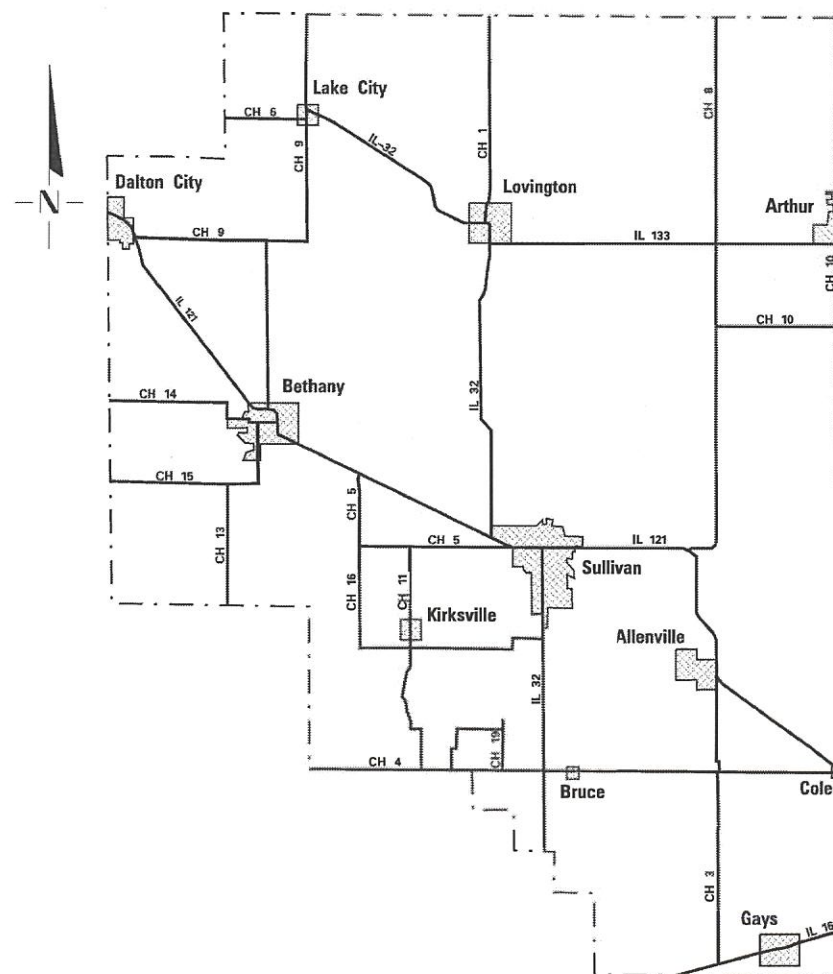
NATURAL GAS
UCG2A LIBERTY UTILITIES-VIRDEN
ATT: SCOTT ETTER
PHONE: (217) 341-1729



FULL SIZE PLANS HAVE BEEN PREPARED USING STANDARD ENGINEERING SCALES. REDUCED SIZED PLANS WILL NOT CONFORM TO STANDARD SCALES. IN MAKING MEASUREMENTS ON REDUCED PLANS, THE ABOVE SCALES MAY BE USED.

J.U.L.I.E.
JOINT UTILITY LOCATION INFORMATION FOR EXCAVATION
1-800-892-0123
OR 811

CONTRACT NO. 95939



LAYOUT
MOULTRIE COUNTY
COUNTY WIDE
(NOT TO SCALE)
(SEE SHEET 10 FOR LOCATIONS)



STATE OF ILLINOIS
DEPARTMENT OF TRANSPORTATION

APPROVED _____ May 6, 20 24
MOULTRIE COUNTY ENGINEER

PASSED _____ 05/21, 20 24
DISTRICT SEVEN ENGINEER OF LOCAL ROADS AND STREETS

RELEASED FOR BID BASED ON LIMITED REVIEW _____ 05/21, 20 24
REGIONAL ENGINEER



Kimberly S. Cummins 5/6/24
ILLINOIS PROFESSIONAL NO. 56816
(Expires 11/30/25)

PRINTED BY THE AUTHORITY
OF THE STATE OF ILLINOIS

GENERAL NOTES

INDEX OF SHEETS

<u>SHEET NO.</u>	<u>TITLE</u>
1	COVER SHEET
2	INDEX OF SHEETS, HIGHWAY STANDARDS, GENERAL NOTES, AND ENTRANCE DETAILS
3-4	SUMMARY OF QUANTITIES
5	TYPICAL SECTIONS
6-7	SCHEDULES OF QUANTITIES
8	LOCATION MAP
9-19	PLAN SHEETS
20	STEEL PLATE BEAM GUARDRAIL (SHORT RADIUS)

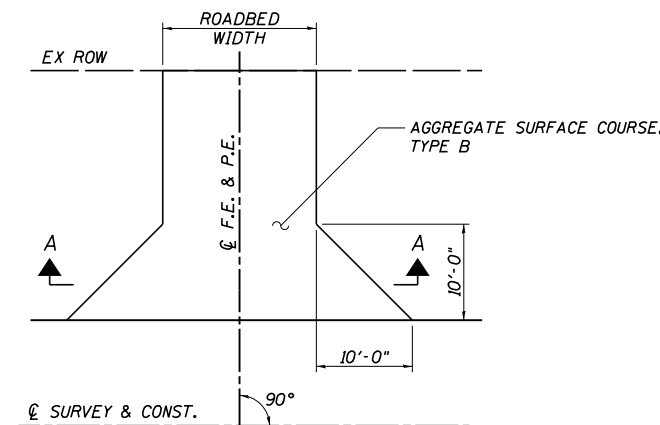
- NO MATERIAL SHALL BE LEFT ON OR NEAR THE ROADWAY DURING NON-WORKING HOURS.
- ARTICLE 701.20 OF THE STANDARD SPECIFICATIONS DISCUSSES AN ADJUSTED UNIT PRICE. NO ADJUSTMENTS SHALL BE MADE TO THE TRAFFIC CONTROL AND PROTECTION PAY ITEMS FOR THIS CONTRACT.
- THE CONTRACTOR IS ADVISED THAT THE GUARDRAIL AND TERMINAL PAY ITEMS INCLUDED IN THE PLANS WILL BE USED TO REPLACE STEEL PLATE BEAM GUARDRAIL AND TRAFFIC BARRIER TERMINALS FOR EITHER CURRENT MIDWEST STYLES OR STEEL PLATE BEAM GUARDRAIL AND TRAFFIC BARRIER TERMINALS INSTALLED PRIOR TO JANUARY 1, 2007. NO ADDITIONAL COMPENSATION WILL BE ALLOWED FOR UTILIZING THE CURRENT MIDWEST STANDARDS.
- ANY REFERENCE TO A STANDARD IN THESE PLANS SHALL BE INTERPRETED TO MEAN THE EDITION AS INDICATED BY THE REVISION NUMBER SHOWN IN THE LIST OF ILLINOIS DOT HIGHWAY STANDARDS OR THE COPY INCLUDED IN THESE PLANS.
- EXISTING VEGETATION AND GROUND SURFACE SHALL BE THOROUGHLY DISTURBED BEFORE FILL IS PLACED. ALL FILL SHALL BE PLACED, SHAPED, AND COMPACTED BEFORE GUARDRAIL IS INSTALLED.
- GUARDRAIL POSTS THAT NEED TO BE DRIVEN THROUGH EXISTING HOT-MIX ASPHALT SHOULDERS WILL NOT BE PAID FOR SEPARATELY, BUT SHALL BE INCLUDED IN THE COST OF STEEL PLATE BEAM GUARDRAIL.
- REMOVED GUARDRAIL THAT IS NOT REPLACED ON THE SAME DAY MUST BE DELINEATED WITH LIGHTED TYPE III BARRICADES. NO LOCATIONS SHALL BE LEFT WITHOUT EITHER LIGHTED BARRICADES OR RESTORED GUARDRAIL AT ANY TIME. CONTRACTOR SHALL MAKE SURE ALL DRUMS AND BARRICADES ARE IN PLACE WHERE GUARDRAIL POSTS ARE REMOVED IN ACCORDANCE WITH ARTICLE 701 OF THE STANDARD SPECIFICATIONS.
- ALL STEEL PLATE BEAM GUARDRAIL RAIL ELEMENTS, POSTS AND HARDWARE THAT ARE NOT REINCORPORATED INTO THE PROJECT SHALL BECOME THE PROPERTY OF THE CONTRACTOR. THIS WORK WILL INCLUDE THE REMOVAL, HAULING, AND DISPOSAL OF ALL MATERIAL AND SHALL BE INCLUDED IN THE COST OF THE REMOVAL ITEMS.
- FURNISHED EXCAVATION, AS SHOWN, IS FOR CONSTRUCTION THE PROPOSED SHOULDER WIDENING FOR TYPE I (SPECIAL) GUARDRAIL TERMINALS AND FOR SHOULDER WIDENING ALONG STEEL PLATE BEAM GUARDRAIL AS NEEDED. SHOULDER WIDENING AT TYPE I (SPECIAL) TERMINALS SHALL BE AS SHOWN ON STANDARD 630301. SHOULDER WIDENING AT STEEL PLATE BEAM GUARDRAIL TYPE A, SIX FOOT POSTS WILL BE TWO FEET BEHIND THE POST AS SHOWN ON STANDARD 630001. SHOULDER WIDENING AT STEEL PLATE BEAM GUARDRAIL TYPE A, NINE FOOT POSTS WILL BE TO THE FACE OF THE POST AS SHOWN ON STANDARD 630001. QUANTITIES SHOWN ARE APPROXIMATE.
- TEMPORARY SEEDING OPERATION SHALL BE COMPLETED WITHIN 3 DAYS OF COMPLETING GUARDRAIL WORK.
- SEEDING WILL NOT BE PERMITTED AT ANY TIME WHEN THE GROUND IS FROZEN, WET, OR IN AN UNTILLABLE CONDITION. LOCATIONS TO BE SEEDED WILL BE DETERMINED BY THE ENGINEER. THE TOTAL DISTURBANCE AREA IS NOT CONTIGUOUS AND IS DISTRIBUTED THROUGHOUT THE INDIVIDUAL LOCATIONS AS SHOWN IN THE PLANS.
- THE FINISHED EARTHWORK SHALL HAVE A VEGETATION SUSTAINING SOIL COVERING THE TOP FOUR INCHES IN AREAS TO BE SEEDED. THE VEGETATION SUSTAINING SOIL REQUIRED WILL NOT BE PAID FOR SEPARATELY BUT SHALL BE INCLUDED IN THE COST OF FURNISHED EXCAVATION.
- NO OVERNIGHT LANE CLOSURES WILL BE ALLOWED.

APPLICATION RATES USED IN QUANTITY CALCULATIONS
 TEMPORARY EROSION CONTROL SEEDING _____ .100 LBS/ACRE
 GRANULAR MATERIALS _____ .2.05 TONS/CU YD

COMMITMENTS
 NONE AT THIS TIME

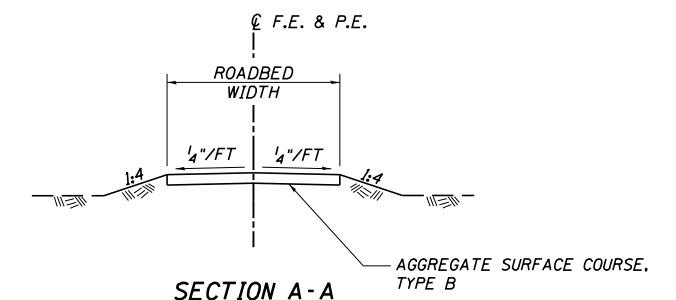
LIST OF ILLINOIS DOT HIGHWAY STANDARDS

000001-08	STANDARD SYMBOLS, ABBREVIATIONS AND PATTERNS
280001-07	TEMPORARY EROSION CONTROL SYSTEMS
630001-13	STEEL PLATE BEAM GUARDRAIL
630301-09	SHOULDER WIDENING FOR TYPE I (SPECIAL) GUARDRAIL TERMINALS
631011-10	TRAFFIC BARRIER TERMINAL, TYPE 2
631026-06	TRAFFIC BARRIER TERMINAL, TYPE 5
631031-18	TRAFFIC BARRIER TERMINAL, TYPE 6
701001-02	OFF-ROAD OPERATIONS, 2L, 2W, MORE THAN 15' AWAY
701006-05	OFF-ROAD OPERATIONS, 2L, 2W, 15' TO 24" FROM PAVEMENT EDGE
701201-05	LANE CLOSURE, 2L, 2W, DAY ONLY, FOR SPEEDS > 45 MPH
701901-09	TRAFFIC CONTROL DEVICES
725001-01	OBJECT AND TERMINAL MARKERS
729001-01	APPLICATIONS OF TYPES A & B METAL POSTS (FOR SIGNS & MARKERS)
731001-01	BASE FOR TELESCOPING STEEL SIGN SUPPORT
782006-01	GUARDRAIL AND BARRIER WALL REFLECTOR MOUNTING DETAILS
BLR 21-9	TYPICAL APPLICATION OF TRAFFIC CONTROL DEVICES FOR CONSTRUCTION ON RURAL LOCAL HIGHWAYS
BLR 27-1	TRAFFIC BARRIER TERMINAL TYPE 5A



ENTRANCE DETAIL

SEE ENTRANCE SCHEDULE FOR LOCATIONS AND WIDTHS



SECTION A-A

**MOULTRIE COUNTY
 GUARDRAIL IMPROVEMENTS**

**INDEX OF SHEETS, HIGHWAY STANDARDS,
 GENERAL NOTES, AND ENTRANCE DETAILS**

SCALE: SHEET OF SHEETS STA. TO STA.

ROUTE VARIOUS	SECTION	COUNTY	TOTAL SHEETS	SHEET NO.
	21-00081-00-GR	MOULTRIE	20	2
			CONTRACT NO. 95939	
ILLINOIS FED. AID PROJECT				

MODEL: Default
 FILE: Moultrie_20230607_1.mxd
 USER: CADD\Shreesh26471_1.shreesh.dgn

CEC Cummins
 Engineering
 Corporation
 Civil and Structural Engineering

JOB = 2647.1
 FILE NAME = 2647.1-shr-gen.dgn
 PLOT SCALE = 100,0000' / in.
 PLOT DATE = 5/6/2024

DESIGNED - CGF
 DRAWN - SJS
 CHECKED - THF
 DATE - 11/29/2022

REVISED -
 REVISED -
 REVISED -
 REVISED -

SUMMARY OF QUANTITIES

CODE NO.	ITEM	UNIT	TOTAL QUANTITY
* 20200100	EARTH EXCAVATION	CU YD	360
* 21400100	GRADING AND SHAPING DITCHES	FOOT	461
28000250	TEMPORARY EROSION CONTROL SEEDING	POUND	97
28000305	TEMPORARY DITCH CHECKS	FOOT	40
28000400	PERIMETER EROSION BARRIER	FOOT	822
28000500	INLET AND PIPE PROTECTION	EACH	6
28100805	STONE DUMPED RIPRAP, CLASS A3	TON	80
* 40200800	AGGREGATE SURFACE COURSE, TYPE B	TON	249
* 44004000	PAVED DITCH REMOVAL	FOOT	327
* 50105220	PIPE CULVERT REMOVAL	FOOT	215
* 542D0220	PIPE CULVERTS, CLASS D, TYPE 1 15"	FOOT	200
63000001	STEEL PLATE BEAM GUARDRAIL, TYPE A, 6 FOOT POSTS	FOOT	362.5
63000003	STEEL PLATE BEAM GUARDRAIL, TYPE A, 9 FOOT POSTS	FOOT	275.0
63000009	STEEL PLATE BEAM GUARDRAIL, TYPE B, 9 FOOT POSTS	FOOT	100.0

SUMMARY OF QUANTITIES

CODE NO.	ITEM	UNIT	TOTAL QUANTITY
63100045	TRAFFIC BARRIER TERMINAL, TYPE 2	EACH	3
63100070	TRAFFIC BARRIER TERMINAL, TYPE 5	EACH	3
63100075	TRAFFIC BARRIER TERMINAL, TYPE 5A	EACH	8
63100085	TRAFFIC BARRIER TERMINAL, TYPE 6	EACH	13
63100167	TRAFFIC BARRIER TERMINAL, TYPE 1 (SPECIAL) TANGENT	EACH	25
63200310	GUARDRAIL REMOVAL	FOOT	2,288
67100100	MOBILIZATION	L SUM	1
70100450	TRAFFIC CONTROL AND PROTECTION, STANDARD 701201	L SUM	1
72400500	RELOCATE SIGN PANEL ASSEMBLY - TYPE A	EACH	4
72500300	OBJECT MARKER - TYPE 3	EACH	4
72501000	TERMINAL MARKER - DIRECT APPLIED	EACH	25
72800100	TELESCOPING STEEL SIGN SUPPORT	FOOT	48
78200005	GUARDRAIL REFLECTORS, TYPE A	EACH	132
X2501000	SEEDING, CLASS 2 (SPECIAL)	ACRE	1.00

* SPECIALTY ITEMS

MODEL: 4P00ELMANEX
FILE NAME: STLELS



JOB # 2647.1
FILE NAME # SFILES5
PLOT SCALE # \$SCALES
PLOT DATE # \$DATES

DESIGNED - CGF
DRAWN - SJS
CHECKED - THF
DATE - 11/29/2022

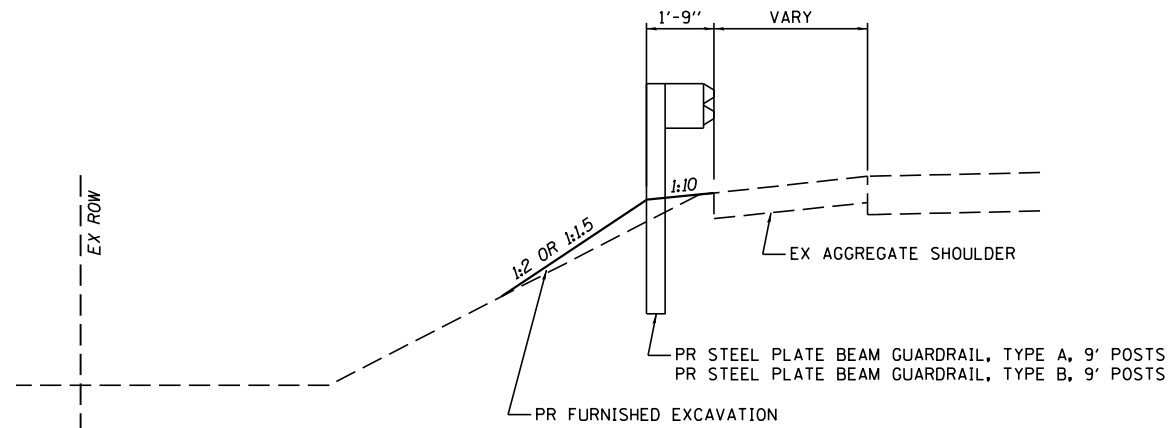
REVISED -
REVISED -
REVISED -
REVISED -

MOULTRIE COUNTY
GUARDRAIL IMPROVEMENTS

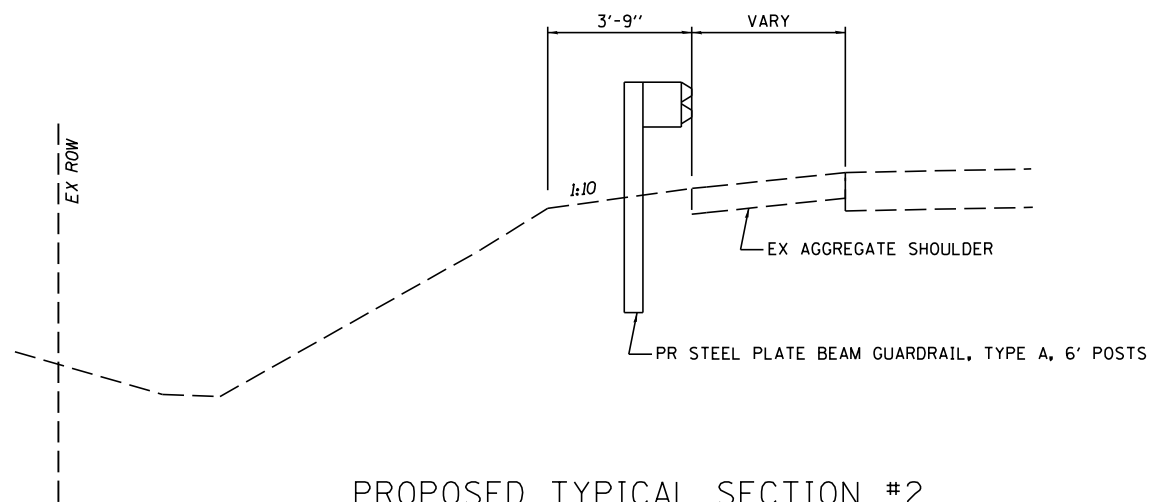
SUMMARY OF QUANTITIES

SCALE: SHEET OF SHEETS STA. TO STA.

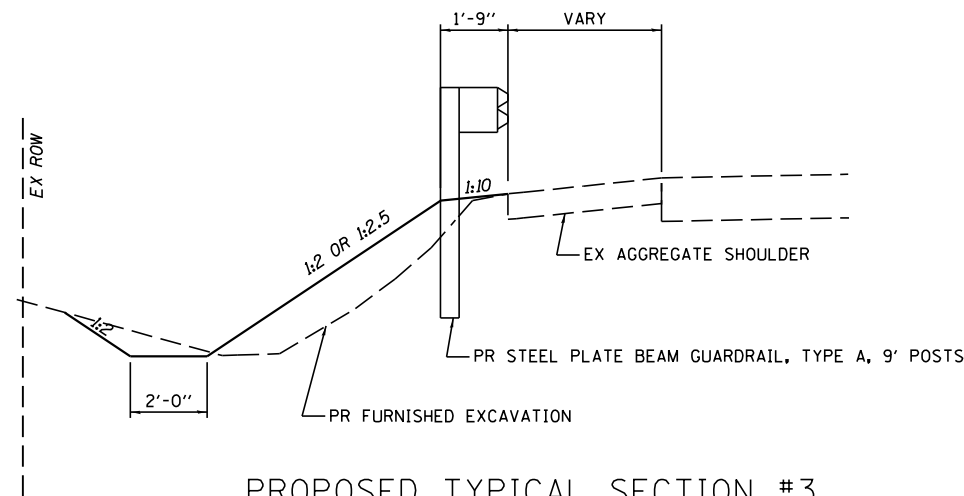
ROUTE VARIOUS	SECTION	COUNTY	TOTAL SHEETS	SHEET NO.
	21-00081-00-GR	MOULTRIE	20	3
ILLINOIS FED. AID PROJECT			CONTRACT NO. 95939	



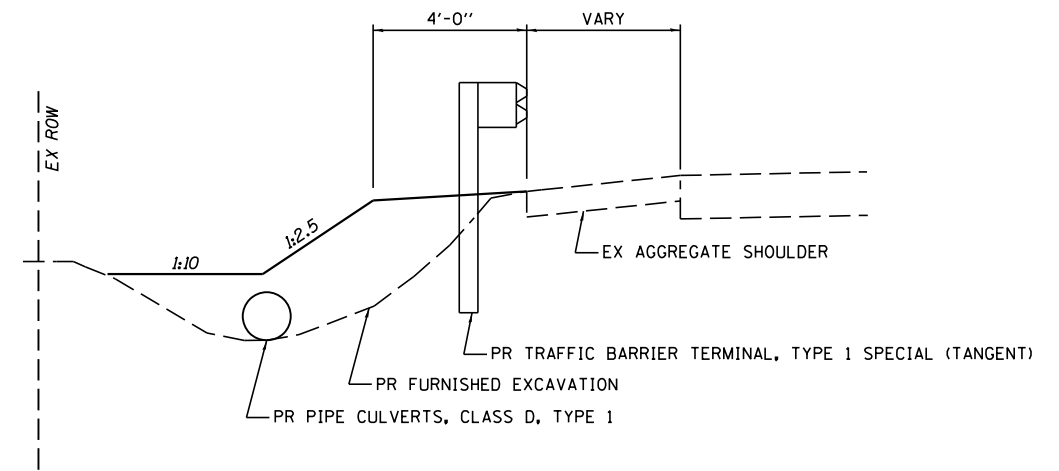
PROPOSED TYPICAL SECTION #1
GUARDRAIL WITH 9' POSTS



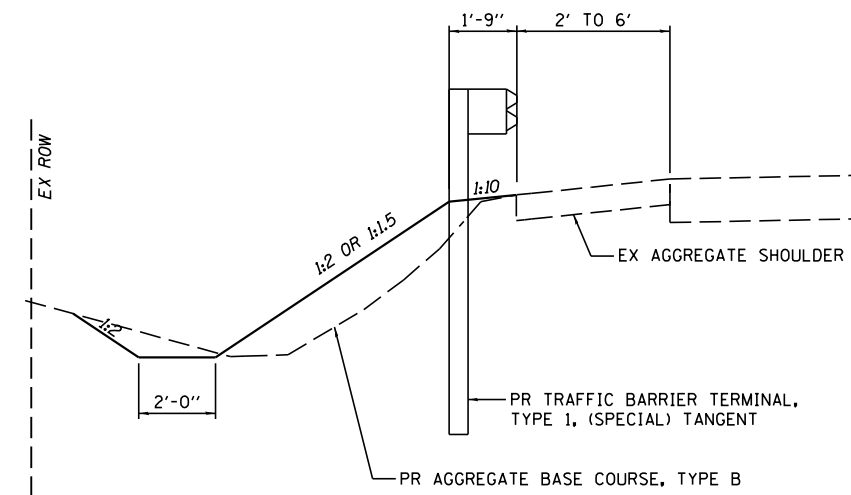
PROPOSED TYPICAL SECTION #2
GUARDRAIL WITH 6' POSTS



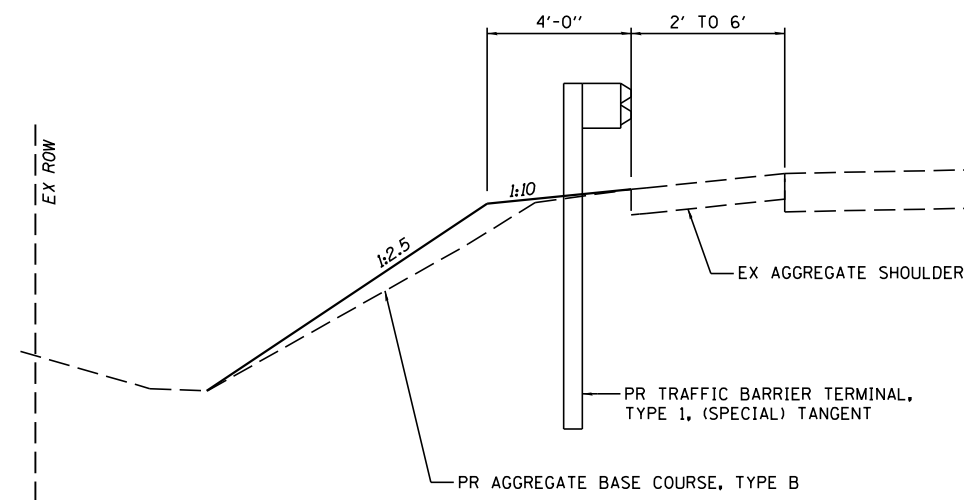
PROPOSED TYPICAL SECTION #3
PR GRADING AND SHAPING DITCHES



PROPOSED TYPICAL SECTION #4
PR PIPE CULVERT AT TYPE 1 TERMINAL



PROPOSED TYPICAL SECTION #5
PR GRADING AND SHAPING DITCHES



PROPOSED TYPICAL SECTION #6
TRAFFIC BARRIER TERMINAL, TYPE 1, (SPECIAL) TANGENT

MODEL: 1400BELNAMES
FILE NAME: 31125

CEC Cummins
Engineering
Corporation
Civil and Structural Engineering

JOB = 2647.1
FILE NAME = \$FILES\$
PLOT SCALE = \$SCALES\$
PLOT DATE = \$DATES\$

DESIGNED - CGF
DRAWN - SJS
CHECKED - THF
DATE - 11/29/2022

REVISED -
REVISED -
REVISED -
REVISED -

**MOULTRIE COUNTY
GUARDRAIL IMPROVEMENTS**

TYPICAL SECTIONS

SCALE: SHEET OF SHEETS STA. TO STA.

ROUTE VARIOUS	SECTION	COUNTY	TOTAL SHEETS	SHEET NO.
	21-00081-00-GR	MOULTRIE	20	5
CONTRACT NO. 95939				
ILLINOIS FED. AID PROJECT				

EARTHWORK

LOCATION	EARTH EXCAVATION	EXCAVATION ADJUSTED FOR SHRINKAGE	EMBANKMENT	EARTHWORK BALANCE WASTE (+) OR SHORTAGE (-)
	CU YD	CU YD	CU YD	CU YD
5	0	0	10	-10
6	0	0	15	-15
7	5	5	30	-25
8	0	0	5	-5
9	0	0	10	-10
11	80	60	30	30
12	0	0	5	-5
13	270	205	140	65
15	0	0	25	-25
22	5	5	5	0

TOTAL 360 275 275 0

LOCATION NUMBER	STATION	TYPE	WIDTH	AGGREGATE SURFACE COURSE, TYPE B
			FOOT	TON
6	NE	FE	24	19
	NE	FE	24	20
	SE	FE	30	23
	SW	FE	35	57
11	LT	FE	35	33
	LT	FE	35	33
	RT	FE	35	31
	RT	FE	35	33

TOTAL 249

LOCATION NUMBER	QUADRANT (NE, SE, NW, SW, LEFT, RIGHT)	PIPE CULVERT REMOVAL
		FOOT
6	NE	30
	SW	34
11	LT	59
	RT	92

TOTAL 215

LOCATION NUMBER	QUADRANT (NE, SE, NW, SW, LEFT, RIGHT)	PIPE CULVERTS, CLASS D, TYPE 1 15"
		FOOT
6	NE	44
	SW	50
11	LT	106

TOTAL 200

LOCATION NUMBER	QUADRANT (NE, SE, NW, SW, LEFT, RIGHT)	TEMPORARY EROSION CONTROL SEEDING	PERIMETER EROSION BARRIER	INLET AND PIPE PROTECION	GRADING AND SHAPING DITCHES	TEMPORARY DITCH CHECKS
		POUND	FOOT	EACH	FOOT	FOOT
5	NE	2.2				
	NW	2.8				
6	NE	1.5	28	2		
	SE	0.8	24	1		
	SW	9.4		1	87	8
7	NE	2.8				
	NW	3.8	141			
	SE	3.2	98			
8	NW	1.4				
	SW	1.3				
9	LT	2.0				
11	LT	8.9		2	108	16
	RT	8.7			170	16
12	NW	2.0	97			
13	SW	19.1			71	
	SE	17.4			25	
15	NE	3.1				
	NW	2.9				
22	NE		136			
	NW		81			
	SE	2.3	136			
	SW	1.4	81			

TOTAL 97 822 6 461 40

LOCATION NUMBER	QUADRANT (NE, SE, NW, SW, LEFT, RIGHT)	RELOCATE SIGN PANEL ASSEMBLY - TYPE A
		EACH
5	NE	1
	NW	1
	SE	1
	SW	1

TOTAL 4

LOCATION NUMBER	QUADRANT (NE, SE, NW, SW, LEFT, RIGHT)	PAVED DITCH REMOVAL
		FOOT
13	SW	164
	SE	163

TOTAL 327

LOCATION NUMBER	QUADRANT (NE, SE, NW, SW, LEFT, RIGHT)	STONE DUMPED RIPRAP, CLASS A3
		TON
13	SW	39
	SE	41

TOTAL 80

LOCATION NUMBER	QUADRANT (NE, SE, NW, SW, LEFT, RIGHT)	SEEDING, CLASS 2 (SPECIAL)
		ACRE
5	NE	0.022
	NW	0.028
6	NE	0.015
	SE	0.008
	SW	0.094
7	NE	0.028
	NW	0.038
	SE	0.032
8	NW	0.014
	SW	0.013
9	LT	0.020
11	LT	0.089
	RT	0.087
12	NW	0.020
13	SW	0.191
	SE	0.174
15	NE	0.031
	NW	0.029
22	SE	0.023
	SW	0.014

TOTAL USE 0.970 1.00

MODEL: S:\MODELS\MAMES
FILE NAME: STILES



JOB = 2647.1	DESIGNED - CGF	REVISED -
FILE NAME = \$FILES\$	DRAWN - SJS	REVISED -
PLOT SCALE = \$SCALES	CHECKED - THF	REVISED -
PLOT DATE = \$DATES	DATE - 11/29/2022	REVISED -

MOULTRIE COUNTY
GUARDRAIL IMPROVEMENTS

SCHEDULES OF QUANTITIES

SCALE: SHEET OF SHEETS STA. TO STA.

ROUTE VARIOUS	SECTION	COUNTY	TOTAL SHEETS	SHEET NO.
	21-00081-00-GR	MOULTRIE	20	6
			CONTRACT NO. 95939	
ILLINOIS FED. AID PROJECT				

LOCATION NUMBER	QUADRANT (NE, SE, NW, SW, LEFT, RIGHT)	SPBGR, TY A, 6' POSTS	SPBGR, TY A, 9' POSTS	SPBGR, TY B, 9' POSTS	SPBGR TYPE A (SPECIAL)	SPBGR (SHORT RADIUS)	TBT TY 1 (SPECIAL) TANGENT	TBT TYPE 2	TBT TYPE 5	TBT TYPE 5A	TBT TYPE 6	GUARDRAIL REMOVAL	GUARDRAIL REMOVAL (SPECIAL)	GUARDRAIL REFLECTORS, TYPE A	TERMINAL MARKER - DIRECT APPLIED	OBJECT MARKER - TYPE 3	TELESCOPING STEEL SIGN SUPPORT	GUARDRAIL BLOCKS
		FOOT	FOOT	FOOT	FOOT	FOOT	50'	EACH	EACH	EACH	EACH	EACH	FOOT	FOOT	EACH	EACH	EACH	FOOT
5	NE						1				1	100.0		4	1			
	NW						1				1	100.0		4	1			
	SE	50.0						1	1			75.0		4				
	SW						1				1	100.0		4	1			
6	NE					25.0				1		45.0		4				
	NW	50.0					1			1		96.0		4	1			
	SE					25.0				1		45.0		4				
	SW	50.0					1			1		108.0		4	1			
7	NE						1				1	100.0		4	1			
	NW		12.5				1				1	100.0		4	1			
	SE	12.5					1				1	100.0		4	1			
	SW	25.0							1			37.5		4				
8	NE					25.0		1	1			37.5		4				
	NW						1				1	100.0		4	1			
	SE						1				1	100.0		4	1			
	SW						1				1	100.0		4	1			
9	LT		75.0			25.0	1					107.0		4	1			
10	LT															2	24	
	RT															2	24	
11	LT		25.0	50.0	25.0		2						31.0	8	2			
	RT		12.5	50.0	25.0		2						29.0	8	2			
12	NE	75.0										66.0		4				5
	NW						1							4	1			5
	SE						1							4	1			5
	SW	12.5				25.0						46.0		4				5
15	NE		25.0				1				1	112.5		4	1			
	NW		25.0				1				1	112.5		4	1			
	SE	25.0					1				1	112.5		4	1			
	SW	25.0					1				1	112.5		4	1			
22	NW	37.5					1			1		37.5		4	1			
	NE						1				1	100.0		4	1			
	SE		37.5				1				1	37.5		4	1			
	SW		62.5			37.5		1		1		100.0		4				
TOTAL		362.5	275.0	100.0	50.0	162.5	25	3	3	8	13	2,288.0	60.0	132	25	4	48	20
ROUNDED TOTAL												2,288	60					

MODEL: 140DELMAMES
FILE NAME: 31123



JOB = 2647.1	DESIGNED - CGF	REVISED -
FILE NAME = \$FILES\$	DRAWN - SJS	REVISED -
PLOT SCALE = \$SCALES\$	CHECKED - THF	REVISED -
PLOT DATE = \$DATES\$	DATE - 11/29/2022	REVISED -

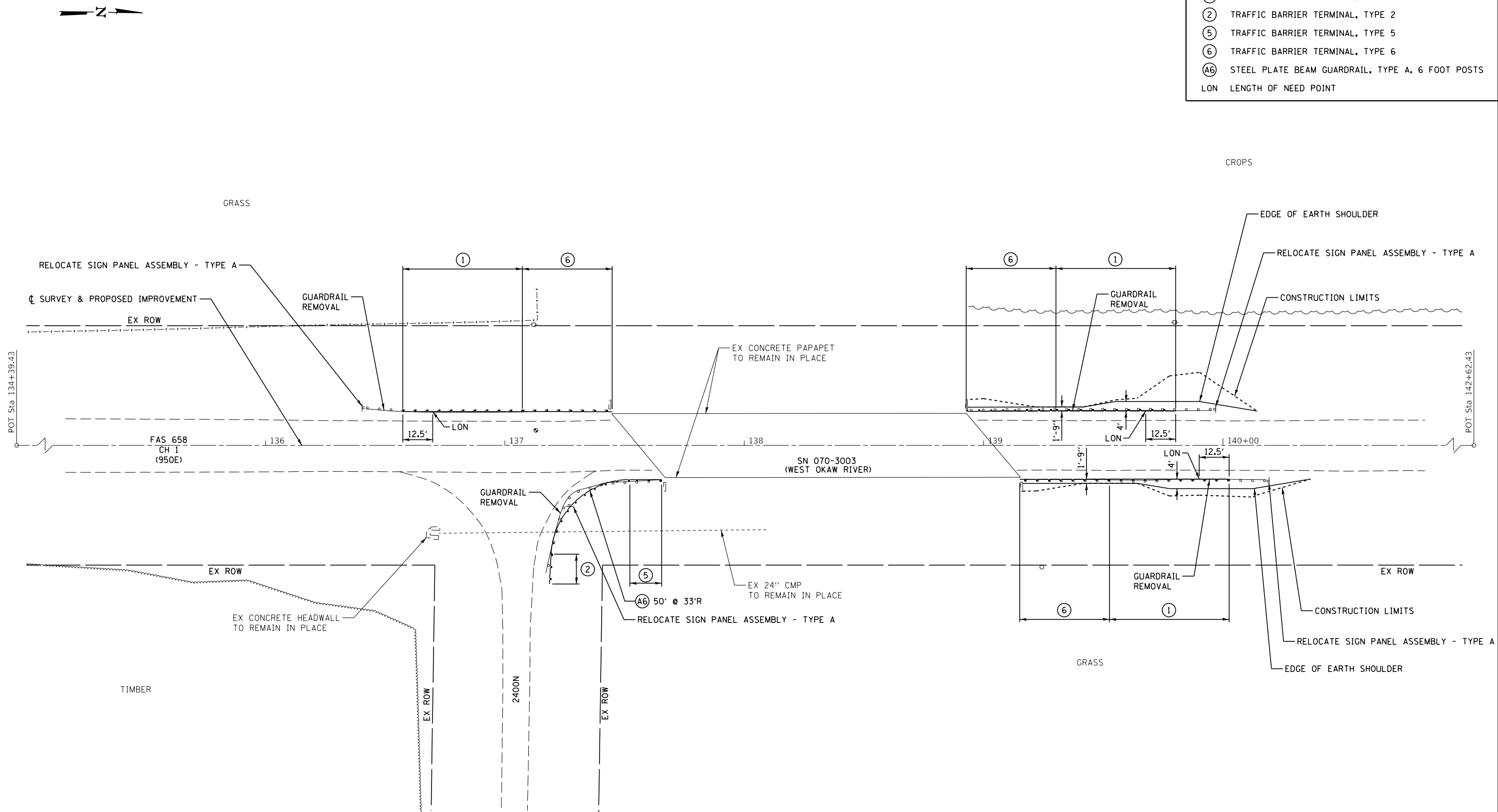
**MOULTRIE COUNTY
GUARDRAIL IMPROVEMENTS**

SCHEDULES OF QUANTITIES

SCALE: SHEET OF SHEETS STA. TO STA.

ROUTE VARIOUS	SECTION	COUNTY	TOTAL SHEETS	SHEET NO.
	21-00081-00-GR	MOULTRIE	20	7
			CONTRACT NO. 95939	
ILLINOIS FED. AID PROJECT				

- ① TRAFFIC BARRIER TERMINAL, TYPE 1 (SPECIAL) TANGENT
- ② TRAFFIC BARRIER TERMINAL, TYPE 2
- ⑤ TRAFFIC BARRIER TERMINAL, TYPE 5
- ⑥ TRAFFIC BARRIER TERMINAL, TYPE 6
- Ⓐ STEEL PLATE BEAM GUARDRAIL, TYPE A, 6 FOOT POSTS
- LON LENGTH OF NEED POINT



☉ LOCATION NO. 5

CONTROL POINT	STATION	COORDINATES	
		NORTHING	EASTING
POT	134+39.43	1124152.3221	899534.9537
POT	142+62.43	1124975.2221	899521.9109

LOCATION NO. 5
 MAJOR COLLECTOR
 ADT 350 (2021)
 DESIGN SPEED 40 MPH

MODEL: 1400BELNAMES
FILE NAME: 31125

CEC Cummins
 Engineering
 Corporation
 Civil and Structural Engineering

JOB = 2647.1
 FILE NAME = \$FILES\$
 PLOT SCALE = \$SCALES\$
 PLOT DATE = \$DATES\$

DESIGNED - CGF
 DRAWN - SJS
 CHECKED - THF
 DATE - 11/29/2022

REVISED -
 REVISED -
 REVISED -
 REVISED -

**MOULTRIE COUNTY
 GUARDRAIL IMPROVEMENTS**

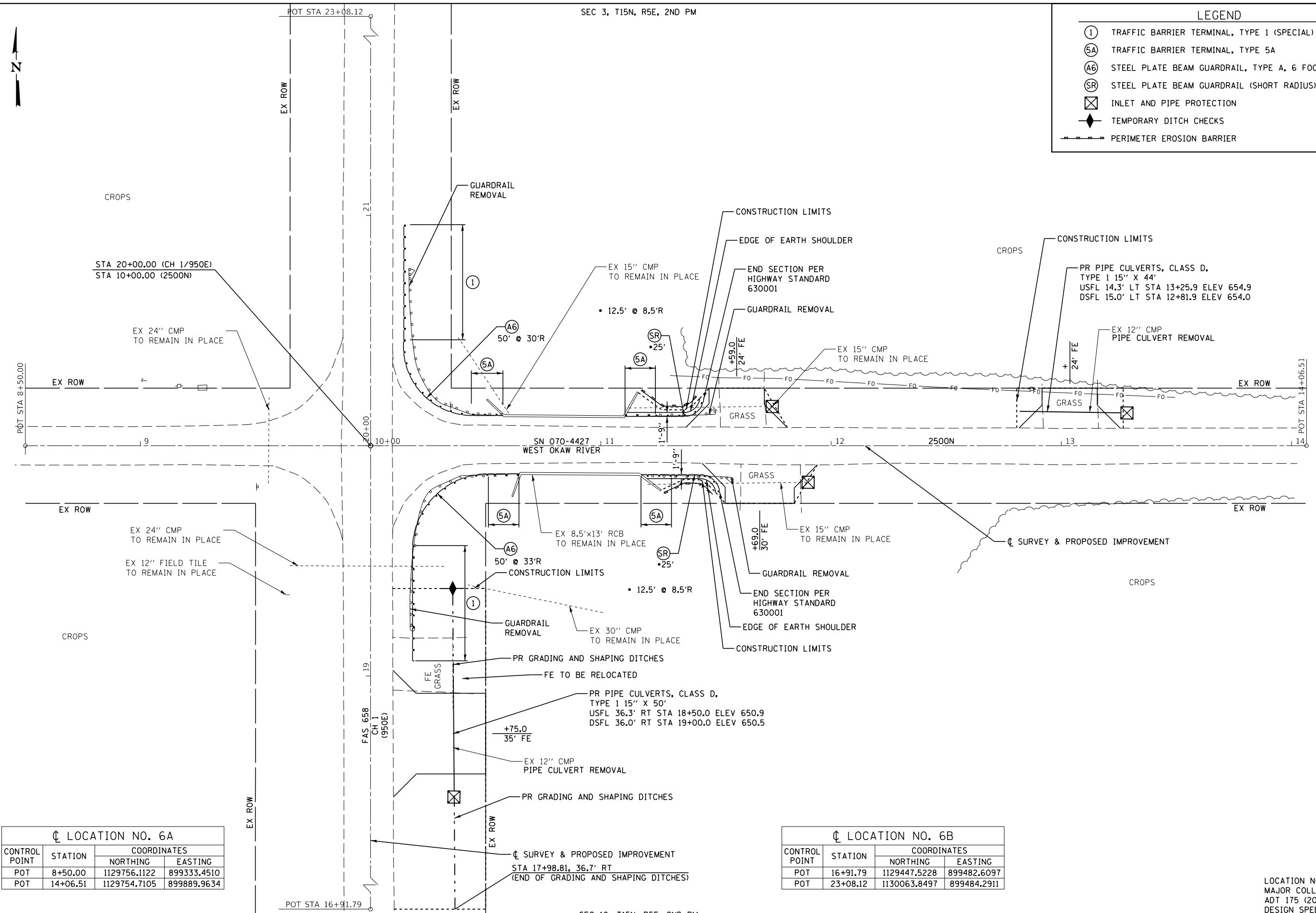
PLAN - LOCATION 5

SCALE: SHEET OF SHEETS STA. TO STA.

ROUTE VARIOUS	SECTION	COUNTY	TOTAL SHEETS	SHEET NO.
	21-00081-00-GR	MOULTRIE	20	9
CONTRACT NO. 95939				
ILLINOIS FED. AID PROJECT				

LEGEND

- ① TRAFFIC BARRIER TERMINAL, TYPE 1 (SPECIAL) TANGENT
- ⑤A TRAFFIC BARRIER TERMINAL, TYPE 5A
- Ⓐ6 STEEL PLATE BEAM GUARDRAIL, TYPE A, 6 FOOT POSTS
- ⒶR STEEL PLATE BEAM GUARDRAIL (SHORT RADIUS)
- ⊠ INLET AND PIPE PROTECTION
- ◆ TEMPORARY DITCH CHECKS
- PERIMETER EROSION BARRIER



CL LOCATION NO. 6A

CONTROL POINT	STATION	COORDINATES	
		NORTHING	EASTING
POT	8+50.00	1129756.1122	899333.4510
POT	14+06.51	1129754.7105	899889.9634

CL LOCATION NO. 6B

CONTROL POINT	STATION	COORDINATES	
		NORTHING	EASTING
POT	16+91.79	1129447.5228	899482.6097
POT	23+08.12	1130063.8497	899484.2911

LOCATION NO. 6
MAJOR COLLECTOR
ADT 175 (2020)
DESIGN SPEED 40 MPH

MODEL: S:\MODELS\MAMES
FILE NAME: STILES



JOB = 2647.1
FILE NAME = \$FILES\$
PLOT SCALE = \$SCALES\$
PLOT DATE = \$DATES\$

DESIGNED - CGF
DRAWN - SJS
CHECKED - THF
DATE - 11/29/2022

REVISED -
REVISED -
REVISED -
REVISED -

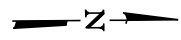
**MOULTRIE COUNTY
GUARDRAIL IMPROVEMENTS**

PLAN - LOCATION 6

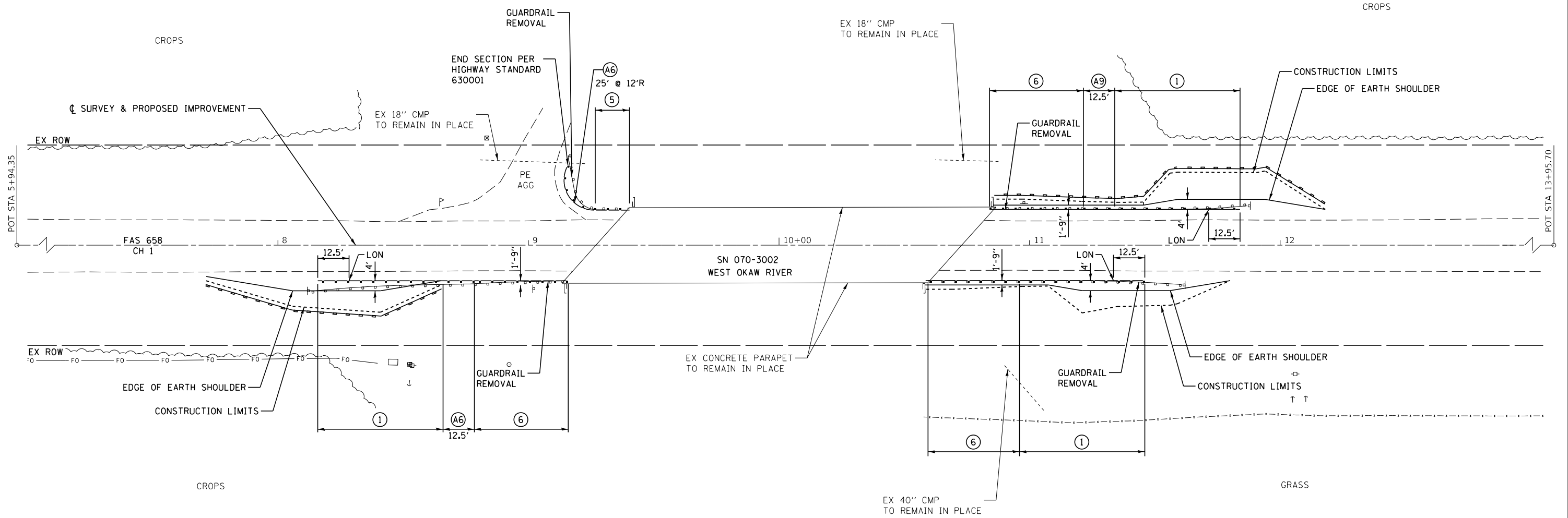
SCALE: SHEET OF SHEETS STA. TO STA.

ROUTE VARIOUS	SECTION	COUNTY	TOTAL SHEETS	SHEET NO.
	21-00081-00-GR	MOULTRIE	20	10
CONTRACT NO. 95939				

ILLINOIS FED. AID PROJECT



LEGEND	
①	TRAFFIC BARRIER TERMINAL, TYPE 1 (SPECIAL) TANGENT
⑤	TRAFFIC BARRIER TERMINAL, TYPE 5
⑥	TRAFFIC BARRIER TERMINAL, TYPE 6
Ⓐ6	STEEL PLATE BEAM GUARDRAIL, TYPE A, 6 FOOT POSTS
Ⓐ9	STEEL PLATE BEAM GUARDRAIL, TYPE A, 9 FOOT POSTS
LON	LENGTH OF NEED POINT
---	PERIMETER EROSION BARRIER



☉ LOCATION NO. 7

CONTROL POINT	STATION	COORDINATES	
		NORTHING	EASTING
POT	5+94.35	1132111.4930	899495.3119
POT	13+95.70	1132912.8267	899500.8397

LOCATION NO. 7
 MAJOR COLLECTOR
 ADT 175 (2020)
 DESIGN SPEED 40 MPH

MODEL: S:\MODELS\MAMES FILE NAME: STILES



JOB = 2647.1
 FILE NAME = \$FILES\$
 PLOT SCALE = \$SCALES\$
 PLOT DATE = \$DATES\$

DESIGNED - CGF
 DRAWN - SJS
 CHECKED - THF
 DATE - 5/5/2022

REVISED -
 REVISED -
 REVISED -
 REVISED -

**MOULTRIE COUNTY
 GUARDRAIL IMPROVEMENTS**

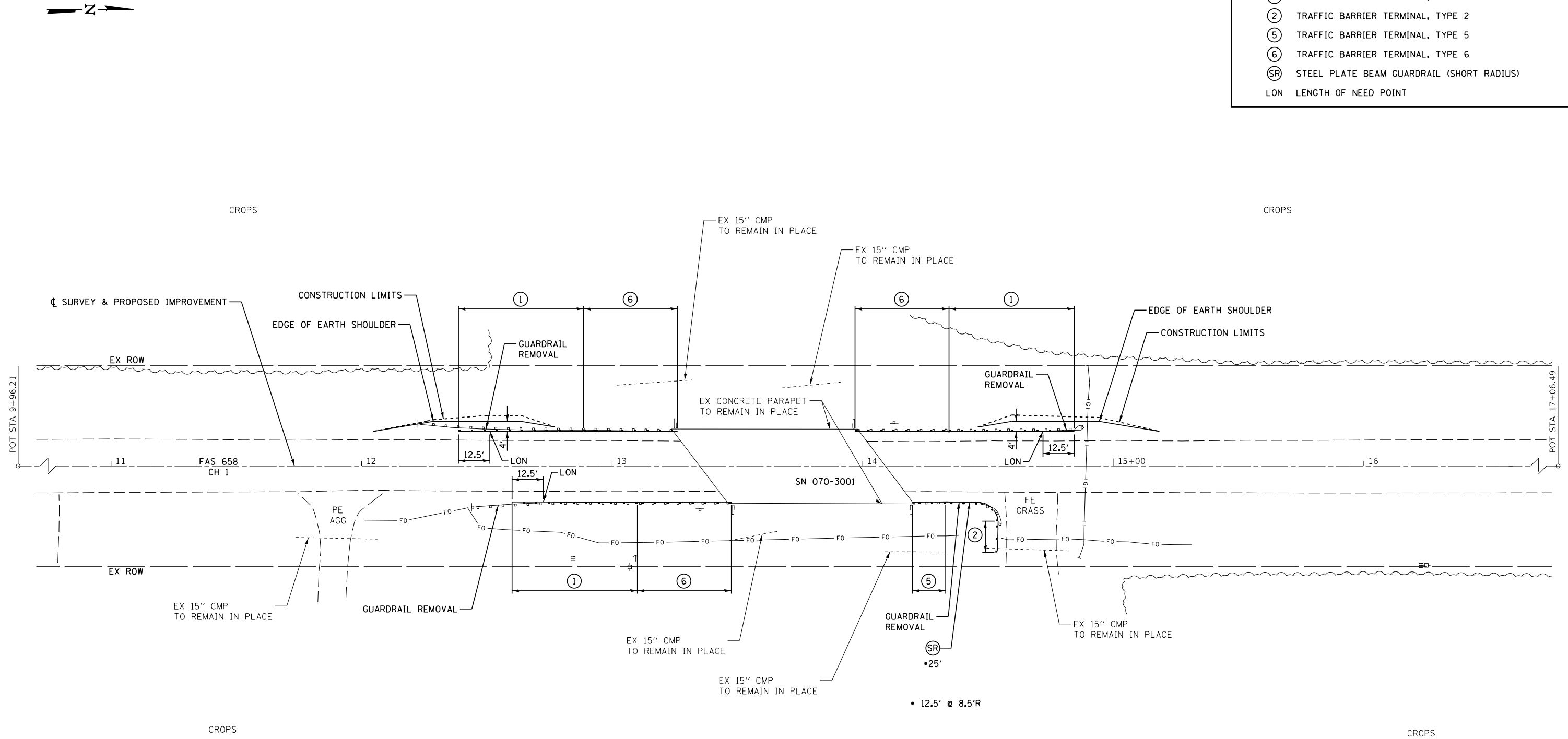
PLAN - LOCATION 7

SCALE: SHEET OF SHEETS STA. TO STA.

ROUTE VARIOUS	SECTION	COUNTY	TOTAL SHEETS	SHEET NO.
	21-00081-00-GR	MOULTRIE	20	11
CONTRACT NO. 95939				
ILLINOIS FED. AID PROJECT				

LEGEND

- ① TRAFFIC BARRIER TERMINAL, TYPE 1 (SPECIAL) TANGENT
- ② TRAFFIC BARRIER TERMINAL, TYPE 2
- ⑤ TRAFFIC BARRIER TERMINAL, TYPE 5
- ⑥ TRAFFIC BARRIER TERMINAL, TYPE 6
- SR STEEL PLATE BEAM GUARDRAIL (SHORT RADIUS)
- LON LENGTH OF NEED POINT



LOCATION NO. 8

CONTROL POINT	STATION	COORDINATES	
		NORTHING	EASTING
POT	6+26.06	1136622.1004	899512.7111
POT	13+36.34	1137332.3828	899512.0866

LOCATION NO. 8
 MAJOR COLLECTOR
 ADT 175 (2020)
 DESIGN SPEED 40 MPH

MODEL: \\MODEL\FILES
FILE NAME: ST115



JOB = 2647.1
 FILE NAME = \$FILES\$
 PLOT SCALE = \$SCALES\$
 PLOT DATE = \$DATES\$

DESIGNED - CGF
 DRAWN - SJS
 CHECKED - THF
 DATE - 5/5/2022

REVISED -
 REVISED -
 REVISED -
 REVISED -

**MOULTRIE COUNTY
 GUARDRAIL IMPROVEMENTS**

PLAN - LOCATION 8

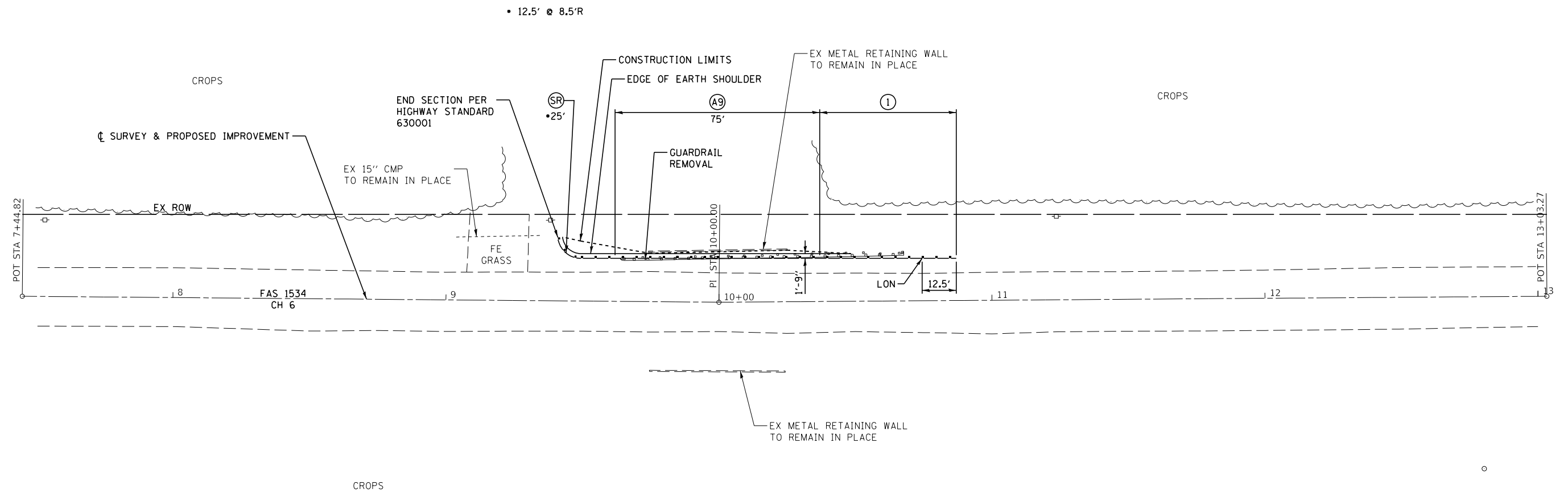
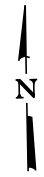
SCALE: SHEET OF SHEETS STA. TO STA.

ROUTE VARIOUS	SECTION	COUNTY	TOTAL SHEETS	SHEET NO.
	21-00081-00-GR	MOULTRIE	20	12
CONTRACT NO. 95939				

ILLINOIS FED. AID PROJECT

LEGEND

- ① TRAFFIC BARRIER TERMINAL, TYPE 1 (SPECIAL) TANGENT
- Ⓐ STEEL PLATE BEAM GUARDRAIL, TYPE A, 9 FOOT POSTS
- Ⓡ STEEL PLATE BEAM GUARDRAIL (SHORT RADIUS)
- LON LENGTH OF NEED POINT



☉ LOCATION NO. 9

CONTROL POINT	STATION	COORDINATES	
		NORTHING	EASTING
POT	7+44.83	1124711.2104	870728.9477
POT	10+00.00	1124704.3638	870984.0397
POT	13+03.26	1124701.0104	871287.2873

LOCATION NO. 9
 MAJOR COLLECTOR
 ADT 325 (2020)
 DESIGN SPEED 40 MPH

MODEL: MODELNAMES
FILE NAME: \$FILES



JOB = 2647.1
 FILE NAME = \$FILES
 PLOT SCALE = \$SCALE
 PLOT DATE = \$DATE

DESIGNED - CGF
 DRAWN - SJS
 CHECKED - THF
 DATE - 11/29/2022

REVISED -
 REVISED -
 REVISED -
 REVISED -

**MOULTRIE COUNTY
 GUARDRAIL IMPROVEMENTS**

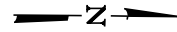
PLAN - LOCATION 9

SCALE: SHEET OF SHEETS STA. TO STA.

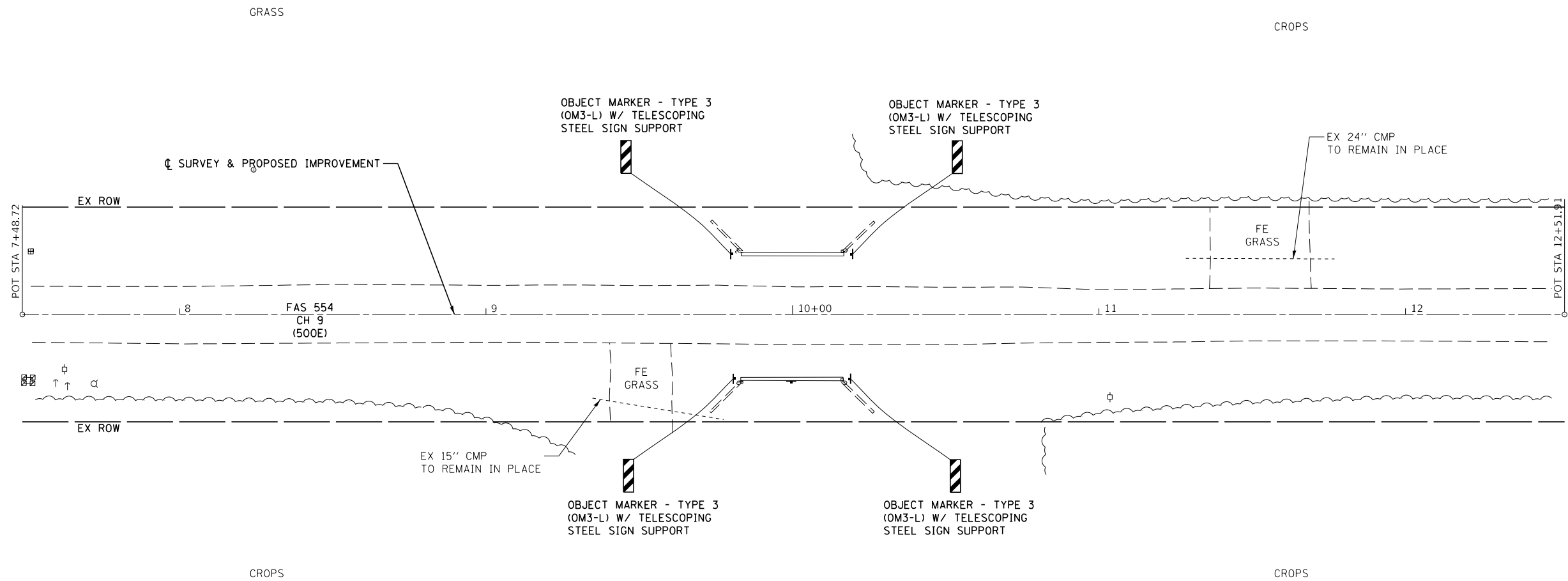
ROUTE VARIOUS	SECTION	COUNTY	TOTAL SHEETS	SHEET NO.
	21-00081-00-GR	MOULTRIE	20	13
CONTRACT NO. 95939				

ILLINOIS FED. AID PROJECT

- † OBJECT MARKER - TYPE 3
W/ TELESCOPING STEEL SIGN SUPPORT



"NO GUARDRAIL"
(OUTSIDE OF CLEAR ZONE)



☐ LOCATION NO. 10

CONTROL POINT	STATION	COORDINATES	
		NORTHING	EASTING
POT	7+48.72	1120781.8902	875614.9123
POT	12+51.91	1121285.0565	875610.0953

LOCATION NO. 10
MINOR COLLECTOR
ADT 50 (2020)
DESIGN SPEED 40 MPH

MODEL: MODELNAMES
FILE NAME: STILES



JOB = 2647.1	DESIGNED - CGF	REVISED -
FILE NAME = \$FILES\$	DRAWN - SJS	REVISED -
PLOT SCALE = \$SCALES\$	CHECKED - THF	REVISED -
PLOT DATE = \$DATES\$	DATE - 11/29/2022	REVISED -

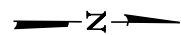
**MOULTRIE COUNTY
GUARDRAIL IMPROVEMENTS**

PLAN - LOCATION 10

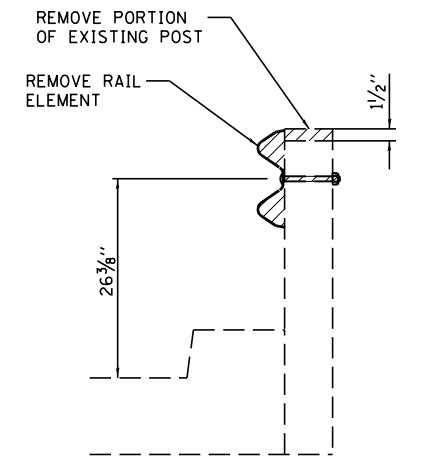
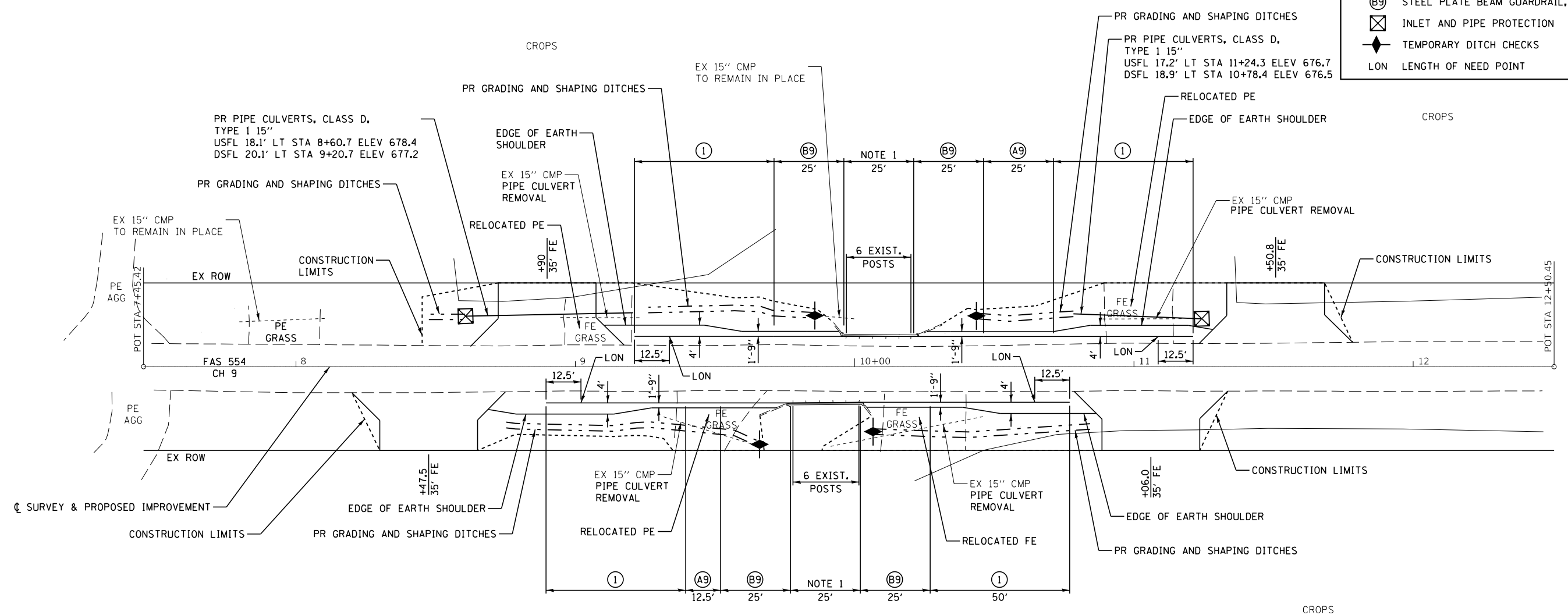
SCALE: SHEET OF SHEETS STA. TO STA.

ROUTE VARIOUS	SECTION	COUNTY	TOTAL SHEETS	SHEET NO.
	21-00081-00-GR	MOULTRIE	20	14
CONTRACT NO. 95939				

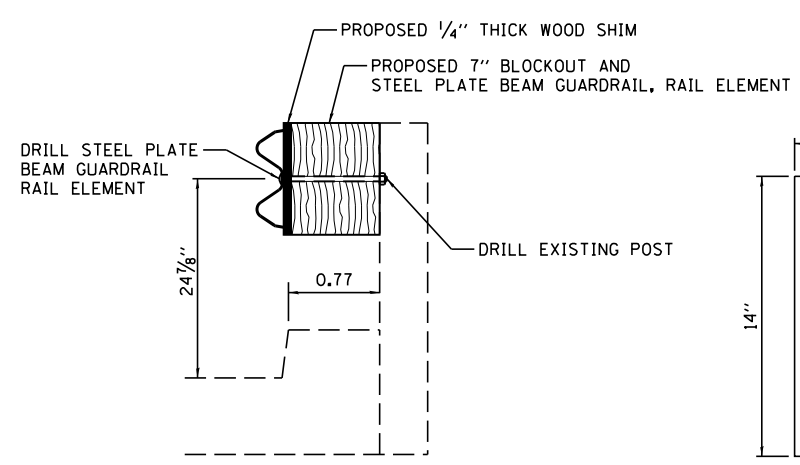
ILLINOIS FED. AID PROJECT



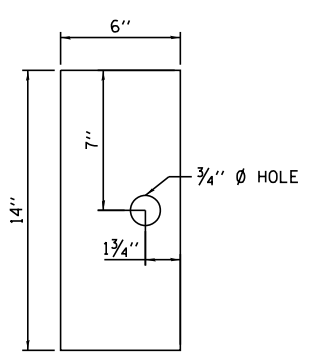
LEGEND	
①	TRAFFIC BARRIER TERMINAL, TYPE 1 (SPECIAL) TANGENT
Ⓐ9	STEEL PLATE BEAM GUARDRAIL, TYPE A, 9 FOOT POSTS
Ⓑ9	STEEL PLATE BEAM GUARDRAIL, TYPE B, 9 FOOT POSTS
⊠	INLET AND PIPE PROTECTION
◆	TEMPORARY DITCH CHECKS
LON	LENGTH OF NEED POINT



GUARDRAIL REMOVAL (SPECIAL)



STEEL PLATE BEAM GUARDRAIL, TYPE A (SPECIAL)



WOOD SHIM

NOTE 1
 EXISTING STEEL PLATE BEAM RAIL ELEMENTS SHALL BE REMOVED AND THE EXISTING POST MODIFIED AS DETAILED. NEW 7\"/>

WOOD SHIMS SHALL MEET THE REQUIREMENTS OF ARTICLE 1007.01, 1007.02, AND 1007.03 OF THE STANDARD SPECIFICATIONS.

CH 9 SHALL BE CLOSED FOR REMOVAL OF EXISTING STEEL PLATE BEAM GUARDRAIL ELEMENTS AND INSTALLING STEEL PLATE BEAM GUARDRAIL, RAIL ELEMENTS ON THE EXISTING POSTS. THE MAXIMUM CLOSURE TIME SHALL BE 3 CALENDAR DAYS.

LOCATION NO. 11			
CONTROL POINT	STATION	COORDINATES	
		NORTHING	EASTING
POT	7+45.42	1111493.3066	875710.6697
POT	12+50.45	1111998.3145	875706.1179

LOCATION NO. 11
 MINOR COLLECTOR
 ADT 50 (2020)
 DESIGN SPEED 40 MPH

MODEL: S:\MODELS\MAMES FILE NAME: STILES



JOB = 2647.1
 FILE NAME = SFILES\$
 PLOT SCALE = \$SCALES
 PLOT DATE = \$DATES

DESIGNED - CGF
 DRAWN - SJS
 CHECKED - THF
 DATE - 11/29/2022

REVISED -
 REVISED -
 REVISED -
 REVISED -

**MOULTRIE COUNTY
 GUARDRAIL IMPROVEMENTS**

PLAN - LOCATION 11

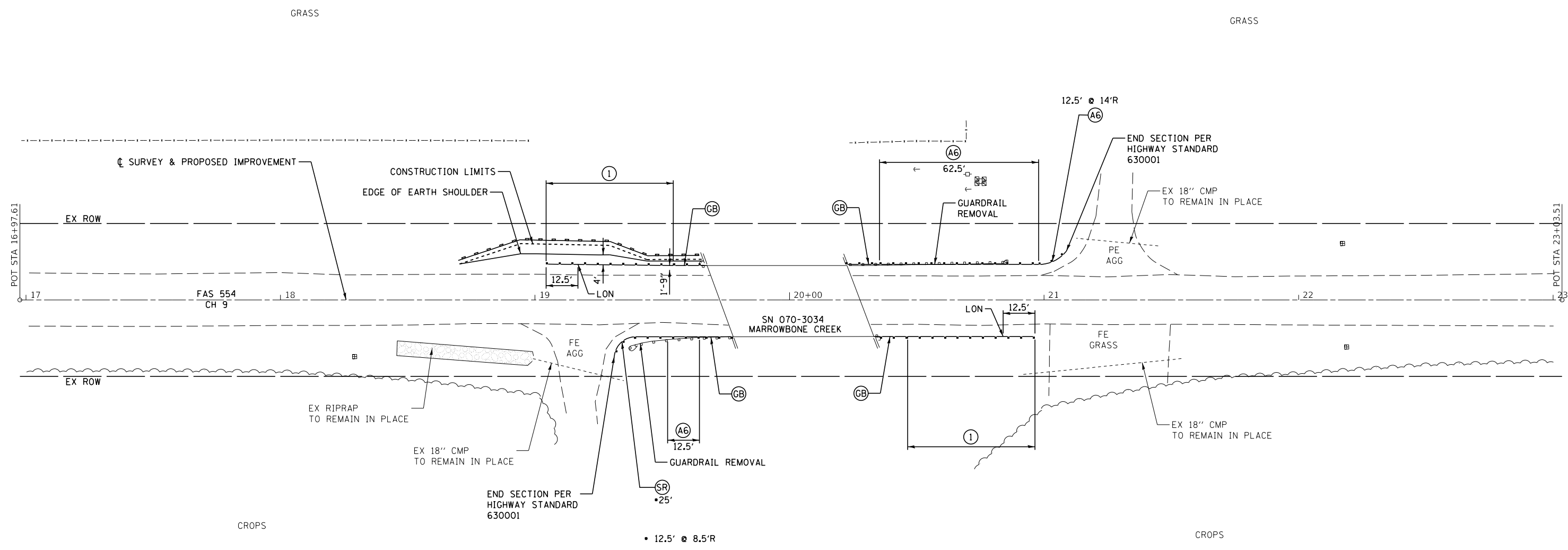
SCALE: SHEET OF SHEETS STA. TO STA.

ROUTE VARIOUS	SECTION	COUNTY	TOTAL SHEETS	SHEET NO.
	21-00081-00-GR	MOULTRIE	20	15
CONTRACT NO. 95939				

ILLINOIS FED. AID PROJECT



LEGEND	
(1)	TRAFFIC BARRIER TERMINAL, TYPE 1 (SPECIAL) TANGENT
(GB)	GUARDRAIL BLOCKS
(A6)	STEEL PLATE BEAM GUARDRAIL, TYPE A, 6 FOOT POSTS
(SR)	STEEL PLATE BEAM GUARDRAIL (SHORT RADIUS)
LON	LENGTH OF NEED POINT
---	PERIMETER EROSION BARRIER



LOCATION NO. 12

CONTROL POINT	STATION	COORDINATES	
		NORTHING	EASTING
POT	16+97.61	1109093.8394	857223.6535
POT	23+03.51	1109076.4387	857829.3054

LOCATION NO. 12
MINOR COLLECTOR
ADT 125 (2020)
DESIGN SPEED 40 MPH

MODEL: \\MODEL\FILES
FILE NAME: ST1215






JOB = 2647.1	DESIGNED - CGF	REVISED -
FILE NAME = \$FILES\$	DRAWN - SJS	REVISED -
PLOT SCALE = \$SCALES\$	CHECKED - THF	REVISED -
PLOT DATE = \$DATES\$	DATE - 11/29/2022	REVISED -

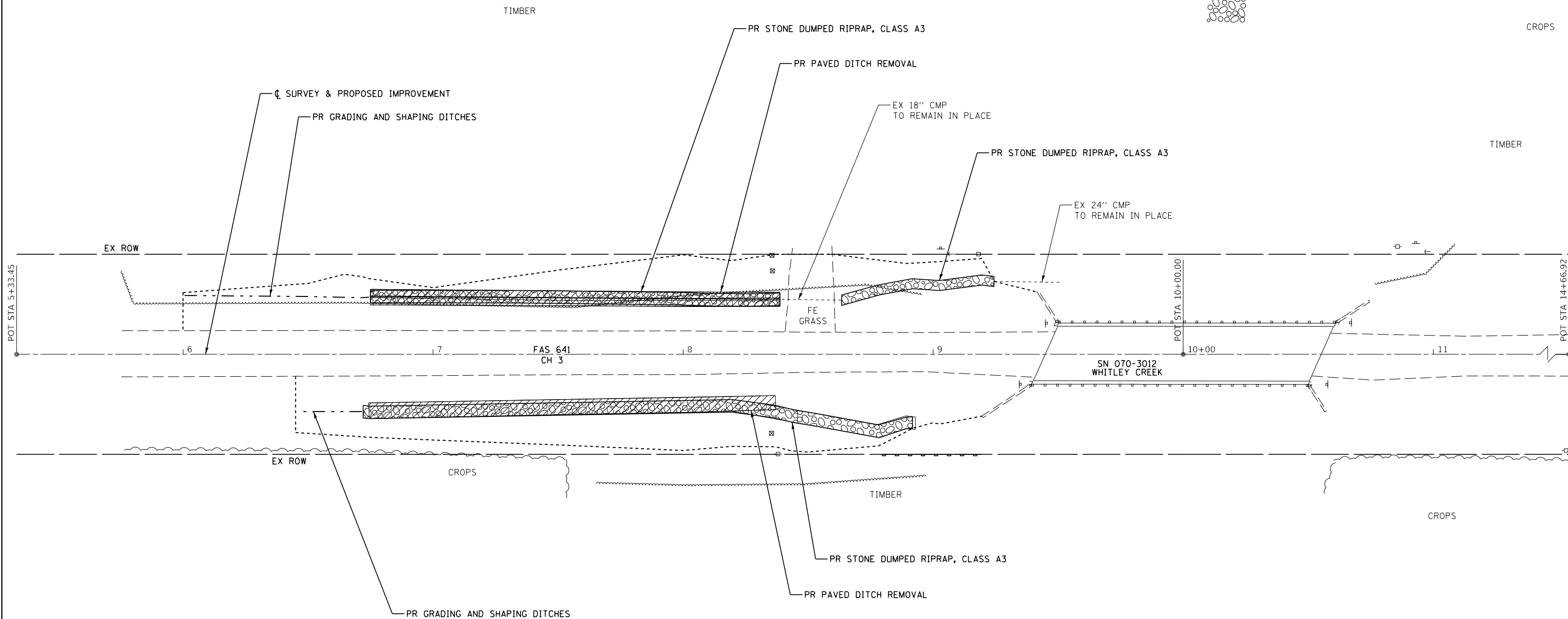
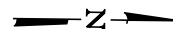
**MOULTRIE COUNTY
GUARDRAIL IMPROVEMENTS**

PLAN - LOCATION 12

SCALE: SHEET OF SHEETS STA. TO STA.

ROUTE VARIOUS	SECTION	COUNTY	TOTAL SHEETS	SHEET NO.
	21-00081-00-GR	MOULTRIE	20	16
CONTRACT NO. 95939			ILLINOIS FED. AID PROJECT	

-  INLET AND PIPE PROTECTION
-  PR PAVED DITCH REMOVAL
-  PR STONE DUMPED RIPRAP, CLASS A3



☐ LOCATION NO. 13

CONTROL POINT	STATION	COORDINATES	
		NORTHING	EASTING
POT	5+33.45	1033773.7865	929523.5531
POT	10+00.00	1034240.2921	929517.2281
POT	14+66.92	1034707.1740	929510.8979

LOCATION NO. 13
MINOR COLLECTOR
ADT 150 (2020)
DESIGN SPEED 40 MPH

MODEL & MODEL NAMES
FILE NAME: \$FILES

CEC Cummins
Engineering
Corporation
Civil and Structural Engineering

JOB = 2647.1
FILE NAME = \$FILES\$
PLOT SCALE = \$SCALES\$
PLOT DATE = \$DATES\$

DESIGNED - CGF
DRAWN - SJS
CHECKED - THF
DATE - 11/29/2022

REVISED -
REVISED -
REVISED -
REVISED -

**MOULTRIE COUNTY
GUARDRAIL IMPROVEMENTS**

PLAN - LOCATION 13

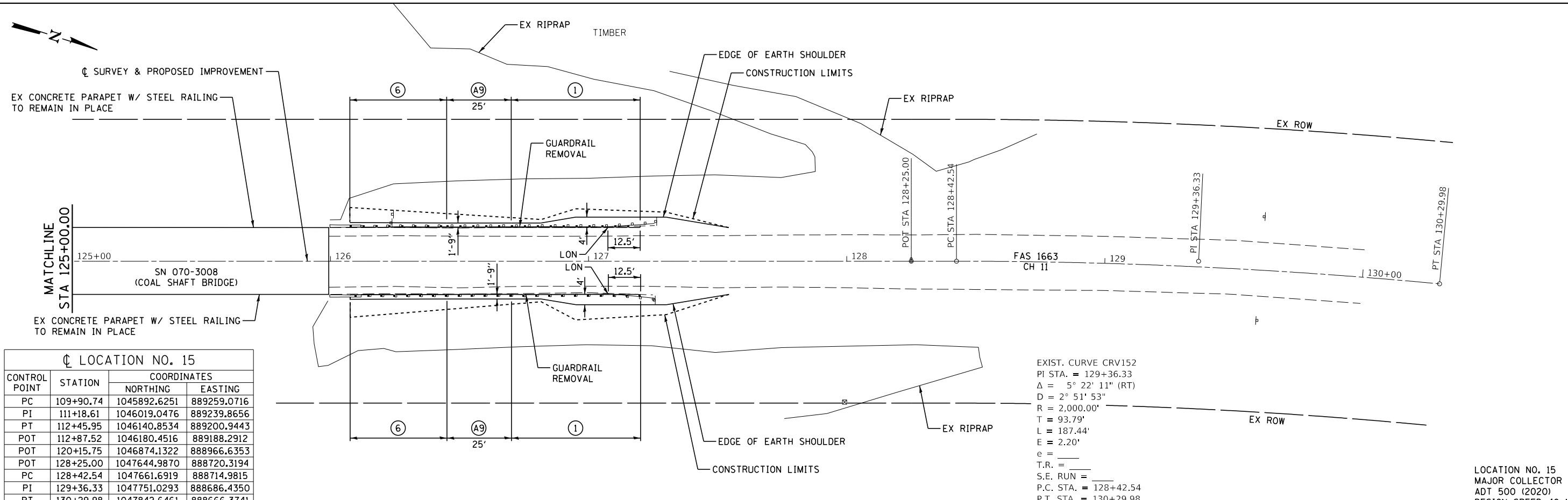
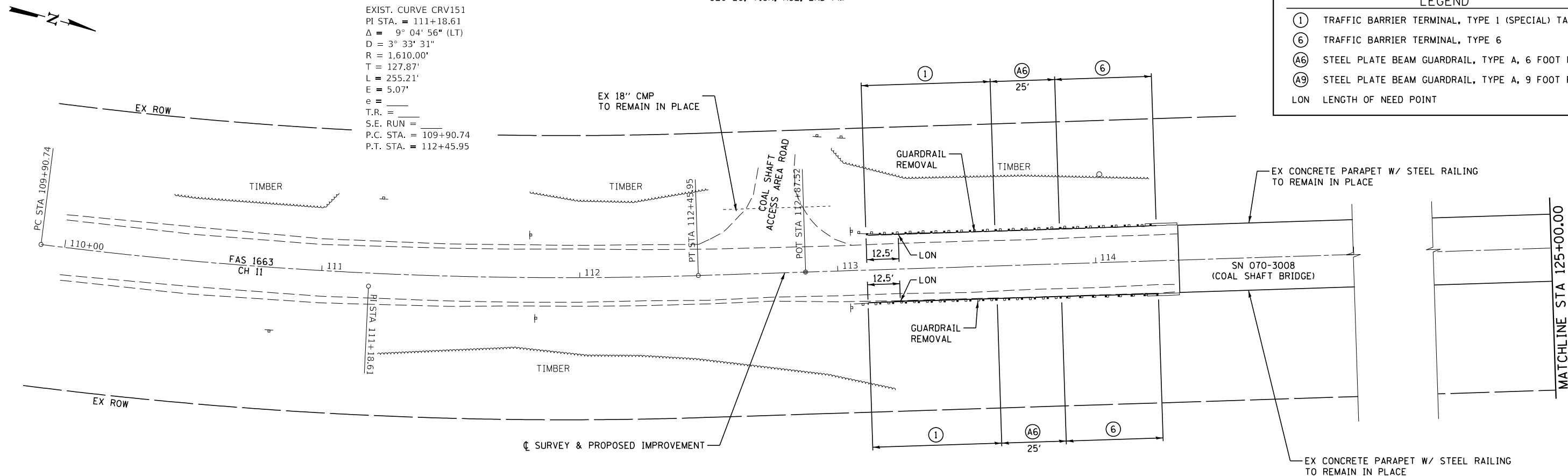
SCALE: SHEET OF SHEETS STA. TO STA.

ROUTE VARIOUS	SECTION	COUNTY	TOTAL SHEETS	SHEET NO.
	21-00081-00-GR	MOULTRIE	20	17
CONTRACT NO. 95939				
ILLINOIS FED. AID PROJECT				

LEGEND

- ① TRAFFIC BARRIER TERMINAL, TYPE 1 (SPECIAL) TANGENT
- ⑥ TRAFFIC BARRIER TERMINAL, TYPE 6
- A6 STEEL PLATE BEAM GUARDRAIL, TYPE A, 6 FOOT POSTS
- A9 STEEL PLATE BEAM GUARDRAIL, TYPE A, 9 FOOT POSTS
- LON LENGTH OF NEED POINT

EXIST. CURVE CRV151
 PI STA. = 111+18.61
 $\Delta = 9^\circ 04' 56''$ (LT)
 $D = 3^\circ 33' 31''$
 $R = 1,610.00'$
 $T = 127.87'$
 $L = 255.21'$
 $E = 5.07'$
 $e =$
 T.R. =
 S.E. RUN =
 P.C. STA. = 109+90.74
 P.T. STA. = 112+45.95



LOCATION NO. 15

CONTROL POINT	STATION	COORDINATES	
		NORTHING	EASTING
PC	109+90.74	1045892.6251	889259.0716
PI	111+18.61	1046019.0476	889239.8656
PT	112+45.95	1046140.8534	889200.9443
POT	112+87.52	1046180.4516	889188.2912
POT	120+15.75	1046874.1322	888966.6353
POT	128+25.00	1047644.9870	888720.3194
PC	128+42.54	1047661.6919	888714.9815
PI	129+36.33	1047751.0293	888686.4350
PT	130+29.98	1047842.6461	888666.3741

EXIST. CURVE CRV152
 PI STA. = 129+36.33
 $\Delta = 5^\circ 22' 11''$ (RT)
 $D = 2^\circ 51' 53''$
 $R = 2,000.00'$
 $T = 93.79'$
 $L = 187.44'$
 $E = 2.20'$
 $e =$
 T.R. =
 S.E. RUN =
 P.C. STA. = 128+42.54
 P.T. STA. = 130+29.98

LOCATION NO. 15
 MAJOR COLLECTOR
 ADT 500 (2020)
 DESIGN SPEED 40 MPH

MOULTRIE COUNTY
 GUARDRAIL IMPROVEMENTS

PLAN - LOCATION 15



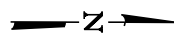
JOB = 2647.1
 FILE NAME = SFILES\$
 PLOT SCALE = \$SCALES
 PLOT DATE = \$DATES

DESIGNED - CGF	REVISED -
DRAWN - SJS	REVISED -
CHECKED - THF	REVISED -
DATE - 11/29/2022	REVISED -

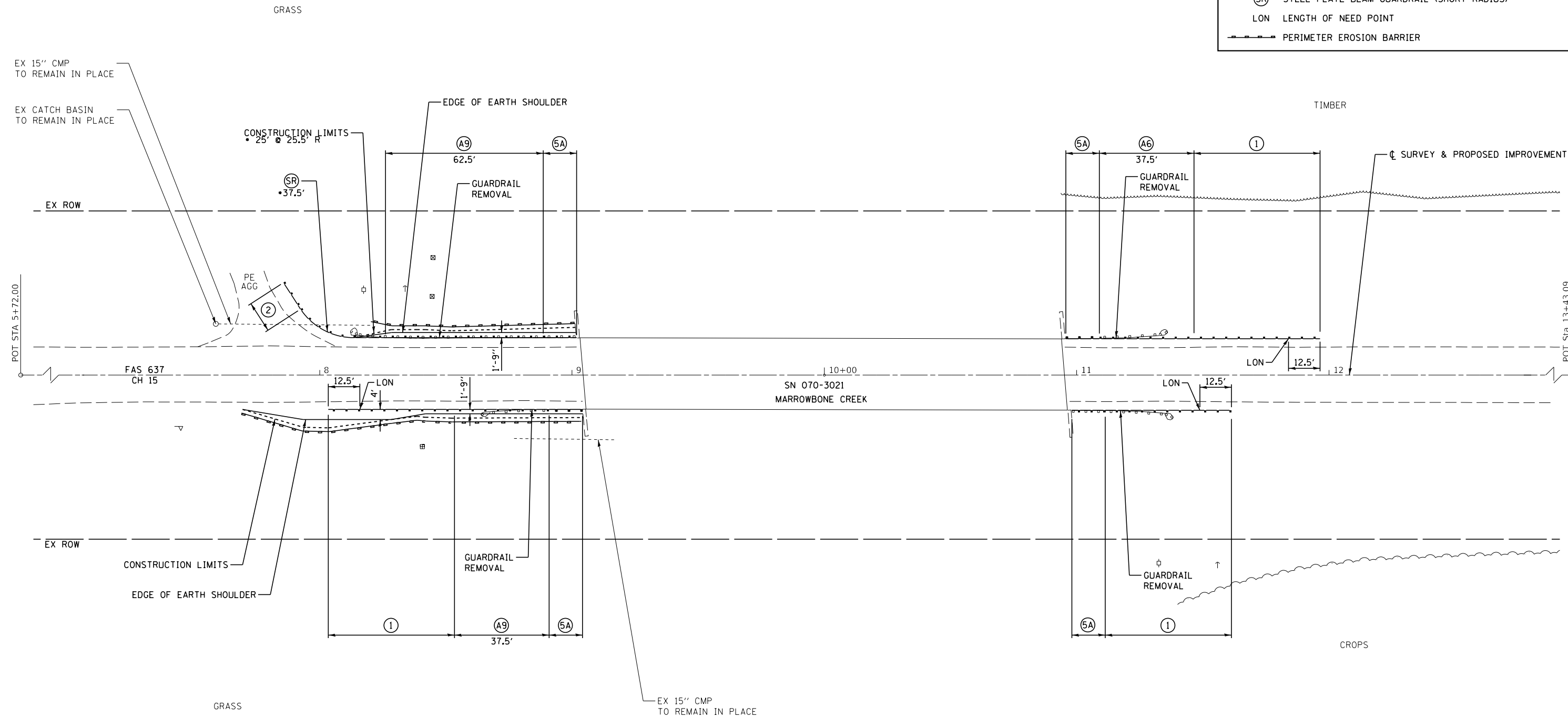
SCALE:	SHEET	OF	SHEETS	STA.	TO	STA.
--------	-------	----	--------	------	----	------

ROUTE VARIOUS	SECTION	COUNTY	TOTAL SHEETS	SHEET NO.
	21-00081-00-GR	MOULTRIE	20	18
CONTRACT NO. 95939				
ILLINOIS FED. AID PROJECT				

MODEL: S:\MODELS\MAMES FILE NAME: SFILES



LEGEND	
①	TRAFFIC BARRIER TERMINAL, TYPE 1 (SPECIAL) TANGENT
②	TRAFFIC BARRIER TERMINAL, TYPE 2
⑤A	TRAFFIC BARRIER TERMINAL, TYPE 5A
Ⓐ6	STEEL PLATE BEAM GUARDRAIL, TYPE A, 6 FOOT POSTS
Ⓐ9	STEEL PLATE BEAM GUARDRAIL, TYPE A, 9 FOOT POSTS
ⓈR	STEEL PLATE BEAM GUARDRAIL (SHORT RADIUS)
LON	LENGTH OF NEED POINT
---	PERIMETER EROSION BARRIER



CL LOCATION NO. 22			
CONTROL POINT	STATION	COORDINATES	
		NORTHING	EASTING
POT	5+72.00	1080917.4374	869348.0626
POT	13+43.09	1081688.5301	869345.5002

LOCATION NO. 22
 MAJOR COLLECTOR
 ADT 900 (2020)
 DESIGN SPEED 50 MPH

MODEL: MODELNAMES
FILE NAME: STYLES



JOB = 2647.1
 FILE NAME = \$FILES\$
 PLOT SCALE = \$SCALES\$
 PLOT DATE = \$DATES\$

DESIGNED - CGF
 DRAWN - SJS
 CHECKED - THF
 DATE - 11/29/2022

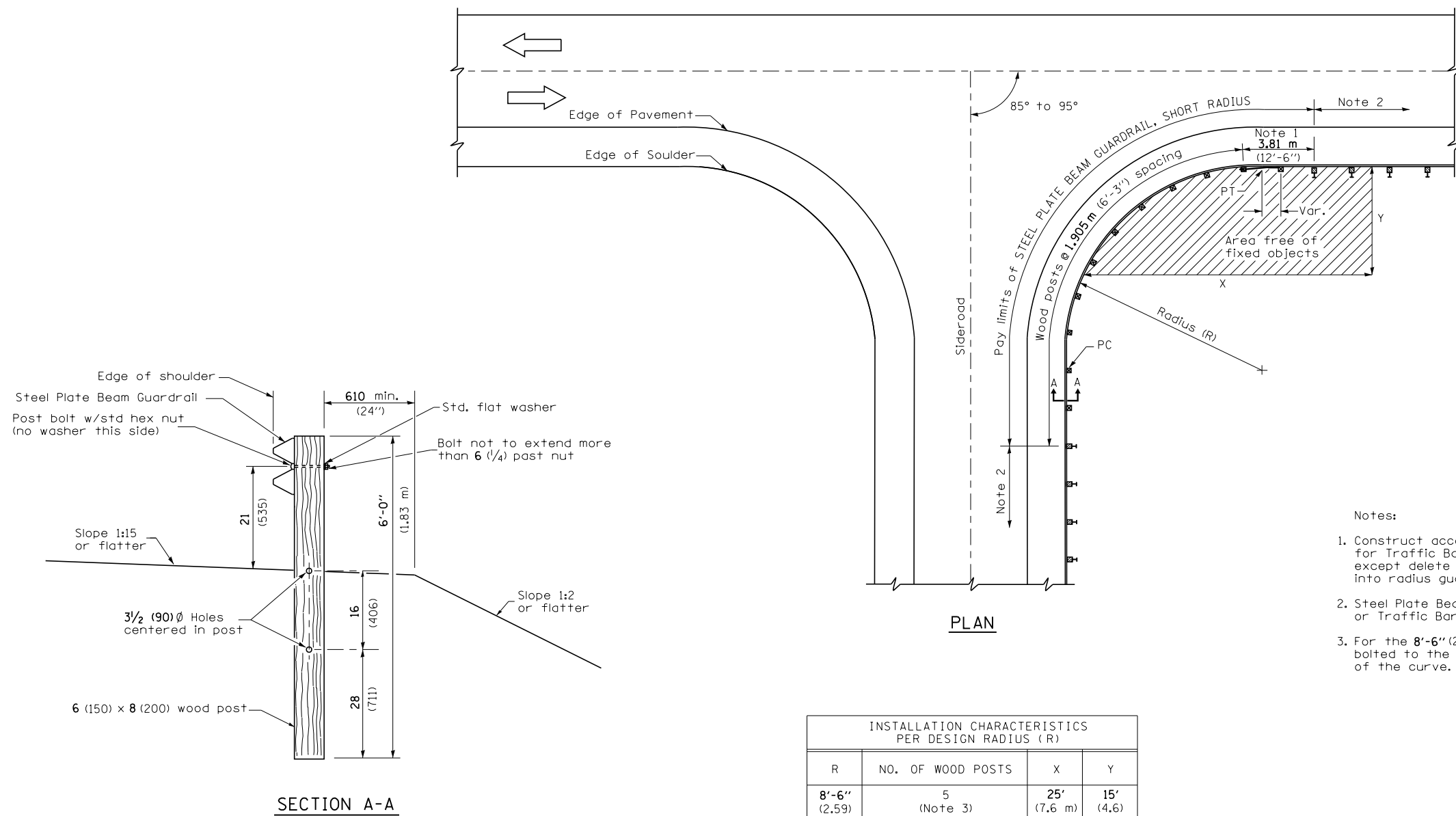
REVISED -
 REVISED -
 REVISED -
 REVISED -

**MOULTRIE COUNTY
 GUARDRAIL IMPROVEMENTS**

PLAN - LOCATION 22

SCALE: SHEET OF SHEETS STA. TO STA.

ROUTE VARIOUS	SECTION	COUNTY	TOTAL SHEETS	SHEET NO.
	21-00081-00-GR	MOULTRIE	20	19
CONTRACT NO. 95939				
ILLINOIS FED. AID PROJECT				



- Notes:
1. Construct according to Standard 631011 for Traffic Barrier Terminal Type 2, except delete end section and splice into radius guardrail.
 2. Steel Plate Beam Guardrail Type A, Type B, or Traffic Barrier Terminal as specified.
 3. For the 8'-6" (2.59 m) radius, the rail is not bolted to the post located at the midpoint of the curve.

INSTALLATION CHARACTERISTICS PER DESIGN RADIUS (R)			
R	NO. OF WOOD POSTS	X	Y
8'-6" (2.59)	5 (Note 3)	25' (7.6 m)	15' (4.6)
17'-0" (5.18)	6	30' (9.1 m)	15' (4.6)
25'-6" (7.77)	8	40' (12.2 m)	20' (6.1)
35'-0" (10.67)	11	50' (15.2 m)	20' (6.1)

GENERAL NOTES

All slope ratios are expressed as units of vertical displacement to units of horizontal displacement (V:H).
 All dimensions are in inches (millimeters) unless otherwise shown.

MODEL: 340DELMAMES
 FILE NAME: 37123



JOB = 2647.1	DESIGNED - CGF	REVISED -
FILE NAME = \$FILES\$	DRAWN - SJS	REVISED -
PLOT SCALE = \$SCALES\$	CHECKED - THF	REVISED -
PLOT DATE = \$DATES\$	DATE - 11/29/2022	REVISED -

MOULTRIE COUNTY
 GUARDRAIL IMPROVEMENTS

STEEL PLATE BEAM GUARDRAIL
 (SHORT RADIUS)

SCALE: SHEET OF SHEETS STA. TO STA.

ROUTE VARIOUS	SECTION	COUNTY	TOTAL SHEETS	SHEET NO.
	21-00081-00-GR	MOULTRIE	20	20
CONTRACT NO. 95939				
ILLINOIS FED. AID PROJECT				