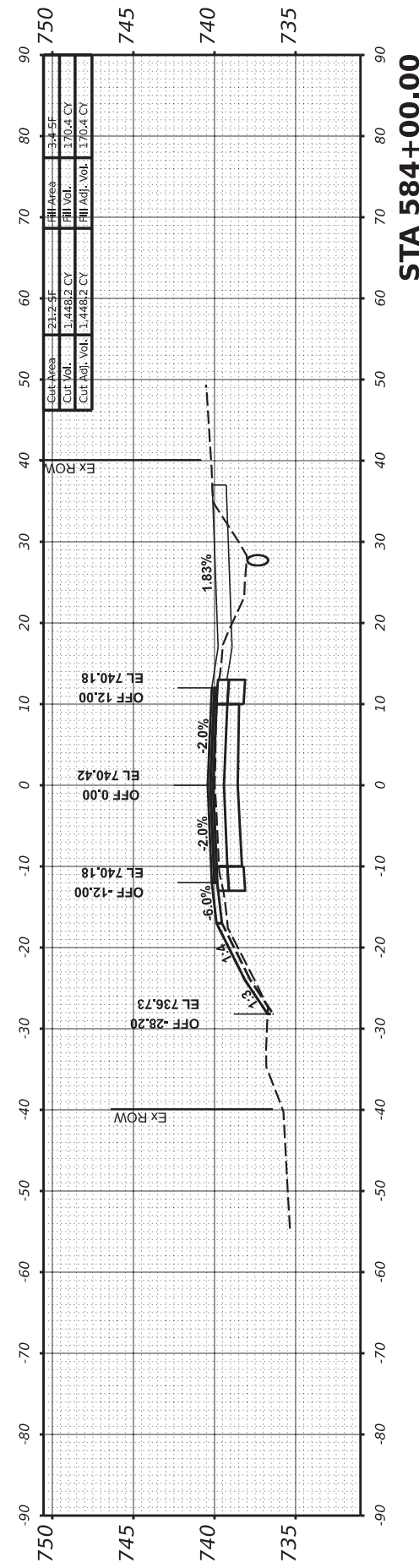
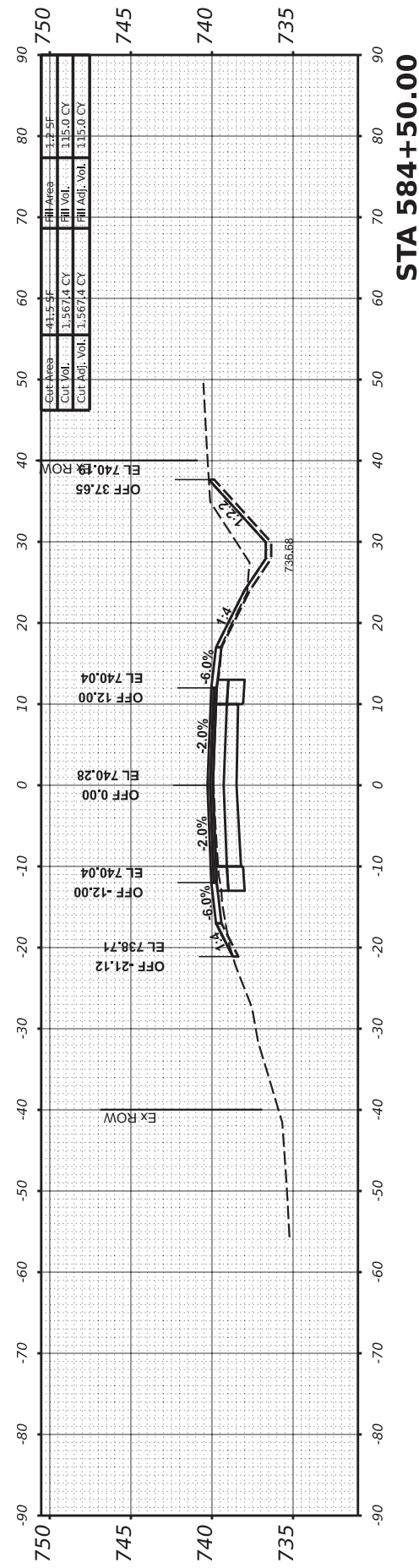
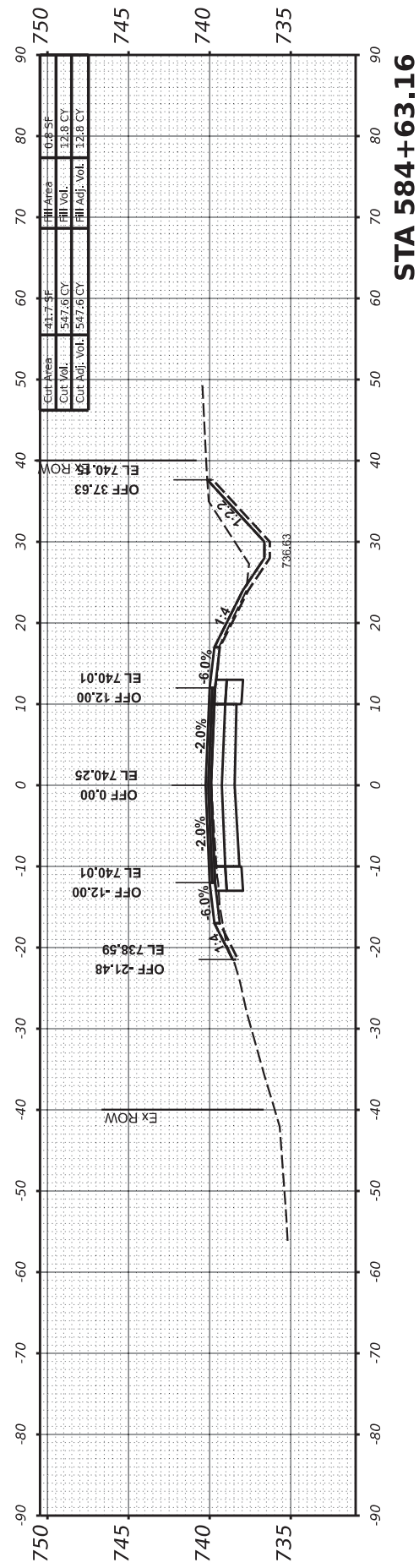
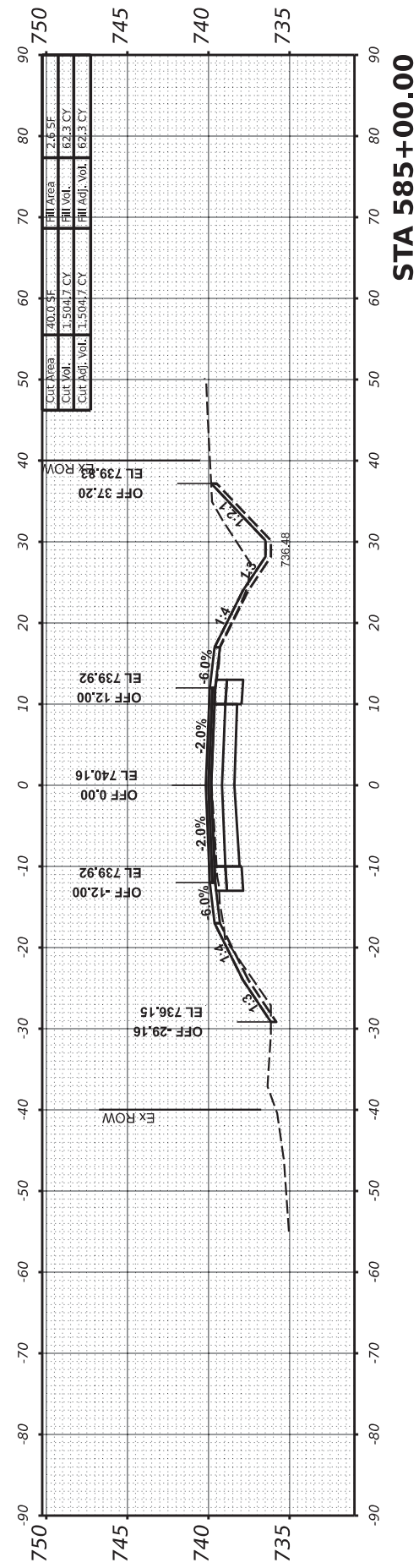
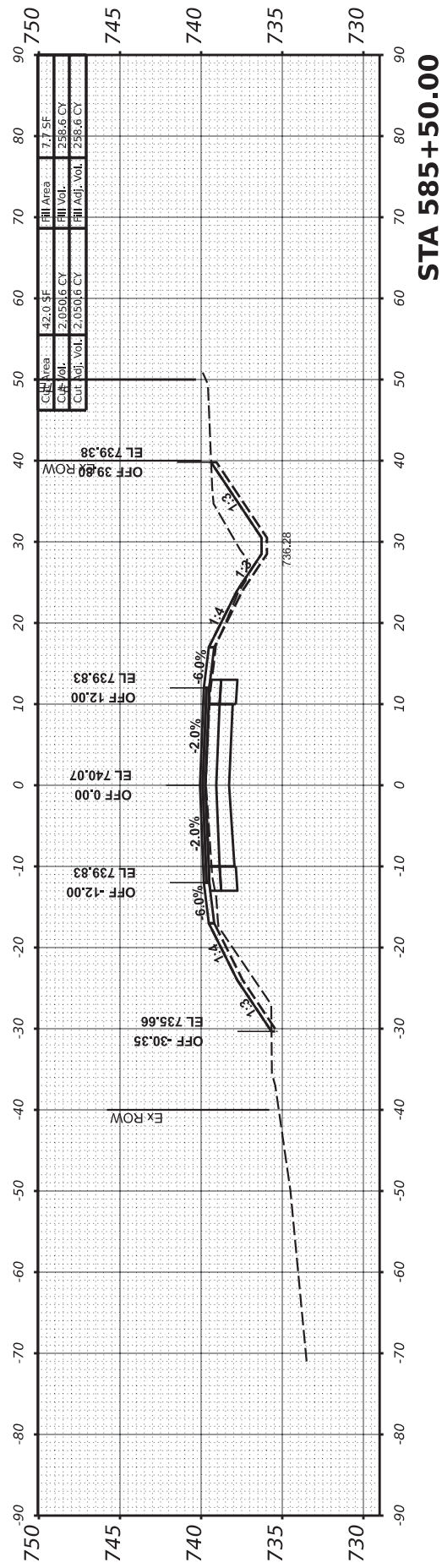


FINAL SURVEY NO.	SURVEYED BY	DATE
NOTE BOOK	PLOTTED TEMPLATE	
AREAS CHECKED	AREAS CHECKED	

ORIGINAL SURVEY NO.	SURVEYED BY	DATE
NOTE BOOK	PLOTTED TEMPLATE	
AREAS CHECKED	AREAS CHECKED	

MODEL: PCL3 - 984+00.00 (Sheet)
 FILE NAME: R:\P\County\7997 Carroll County - Ideal Road Reconstruction\CADD\CADD_Civil\Sheets\7997-SHT_2\SheetIdeal-3-06.dgn



USER NAME = dwozniarski	DESIGNED -
DRAWN -	REVISOR -
PLOT SCALE = 0.16666633''/in.	CHECKED -
PLOT DATE = 6/14/2024	DATE = 04/17/2024

REVISOR -
REVISOR -
REVISOR -
REVISOR -

**STATE OF ILLINOIS
 DEPARTMENT OF TRANSPORTATION**

SCALE: 1" = 10' H
 1" = 5' V

**IDEAL ROAD RECONSTRUCTION
 CROSS SECTIONS - IDEAL ROAD**

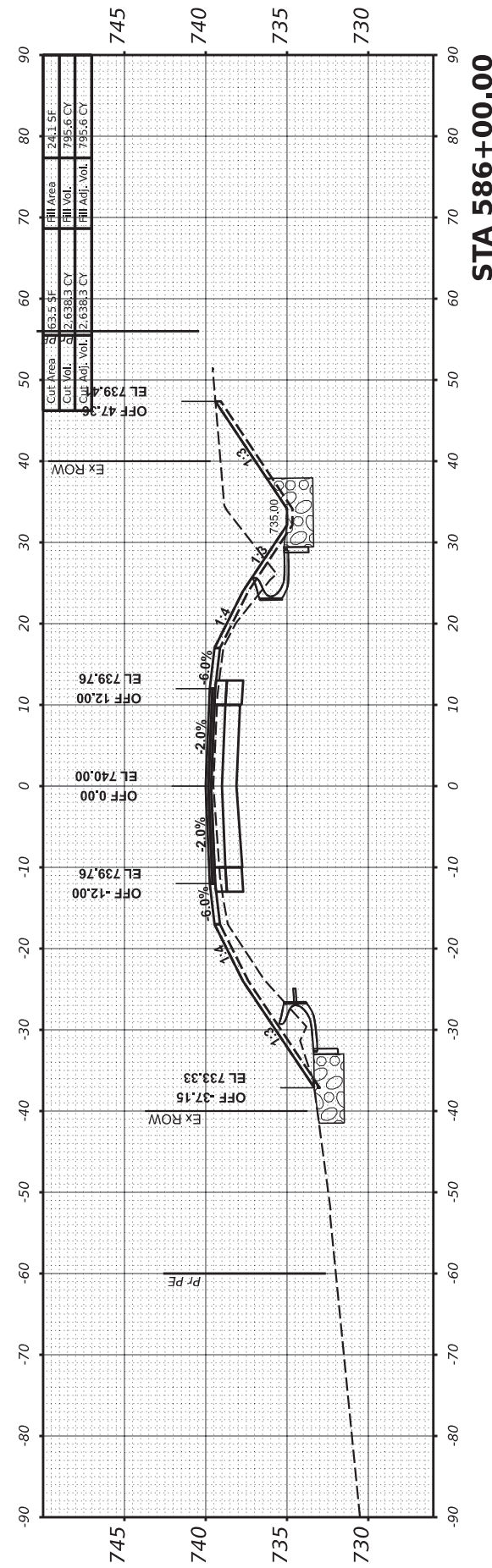
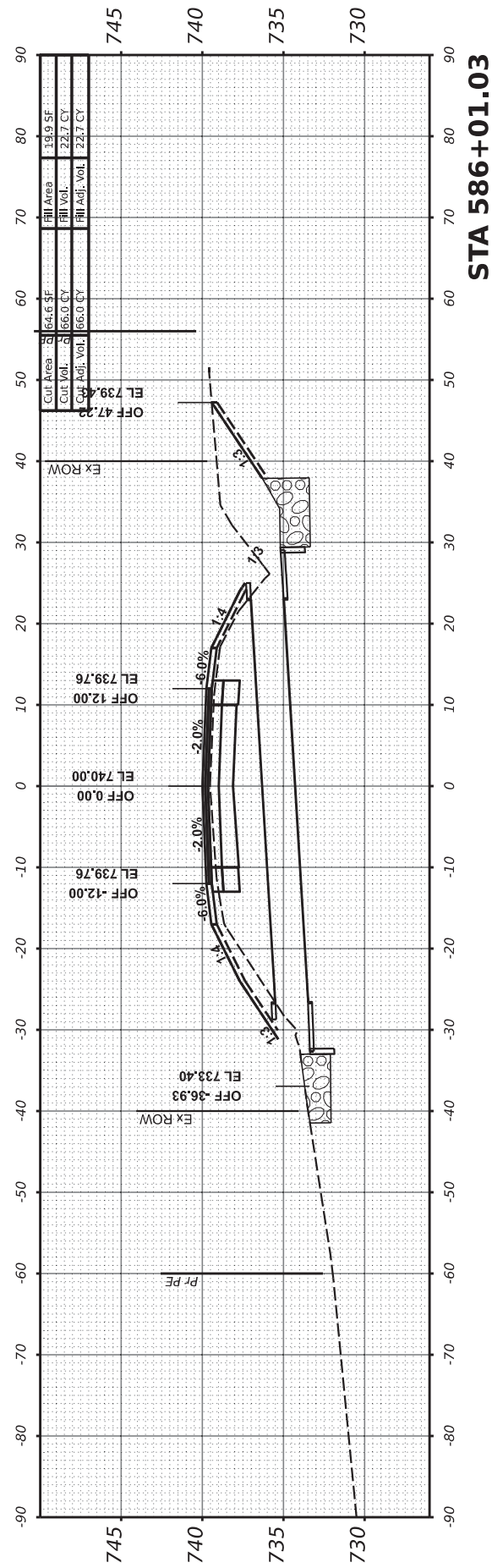
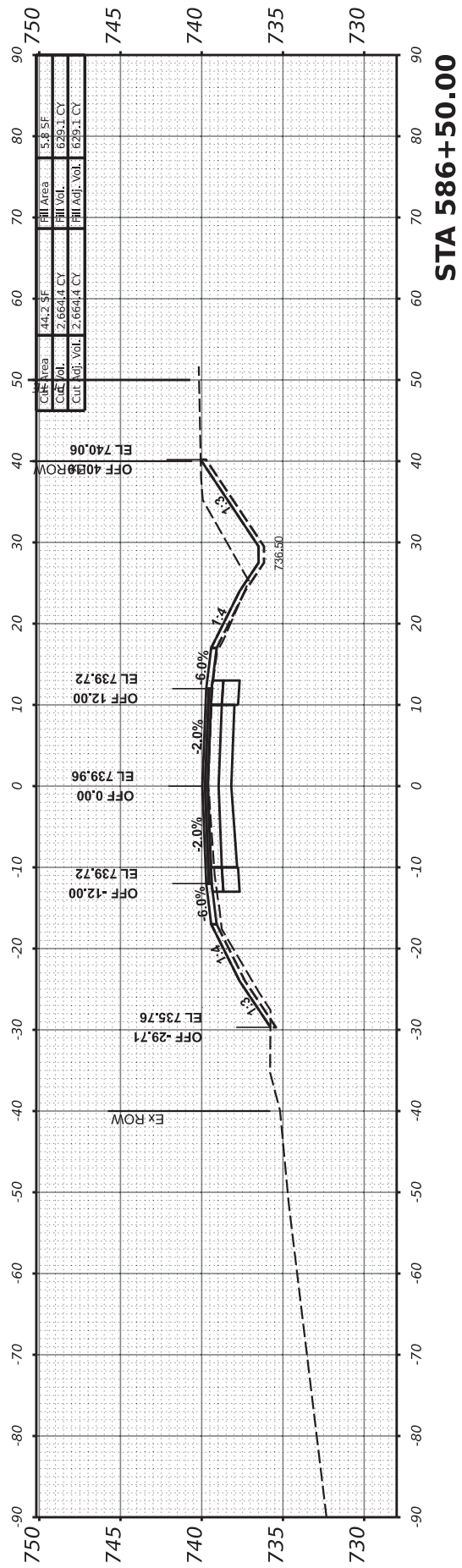
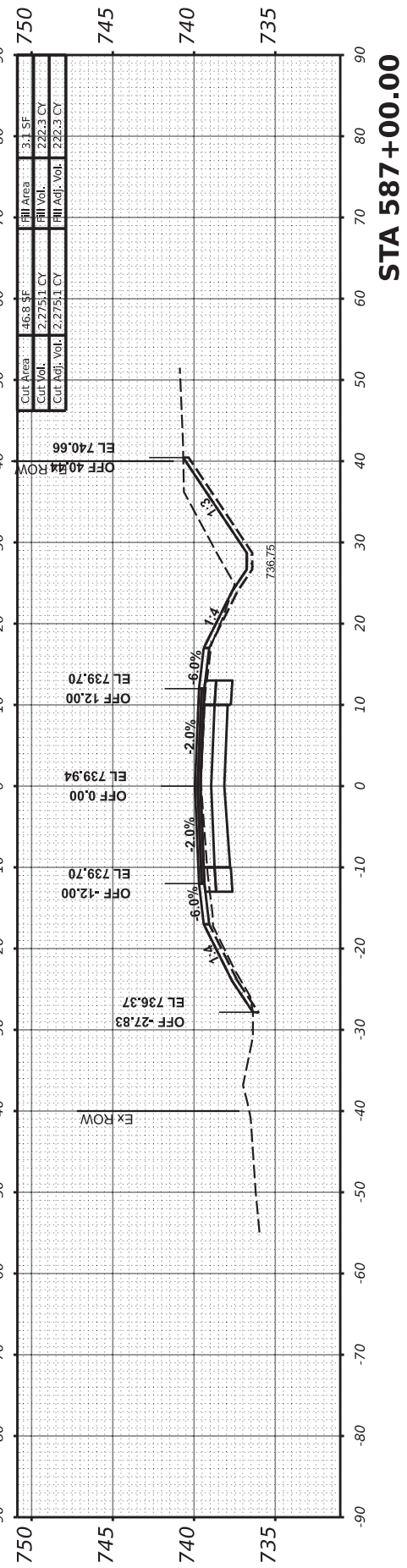
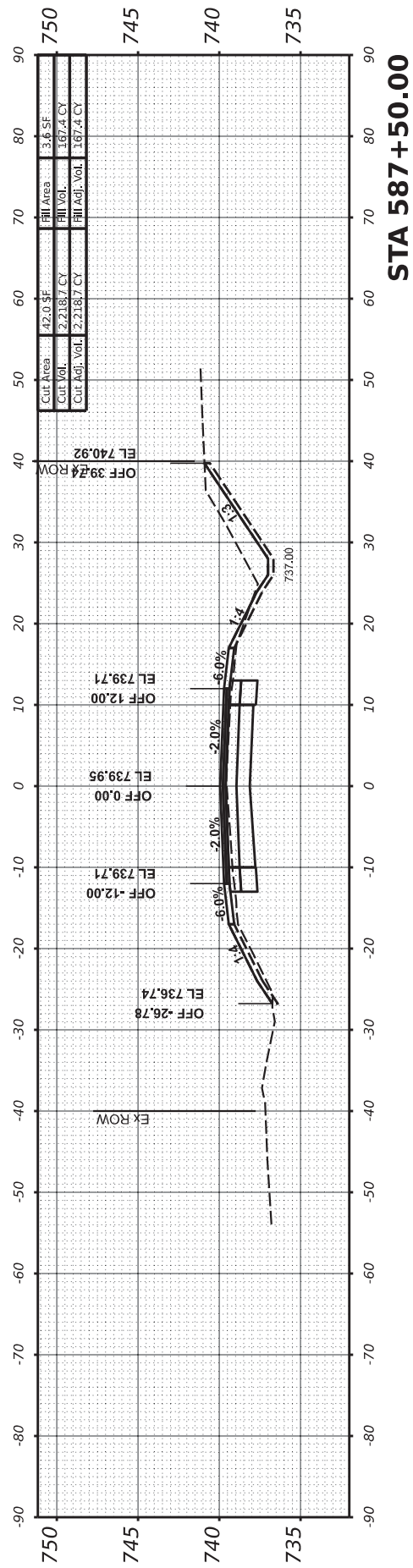
SHEET OF 125 SHEETS STA.

F.A.S. RTE. 1084	SECTION 20-00102-00-PV	COUNTY CARROLL	TOTAL SHEETS 217	SHEET NO. 201
CONTRACT NO. 85761				
ILLINOIS		FED. AID PROJECT		

FINAL SURVEY	SURVEYED	BY	DATE
NOTE BOOK	PLOTTED		
NO.	TEMPLATE		
	AREAS CHECKED		
	AREAS CHECKED		

ORIGINAL SURVEY	SURVEYED	BY	DATE
NOTE BOOK	PLOTTED		
NO.	TEMPLATE		
	AREAS CHECKED		
	AREAS CHECKED		

MODEL: PCL3 - 986+00.00 (1Sheet)
 FILE NAME: R391_County7997_Carroll County - Ideal Road Reconstruction\CADD\CADD_Civil\Sheets\7997-SHT_25sect-ideal-r3-96.dgn



USER NAME = dwozniarski	DESIGNED -	REVISED -
PLOT SCALE = 0.16666633' / in.	DRAWN -	REVISED -
PLOT DATE = 6/14/2024	CHECKED -	REVISED -
	DATE = 04/17/2024	REVISED -

**STATE OF ILLINOIS
 DEPARTMENT OF TRANSPORTATION**

**IDEAL ROAD RECONSTRUCTION
 CROSS SECTIONS - IDEAL ROAD**

SCALE: 1" = 10' H
 1" = 5' V

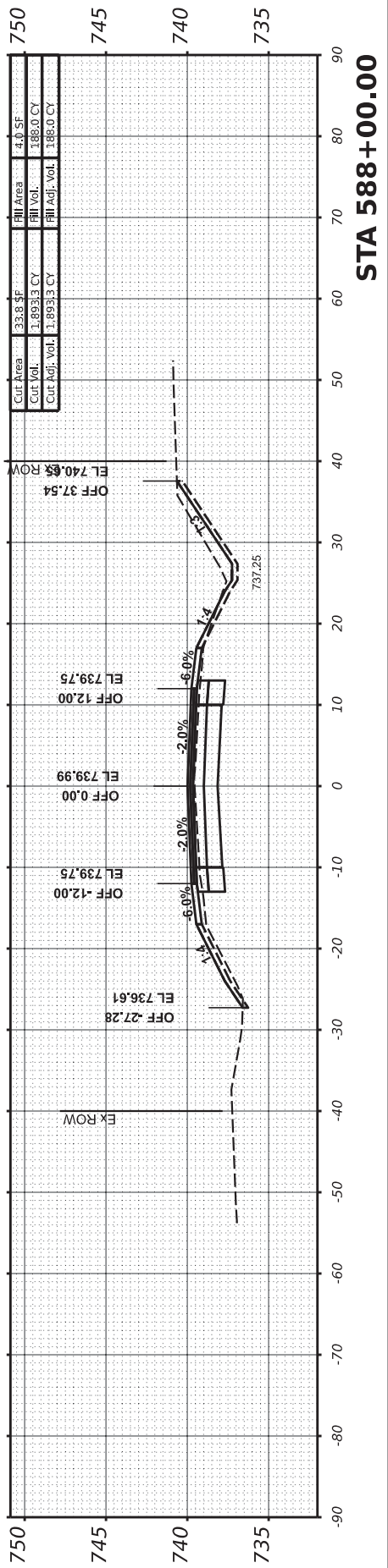
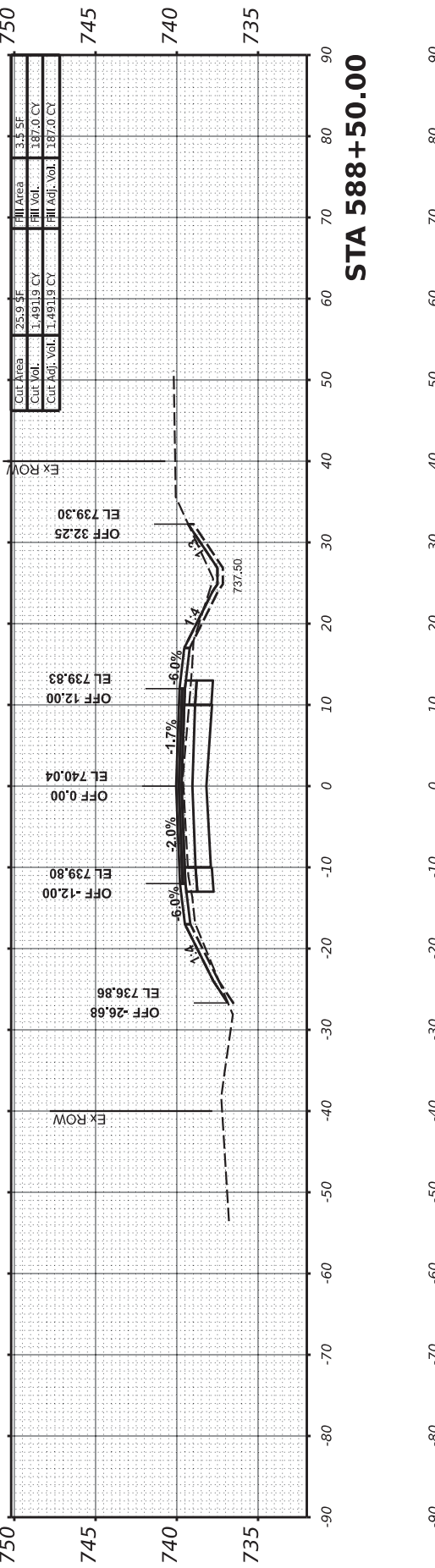
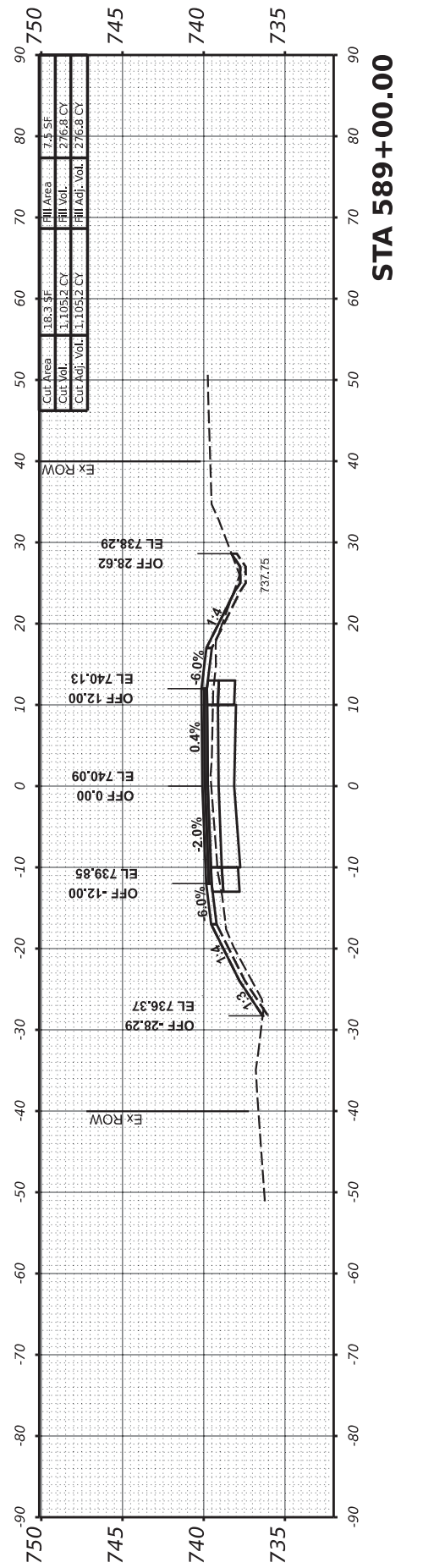
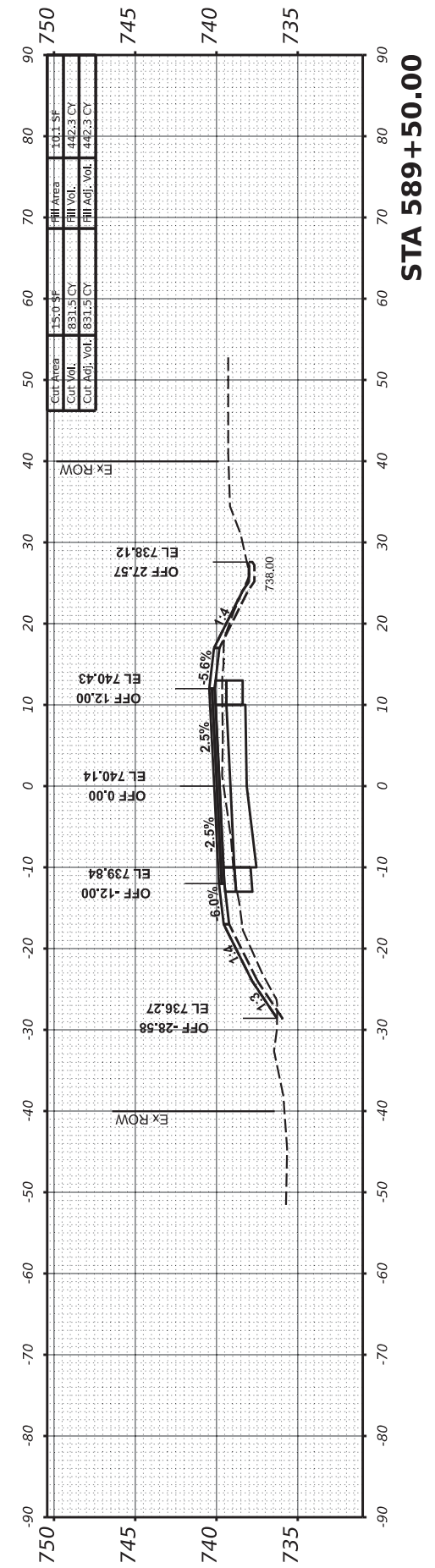
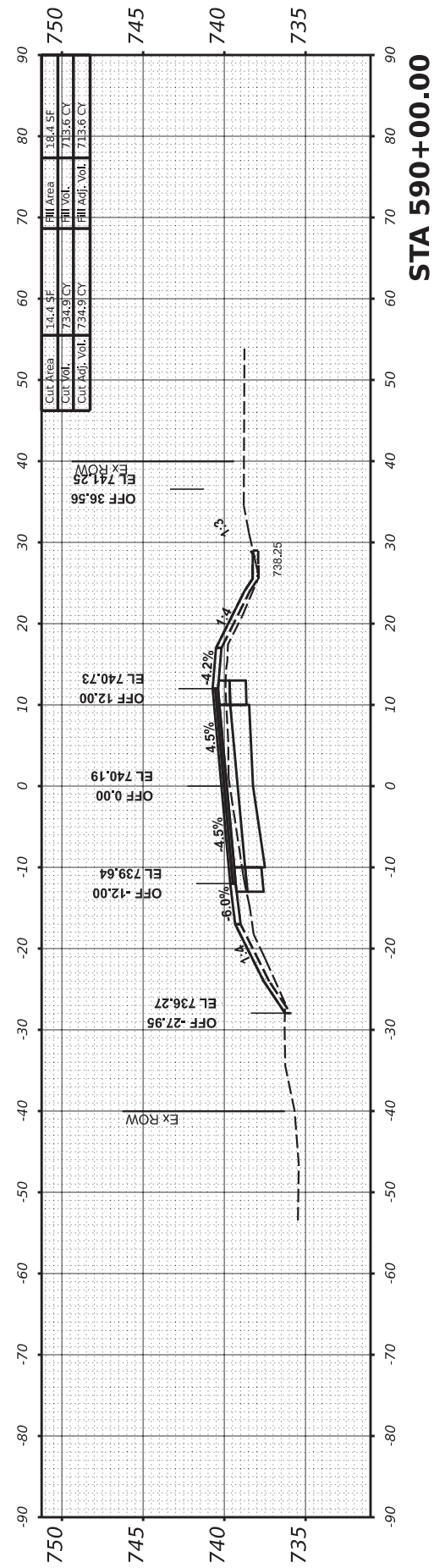
SHEET OF 125 SHEETS STA.

F.A.S. RTE.	SECTION	COUNTY	TOTAL SHEETS	SHEET NO.
1084	20-00102-00-PV	CARROLL	217	202
CONTRACT NO. 85761				
ILLINOIS		FED. AID PROJECT		

FINAL SURVEY	SURVEYED	BY	DATE
NOTE BOOK	PLOTTED		
NO.	TEMPLATE		
	AREAS CHECKED		
	AREAS CHECKED		

ORIGINAL SURVEY	SURVEYED	BY	DATE
NOTE BOOK	PLOTTED		
NO.	TEMPLATE		
	AREAS CHECKED		
	AREAS CHECKED		

MODEL: PCL-3 - 988+00.00 (Sheet)
 FILE NAME: R:\P\County\7997 Carroll County - Ideal Road Reconstruction\CADD\CADD_Civil\Sheets\7997-SHT_25sect-ideal-r3-26.dgn



USER NAME = dwozniarski	DESIGNED -	REVISED -
	DRAWN -	REVISED -
PLOT SCALE = 0.16666633''/in.	CHECKED -	REVISED -
PLOT DATE = 6/14/2024	DATE - 04/17/2024	REVISED -

**STATE OF ILLINOIS
 DEPARTMENT OF TRANSPORTATION**

**IDEAL ROAD RECONSTRUCTION
 CROSS SECTIONS - IDEAL ROAD**

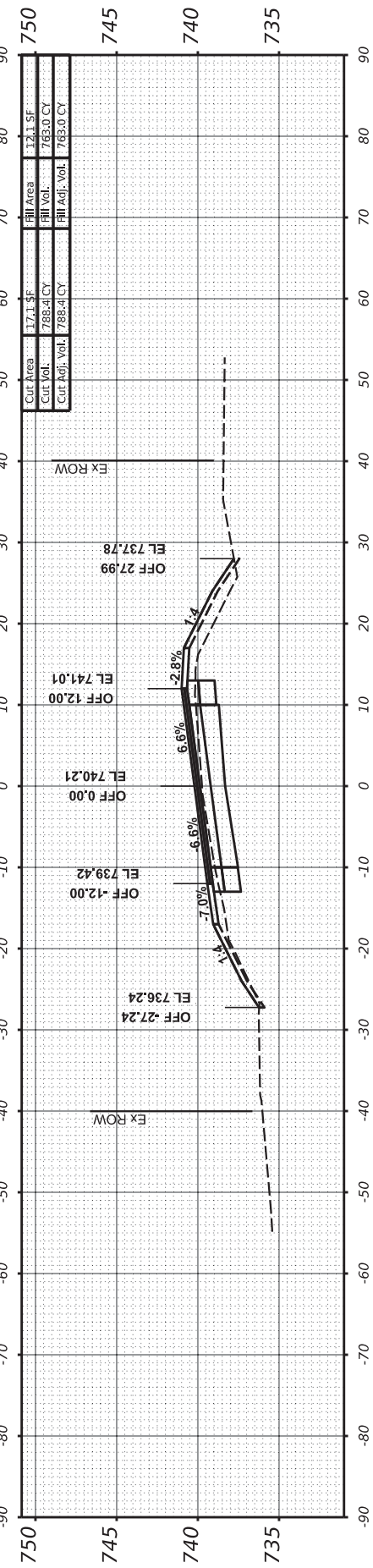
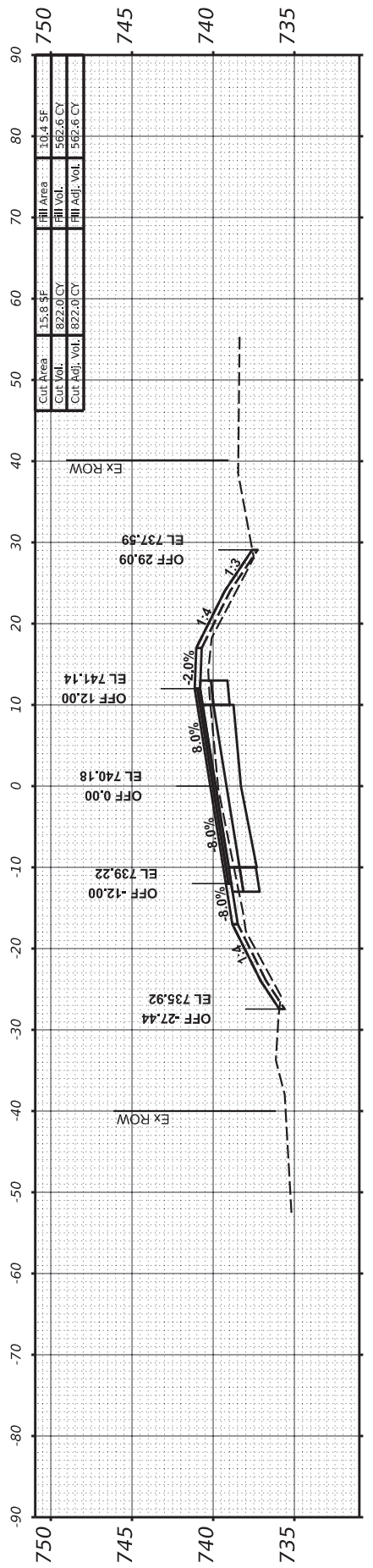
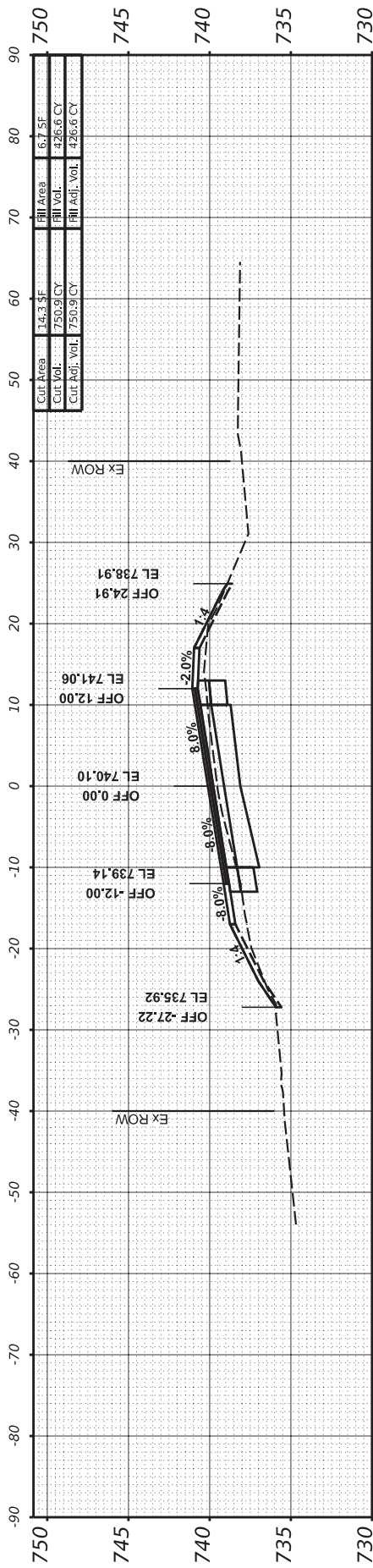
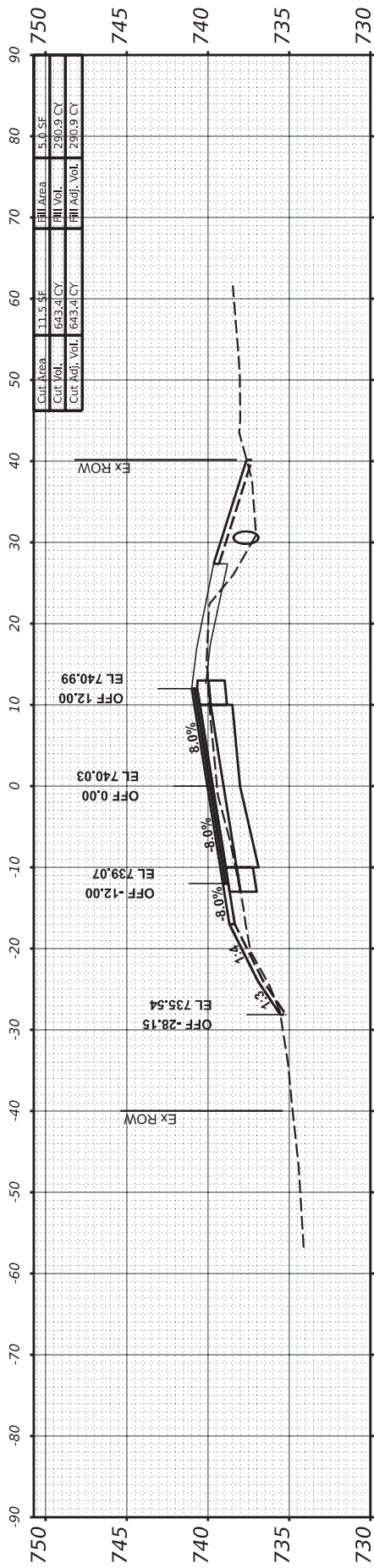
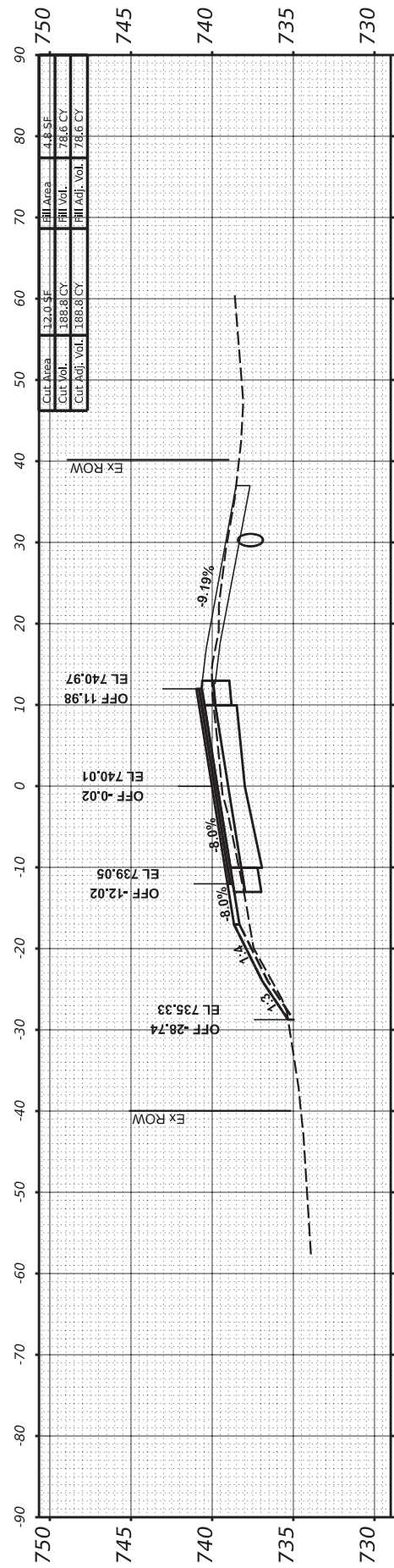
SCALE: 1" = 10' H
 1" = 5' V
 SHEET OF 125 SHEETS STA.

F.A.S. RTE. 1084	SECTION 20-00102-00-PV	COUNTY CARROLL	TOTAL SHEETS 217	SHEET NO. 203
CONTRACT NO. 85761				
ILLINOIS		FED. AID PROJECT		

FINAL SURVEY	SURVEYED	BY	DATE
NOTE BOOK	PLOTTED		
NO.	TEMPLATE		
	AREAS CHECKED		
	AREAS CHECKED		

ORIGINAL SURVEY	SURVEYED	BY	DATE
NOTE BOOK	PLOTTED		
NO.	TEMPLATE		
	AREAS CHECKED		
	AREAS CHECKED		

MODEL: PCL3 - 99H-50.00 (Sheet)
 FILE NAME: R39H_County7997_Carroll County - Ideal Road Reconstruction\CADD\CADD_Civil\Sheets\7997-SHT_55sect-ideal-r3-96.dgn



USER NAME = dwozniarski	DESIGNED -	REVISED -
	DRAWN -	REVISED -
PLOT SCALE = 0.16666633' / in.	CHECKED -	REVISED -
PLOT DATE = 6/14/2024	DATE = 04/17/2024	REVISED -

**STATE OF ILLINOIS
 DEPARTMENT OF TRANSPORTATION**

SCALE: 1" = 10' H
 1" = 5' V

**IDEAL ROAD RECONSTRUCTION
 CROSS SECTIONS - IDEAL ROAD**

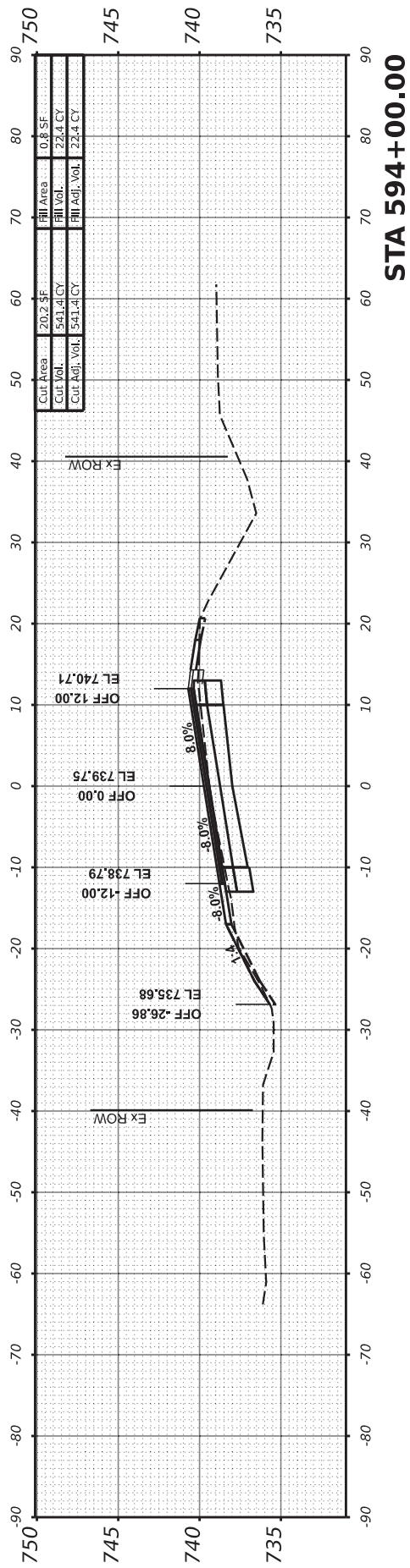
SHEET OF 125 SHEETS STA.

F.A.S. RTE. 1084	SECTION 20-00102-00-PV	COUNTY CARROLL	TOTAL SHEETS 217	SHEET NO. 204
CONTRACT NO. 85761				
ILLINOIS		FED. AID PROJECT		

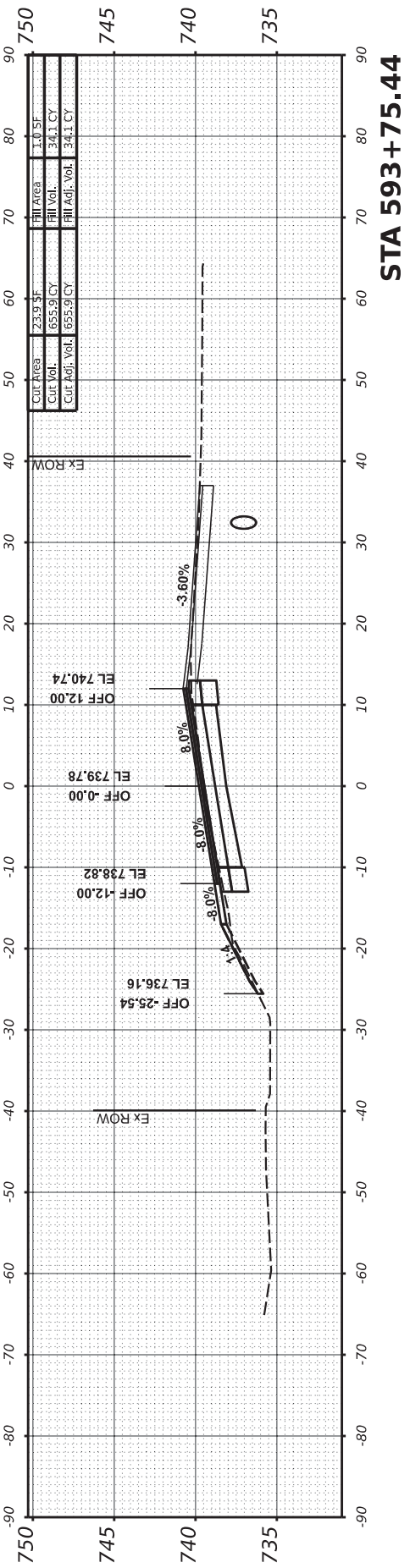
FINAL SURVEY NO.	SURVEYED PLOTTED AREAS CHECKED	DATE
NOTE BOOK	TEMPLATE	
	AREAS CHECKED	
	BY	

ORIGINAL SURVEY NO.	SURVEYED PLOTTED AREAS CHECKED	DATE
NOTE BOOK	TEMPLATE	
	AREAS CHECKED	
	BY	

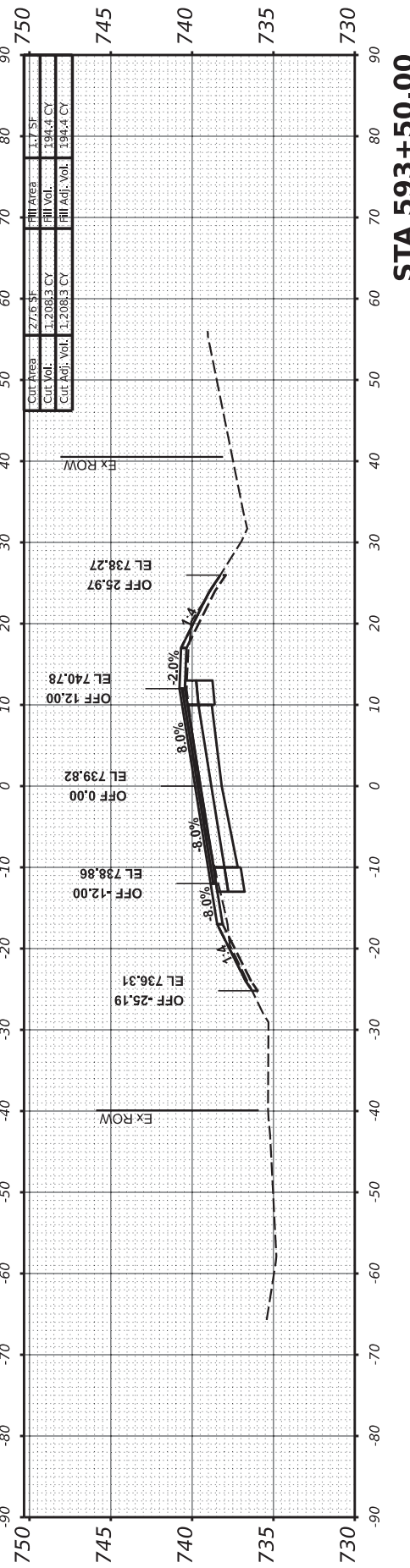
MODEL: PCL3 - 992+50.00 (Sheet)
 FILE NAME: R391_County7997_Carroll County - Ideal Road Reconstruction\CADD\CADD_Civil\Sheets\7997-SHT_25sect-ideal-3-26.dgn



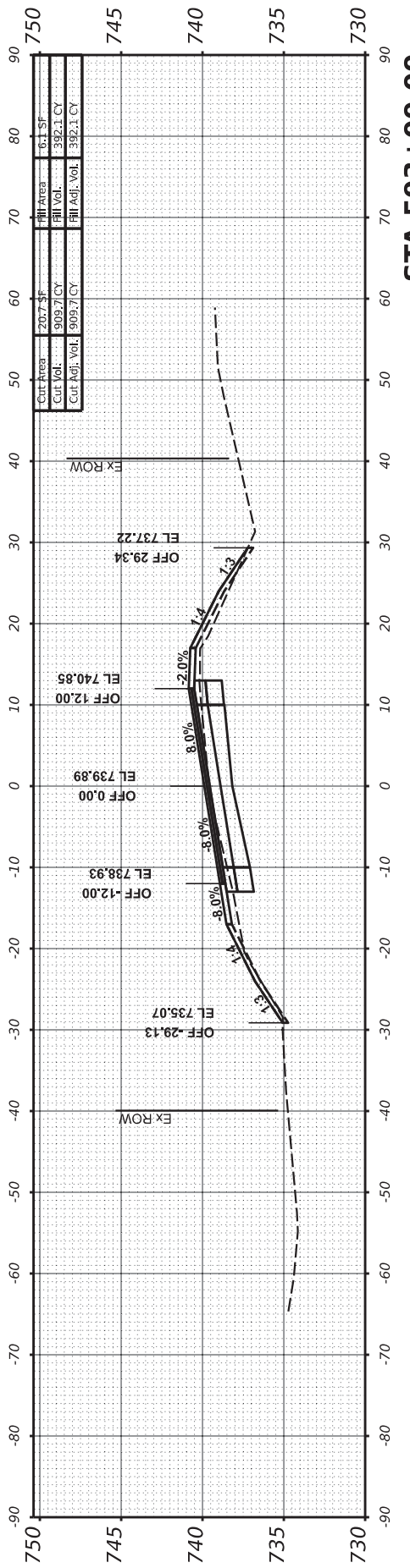
STA 594+00.00



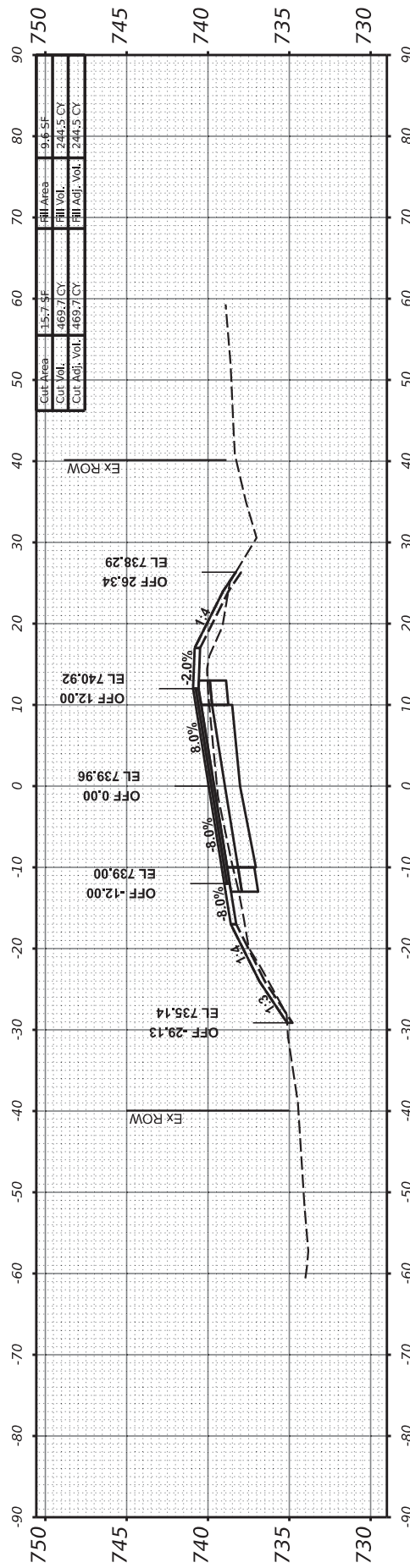
STA 593+75.44



STA 593+50.00



STA 593+00.00



STA 592+50.00

USER NAME = dwozniarski	DESIGNED -	REVISED -
PLOT SCALE = 0.16666633''/in.	DRAWN -	REVISED -
PLOT DATE = 6/14/2024	CHECKED -	REVISED -
	DATE = 04/17/2024	REVISED -

STATE OF ILLINOIS
 DEPARTMENT OF TRANSPORTATION

SCALE: 1" = 10' H
 5" = 5' V

IDEAL ROAD RECONSTRUCTION
 CROSS SECTIONS - IDEAL ROAD

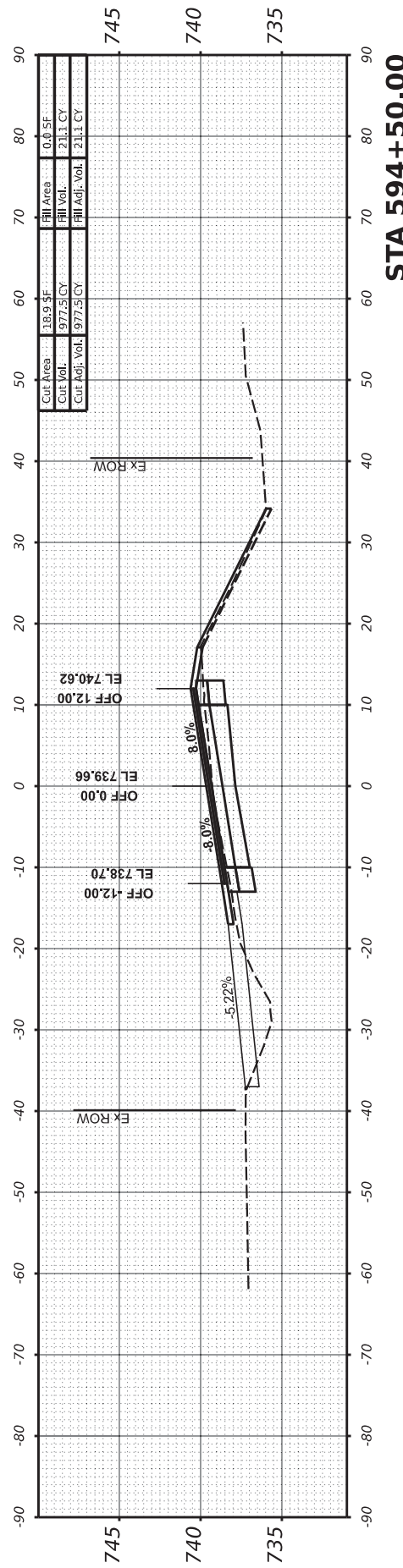
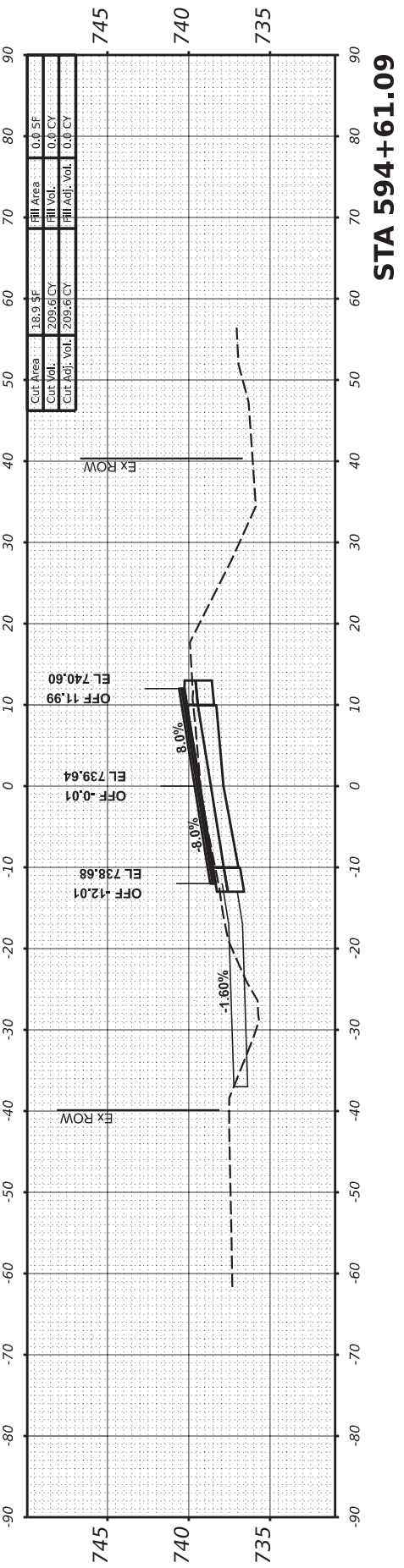
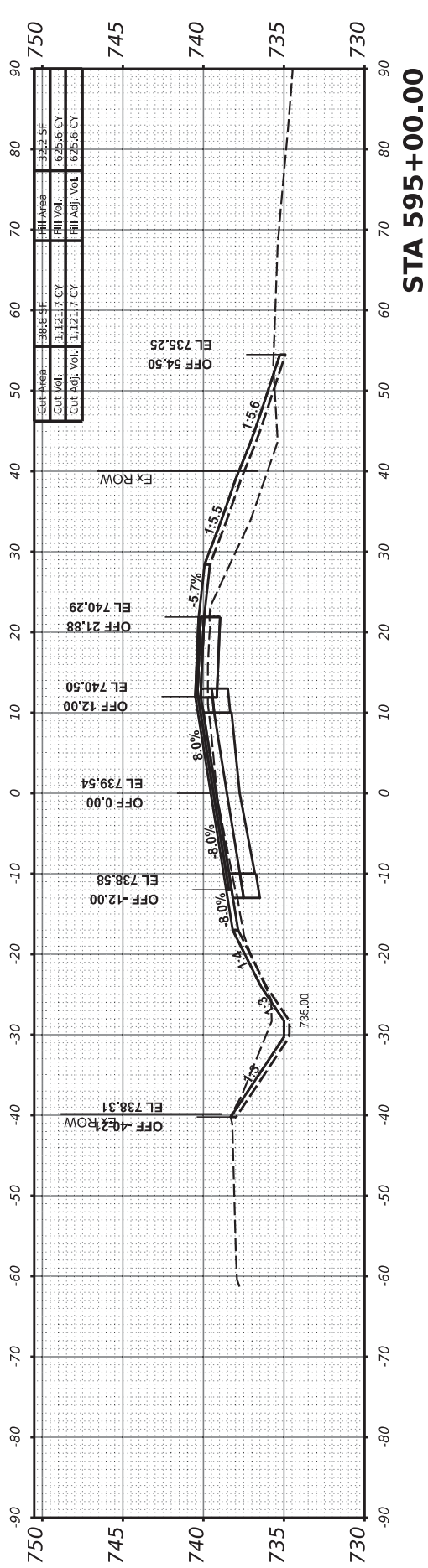
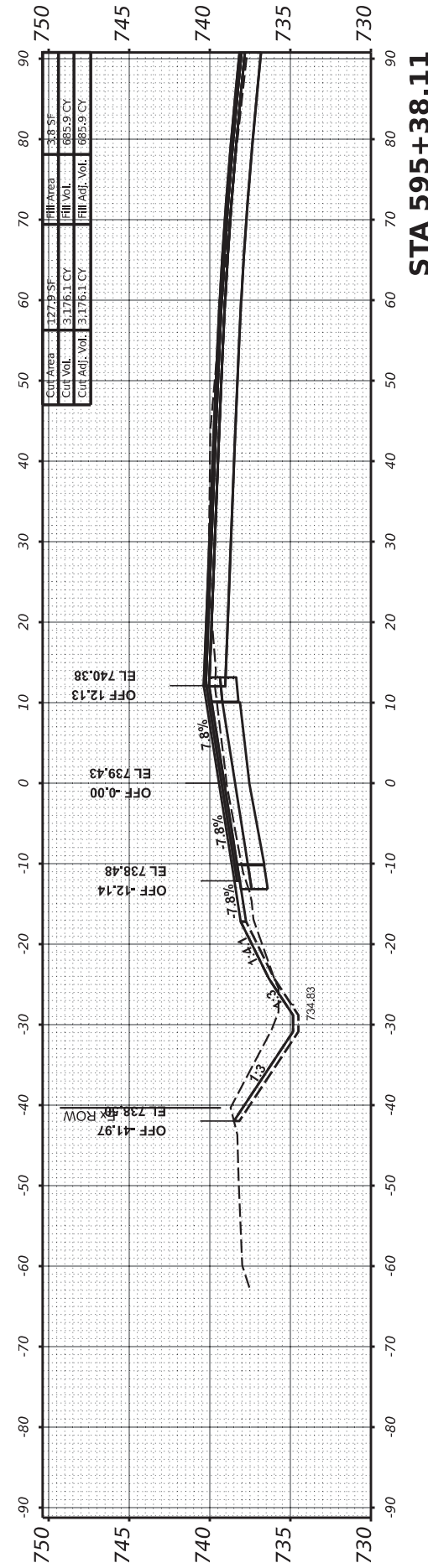
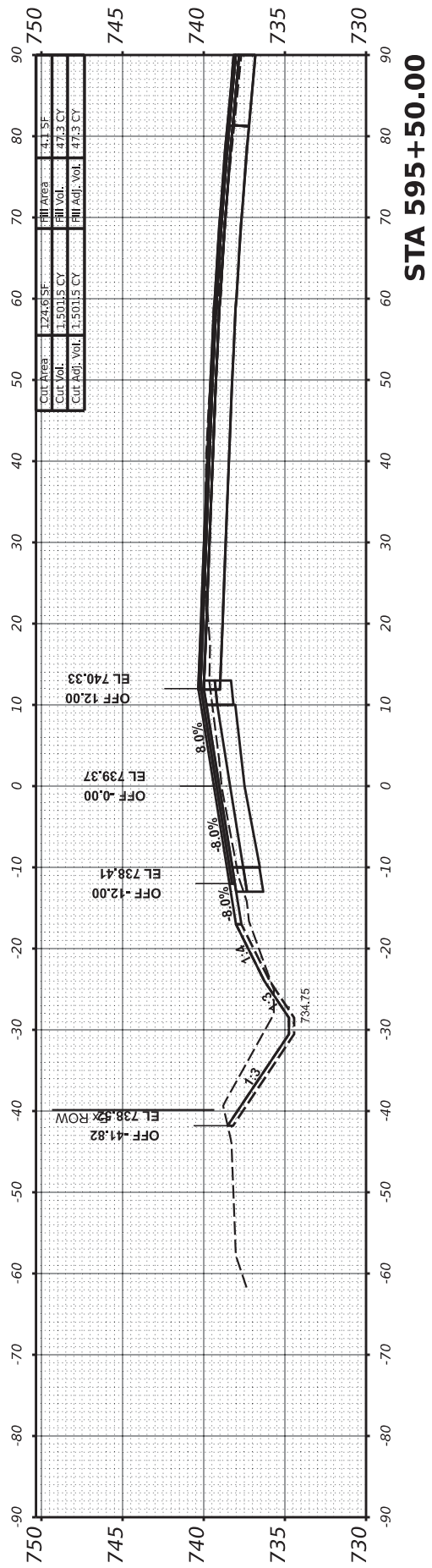
SHEET OF 125 SHEETS STA.

F.A.S. RTE. 1084	SECTION 20-00102-00-PV	COUNTY CARROLL	TOTAL SHEETS 217	SHEET NO. 205
CONTRACT NO. 85761				
ILLINOIS		FED. AID PROJECT		

FINAL SURVEY NO.	SURVEYED BY	DATE
NOTE BOOK	PLOTTED TEMPLATE	
AREAS CHECKED	AREAS CHECKED	

ORIGINAL SURVEY NO.	SURVEYED BY	DATE
NOTE BOOK	PLOTTED TEMPLATE	
AREAS CHECKED	AREAS CHECKED	

MODEL: PCL-3 - 994+50.00 (Sheet)
 FILE NAME: R394_County7997_Carroll County - Ideal Road Reconstruction\CADD\CADD_Civil\Sheets\7997-SHT_3-Sect-Ideal-3-96.dgn



USER NAME = dwozniarski	DESIGNED -	REVISD -
PLOT SCALE = 1/8" = 10' H	DRAWN -	REVISD -
PLOT DATE = 6/14/2024	CHECKED -	REVISD -
	DATE = 04/17/2024	REVISD -

**STATE OF ILLINOIS
 DEPARTMENT OF TRANSPORTATION**

**IDEAL ROAD RECONSTRUCTION
 CROSS SECTIONS - IDEAL ROAD**

SCALE: 1" = 10' H
 1" = 5' V

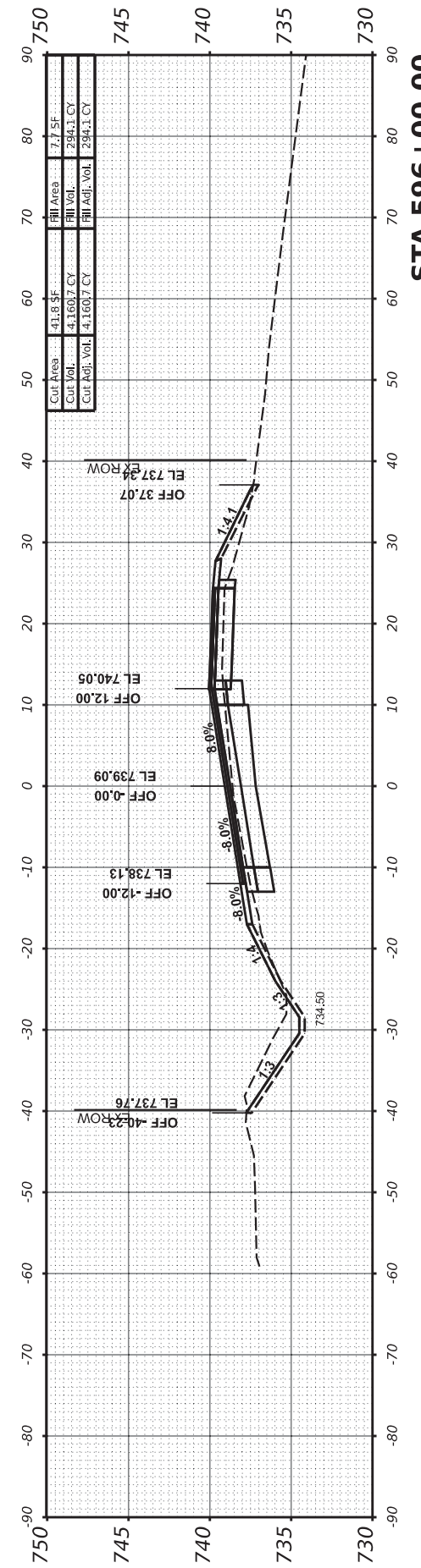
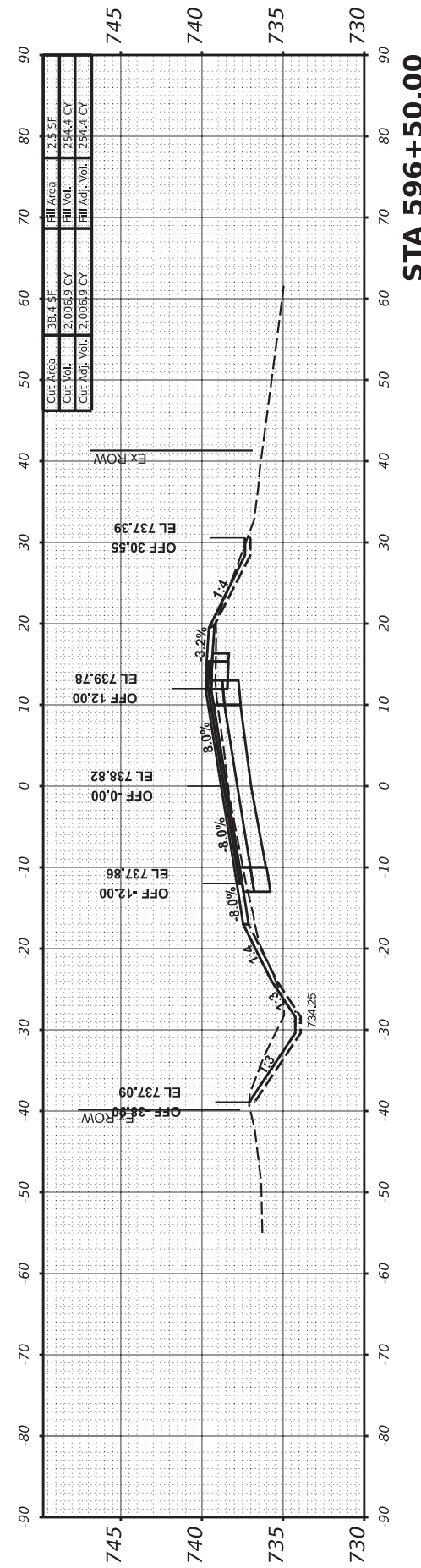
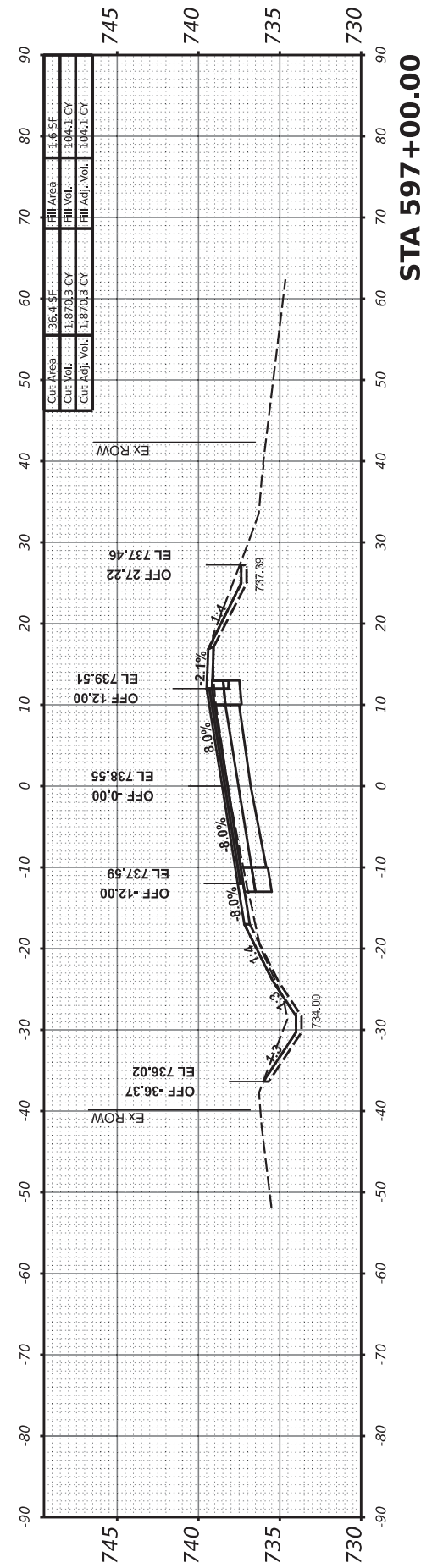
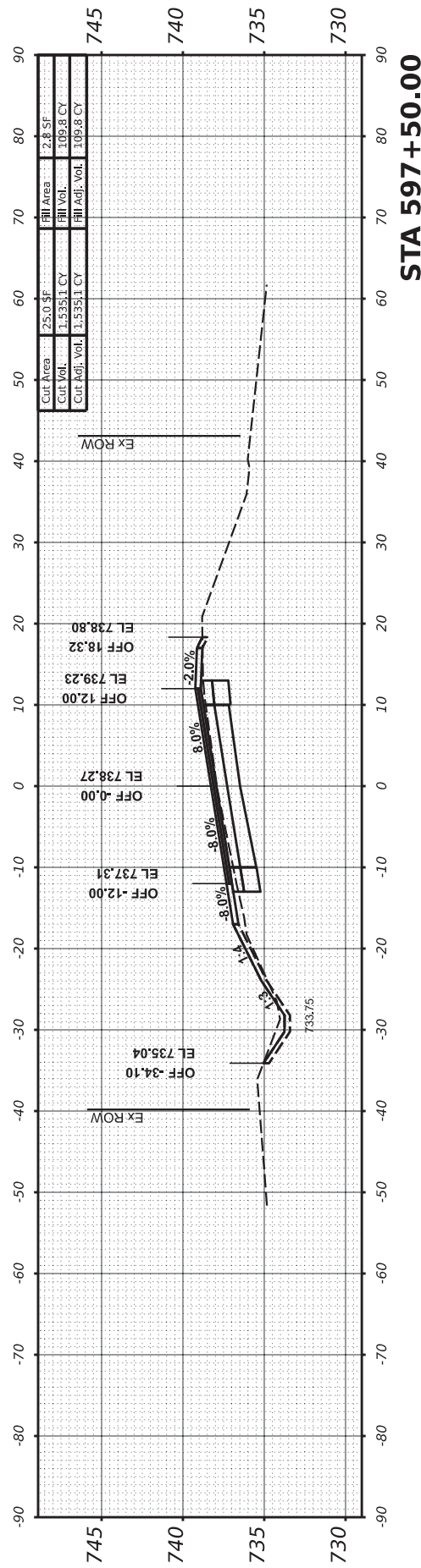
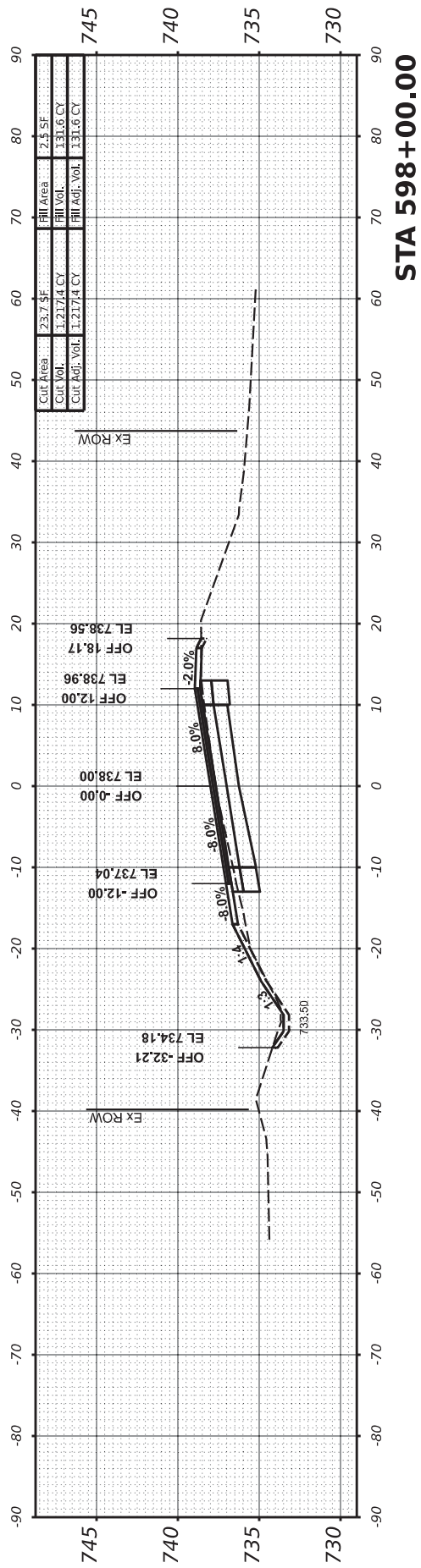
SHEET OF 125 SHEETS STA.

F.A.S. RTE. 1084	SECTION 20-00102-00-PV	COUNTY CARROLL	TOTAL SHEETS 217	SHEET NO. 206
CONTRACT NO. 85761				
ILLINOIS		FED. AID PROJECT		

FINAL SURVEY	SURVEYED	BY	DATE
NOTE BOOK	PLOTTED		
NO.	TEMPLATE		
	AREAS CHECKED		
	AREAS CHECKED		

ORIGINAL SURVEY	SURVEYED	BY	DATE
NOTE BOOK	PLOTTED		
NO.	TEMPLATE		
	AREAS CHECKED		
	AREAS CHECKED		

MODEL: PCL3 - 596+00.00 (Sheet)
 FILE NAME: R:\P1_Country7597_Carroll County - Ideal Road Reconstruction\CADD\CADD_Civil\Sheets\7597-SHT_2\sect-ideal-r3-596.dgn



USER NAME = dwozniarski	DESIGNED -	REVISED -
PLOT SCALE = 0.16666633''/in.	DRAWN -	REVISED -
PLOT DATE = 6/14/2024	CHECKED -	REVISED -
	DATE = 04/17/2024	REVISED -

**STATE OF ILLINOIS
 DEPARTMENT OF TRANSPORTATION**

**IDEAL ROAD RECONSTRUCTION
 CROSS SECTIONS - IDEAL ROAD**

SCALE: 1" = 10' H
 1" = 5' V

SHEET OF 125 SHEETS STA.

F.A.S. RTE. 1084	SECTION 20-00102-00-PV	COUNTY CARROLL	TOTAL SHEETS 217	SHEET NO. 207
CONTRACT NO. 85761				
ILLINOIS		FED. AID PROJECT		

FINAL SURVEY NO.	SURVEYED AREAS CHECKED	BY	DATE
NOTE BOOK	PLOTTED TEMPLATE		
	AREAS CHECKED		
	AREAS CHECKED		

ORIGINAL SURVEY NO.	SURVEYED AREAS CHECKED	BY	DATE
NOTE BOOK	PLOTTED TEMPLATE		
	AREAS CHECKED		
	AREAS CHECKED		

MODEL: PCL3 - 998+50.00 (Sheet)
 FILE NAME: R391_County7997_Carroll County - Ideal Road Reconstruction\CADD\CADD_Civil\Sheets\997-SHT_2\sect\ideal-r3-96.dgn

USER NAME = dwozniarski	DESIGNED -	REVISED -
PLOT SCALE = 0.16666633''/in.	DRAWN -	REVISED -
PLOT DATE = 6/14/2024	CHECKED -	REVISED -
	DATE - 04/17/2024	REVISED -

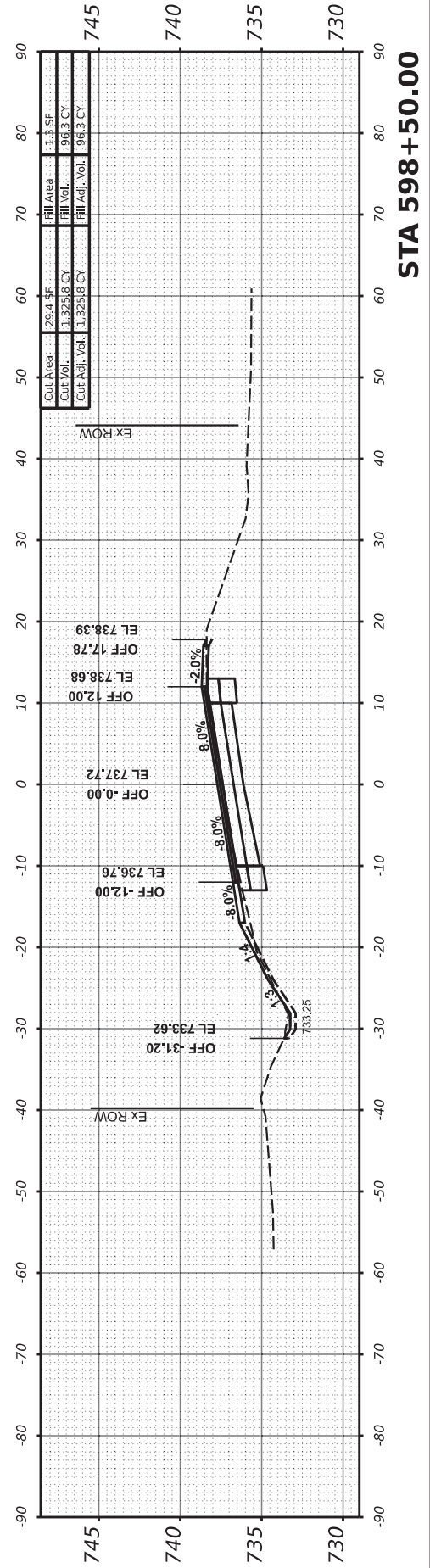
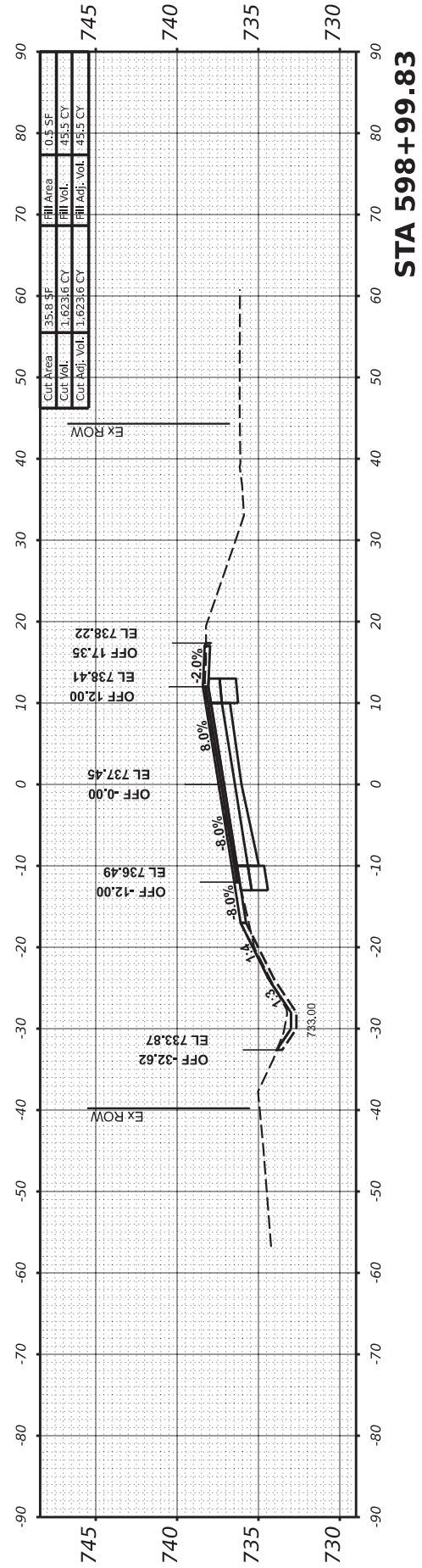
**STATE OF ILLINOIS
DEPARTMENT OF TRANSPORTATION**

**IDEAL ROAD RECONSTRUCTION
CROSS SECTIONS - IDEAL ROAD**

SCALE: $\frac{1"}{10'} = \frac{1"}{5'} \frac{H}{V}$

SHEET OF 125 SHEETS STA.

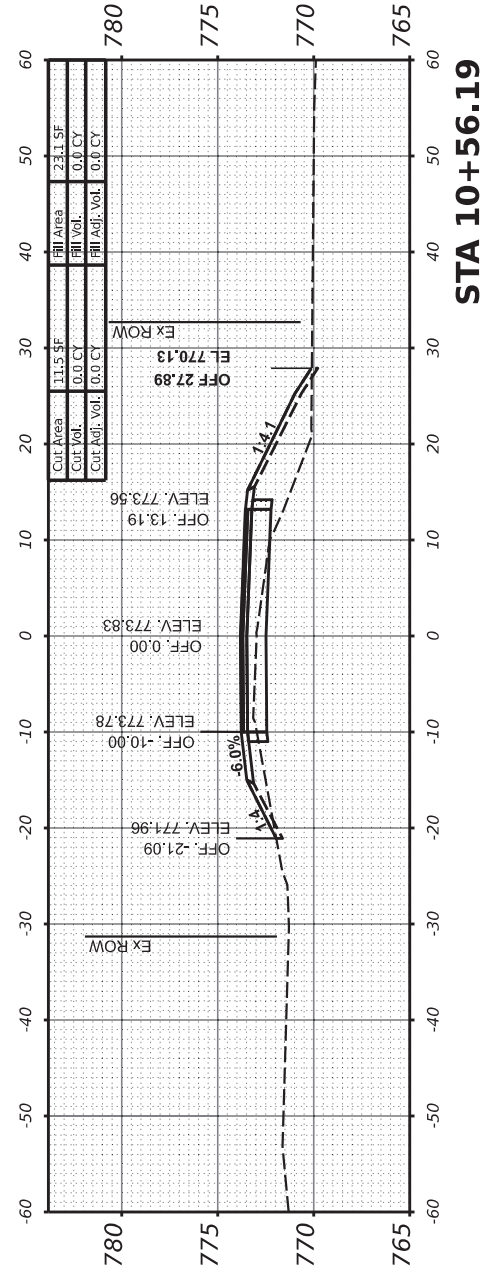
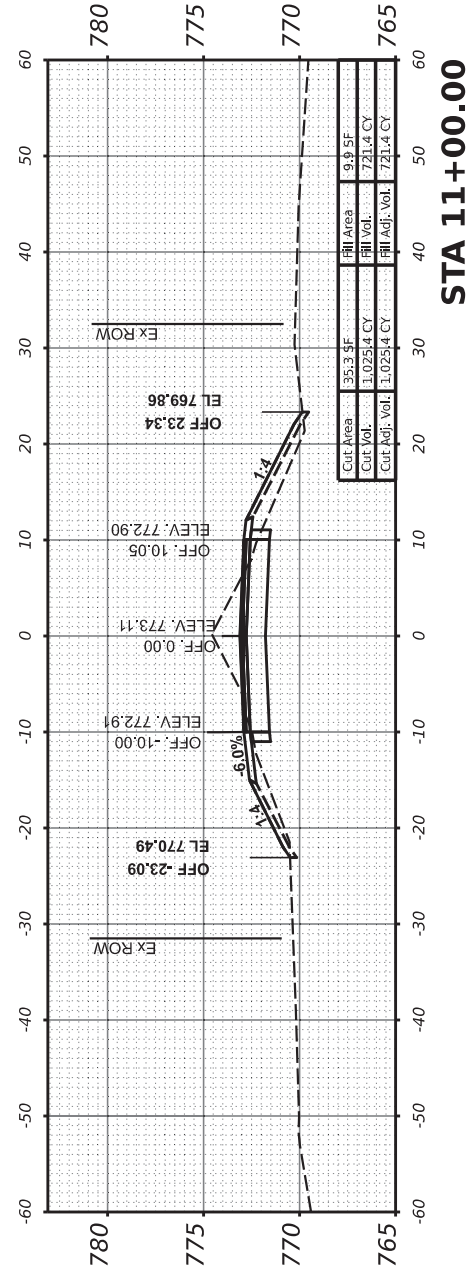
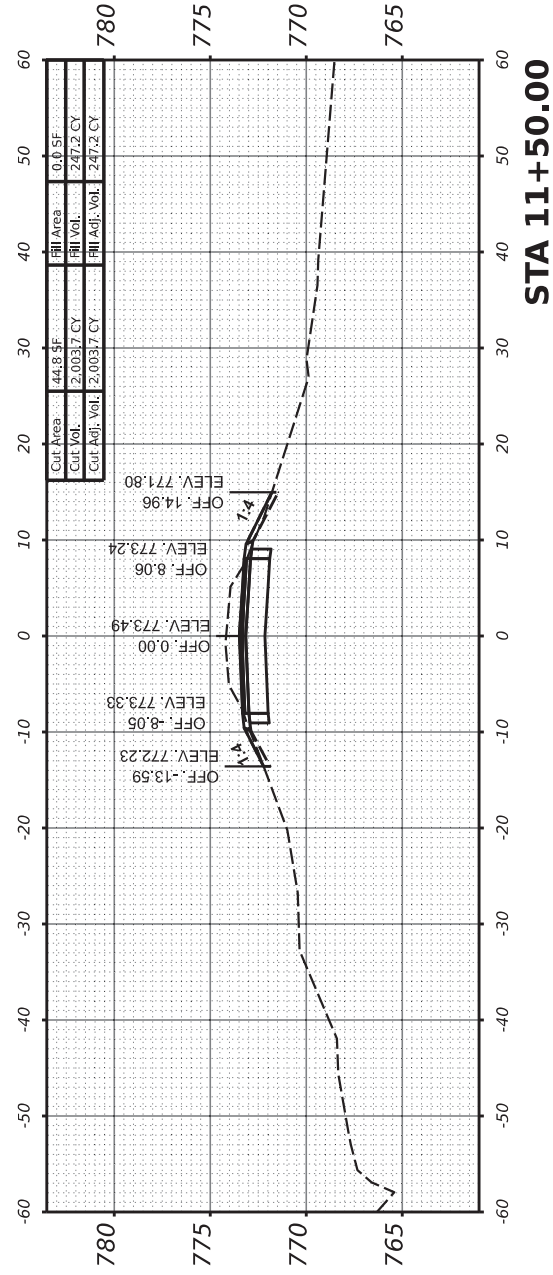
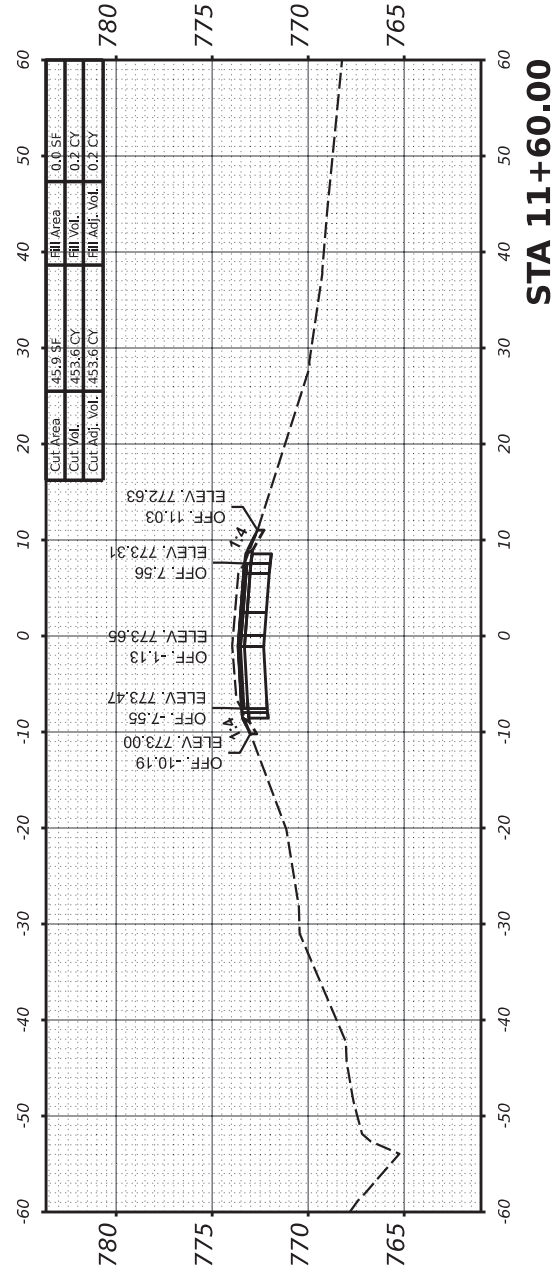
F.A.S. RTE. 1084	SECTION 20-00102-00-PV	COUNTY CARROLL	TOTAL SHEETS 217	SHEET NO. 208
CONTRACT NO. 85761				
ILLINOIS		FED. AID PROJECT		



FINAL SURVEY NO.	SURVEYED AREAS CHECKED	BY	DATE
NOTE BOOK	PLOTTED AREAS		
	TEMPLATE		
	AREAS		
	ADJUSTED		

ORIGINAL SURVEY NO.	SURVEYED AREAS CHECKED	BY	DATE
NOTE BOOK	PLOTTED AREAS		
	TEMPLATE		
	AREAS		
	ADJUSTED		

MODEL: P:\CL\Bighill - 10+56.19 (Sheet)
 FILE NAME: R307_County7597_Carroll County - Ideal Road Reconstruction\CADD\CADD_Civil\Sheets\7597-SHT_5\sect-5\Ide Road.scdgn



USER NAME = dwozmiarsti	DESIGNED -	REVISED -
PLOT SCALE = 0.16666633''/in.	DRAWN -	REVISED -
PLOT DATE = 6/14/2024	CHECKED -	REVISED -
	DATE = 04/17/2024	REVISED -

**STATE OF ILLINOIS
 DEPARTMENT OF TRANSPORTATION**

**IDEAL ROAD RECONSTRUCTION
 CROSS SECTIONS - BIG HILL ROAD**

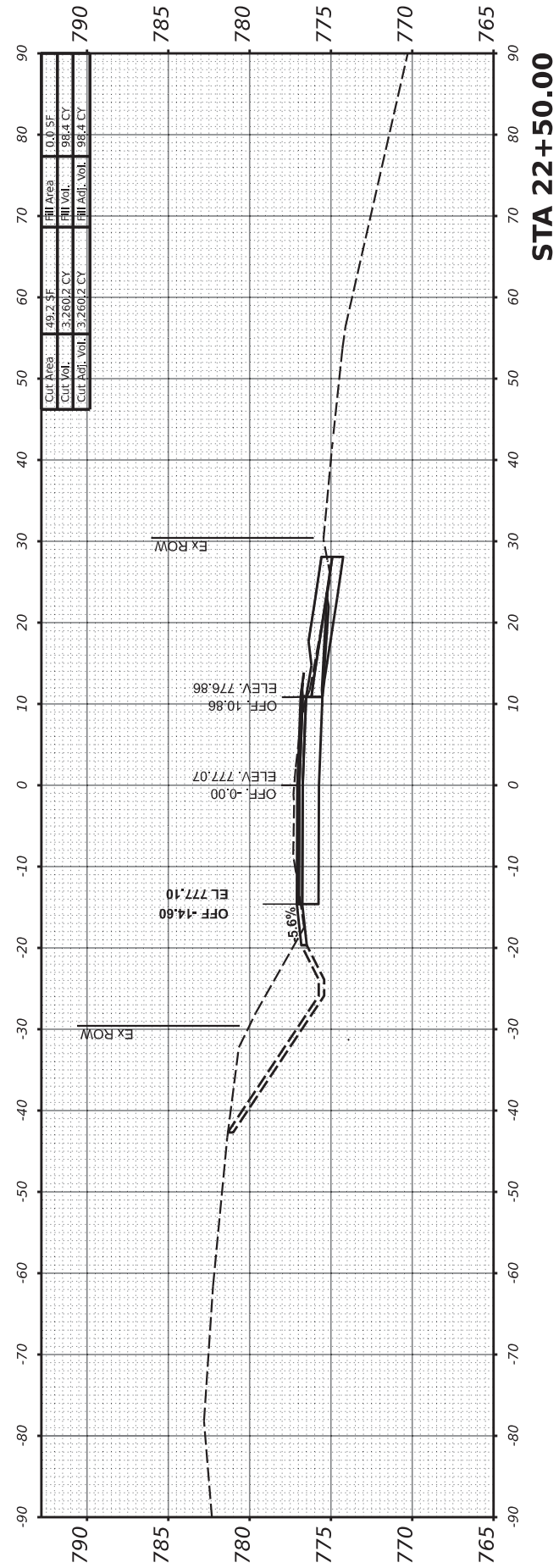
SCALE: 1" = 10' H, 1" = 5' V SHEET OF 125 SHEETS STA.

F.A.S. RTE. 1084	SECTION 20-00102-00-PV	COUNTY CARROLL	TOTAL SHEETS 217	SHEET NO. 209
CONTRACT NO. 85761				
ILLINOIS		FED. AID PROJECT		

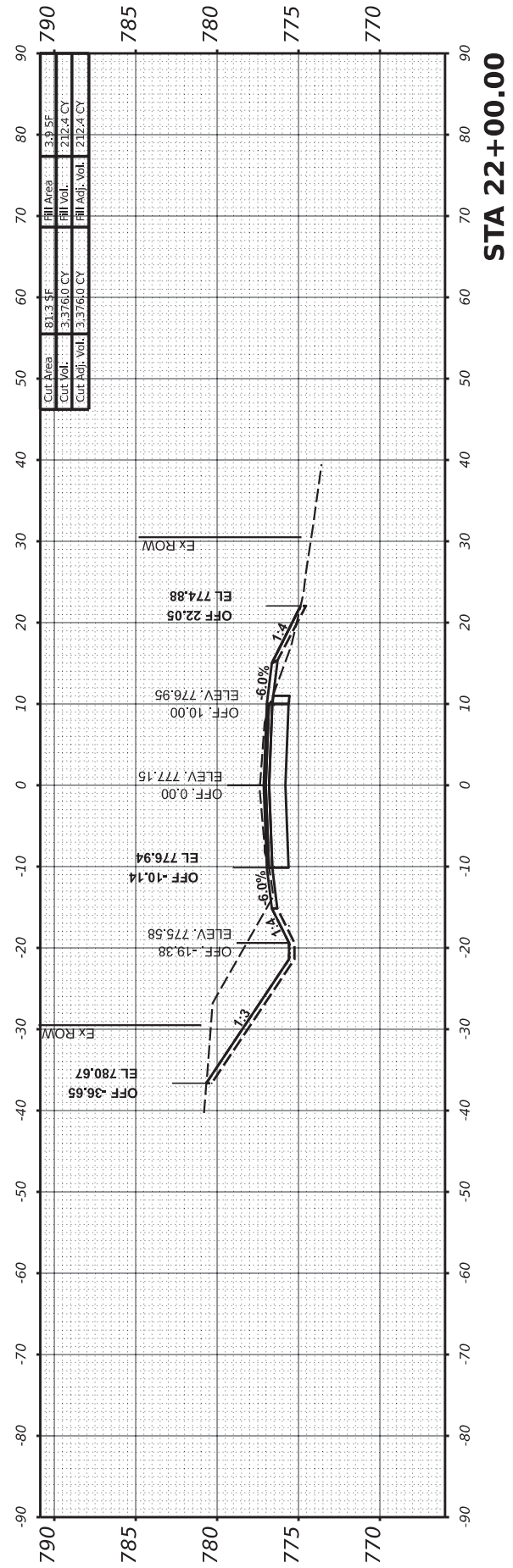
FINAL SURVEY	SURVEYED	BY	DATE
NOTE BOOK	PLOTTED		
NO.	TEMPLATE		
	AREAS		
	CHECKED		

ORIGINAL SURVEY	SURVEYED	BY	DATE
NOTE BOOK	PLOTTED		
NO.	TEMPLATE		
	AREAS		
	CHECKED		

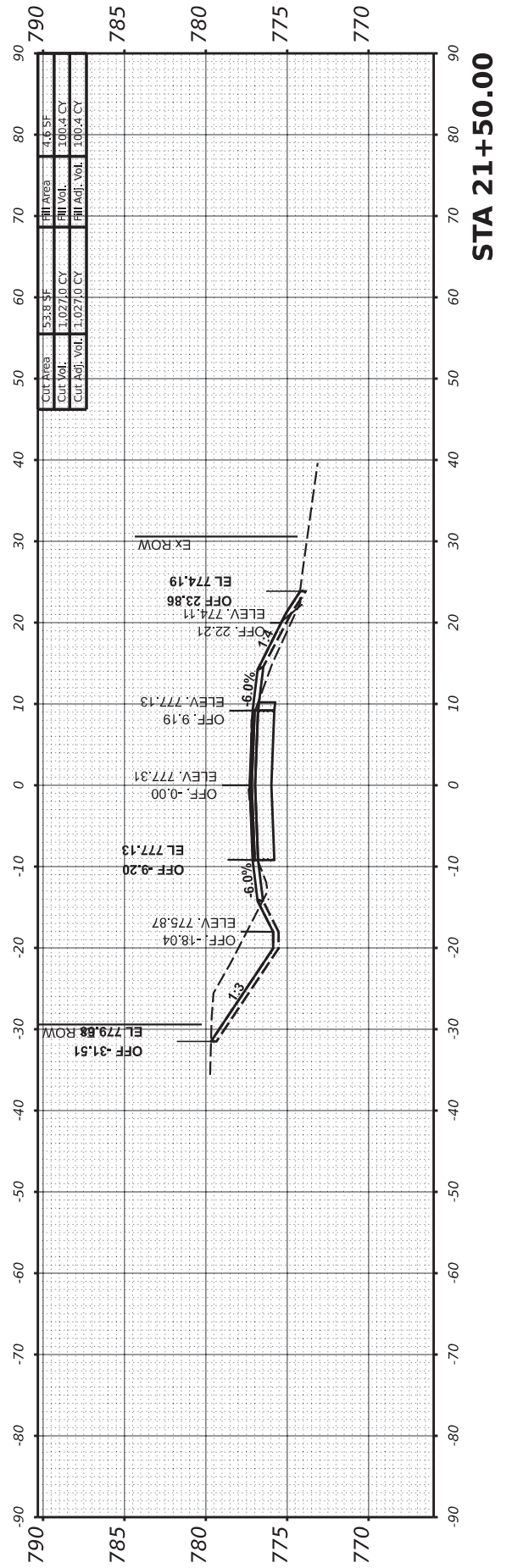
MODEL: P:\C\Jefferson - 21+28.00 (Sheet)
 FILE NAME: R:\P\County\797 Carroll County - Ideal Road Reconstruction\CADD\CADD_Civil\Sheets\797-SHT_21+28.00-1-1-24.dwg



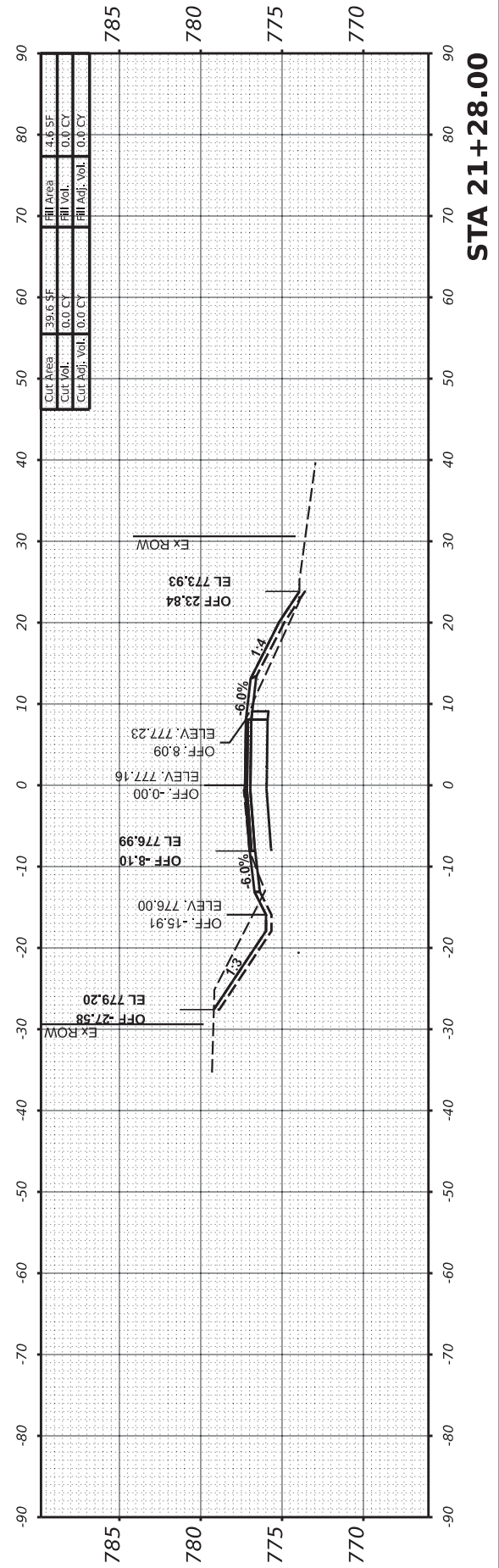
STA 22+50.00



STA 22+00.00



STA 21+50.00



STA 21+28.00

USER NAME = dwozniarski	DESIGNED -	REVISED -
PLOT SCALE = 0.16666633''/in.	DRAWN -	REVISED -
PLOT DATE = 6/14/2024	CHECKED -	REVISED -
	DATE - 04/17/2024	REVISED -

STATE OF ILLINOIS
 DEPARTMENT OF TRANSPORTATION

IDEAL ROAD RECONSTRUCTION
 CROSS SECTIONS - JEFFERSON ROAD

SCALE: 1" = 10' H
 1" = 5' V

SHEET OF 125 SHEETS STA.

F.A.S. RTE.	SECTION	COUNTY	TOTAL SHEETS	SHEET NO.
1084	20-00102-00-PV	CARROLL	217	210
CONTRACT NO. 85761				
ILLINOIS		FED. AID PROJECT		

FINAL SURVEY NO.	SURVEYED PLOTTED AREAS CHECKED	BY	DATE
NOTE BOOK	TEMPLATE		
	AREAS CHECKED		

ORIGINAL SURVEY NO.	SURVEYED PLOTTED AREAS CHECKED	BY	DATE
NOTE BOOK	TEMPLATE		
	AREAS CHECKED		

MODEL: P:\C\Jefferson - 22+63.42 (Sheet)
 FILE NAME: R391_County\997 Carroll County - Ideal Road Reconstruction\CADD\CADD_Civil\Sheets\997-SHT_XSect-5Side Road.scdgn

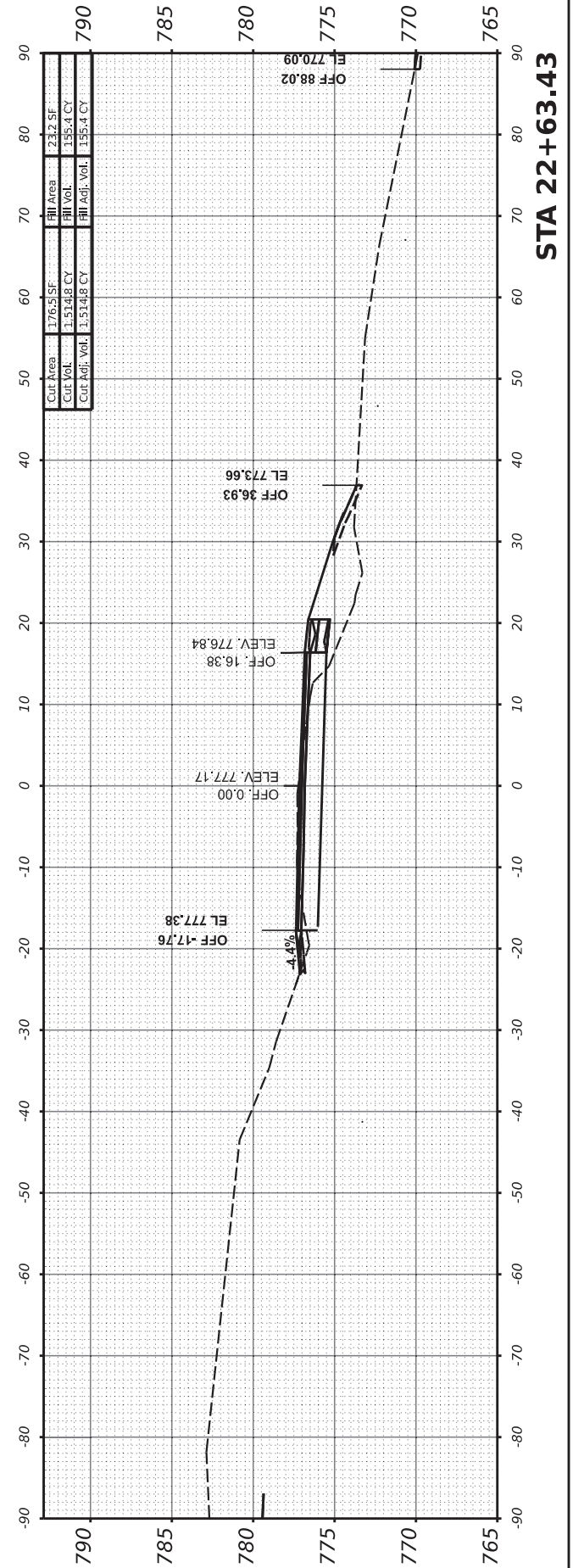
USER NAME = dwozniarski	DESIGNED -	REVISED -
PLOT SCALE = 0.16666633' / in.	DRAWN -	REVISED -
PLOT DATE = 6/14/2024	CHECKED -	REVISED -
	DATE - 04/17/2024	REVISED -

**STATE OF ILLINOIS
 DEPARTMENT OF TRANSPORTATION**

**IDEAL ROAD RECONSTRUCTION
 CROSS SECTIONS - JEFFERSON ROAD**

SCALE: 1" = 10' H
 1" = 5' V SHEET OF 125 SHEETS STA.

F.A.S. RTE.	SECTION	COUNTY	TOTAL SHEETS	SHEET NO.
1084	20-00102-00-PV	CARROLL	217	211
CONTRACT NO. 85761			ILLINOIS FED. AID PROJECT	

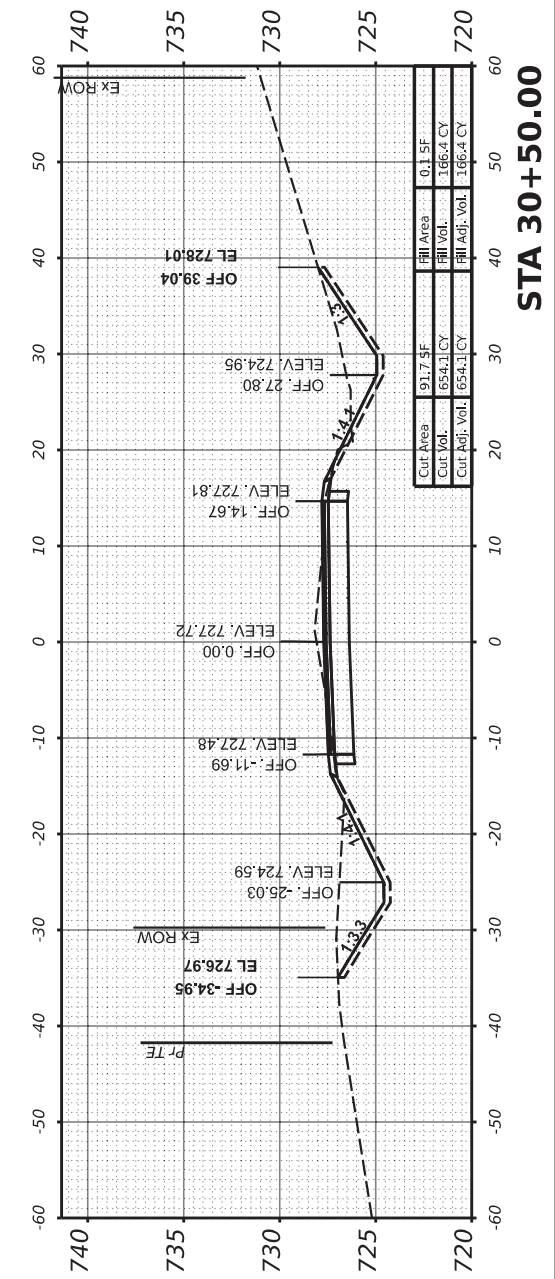
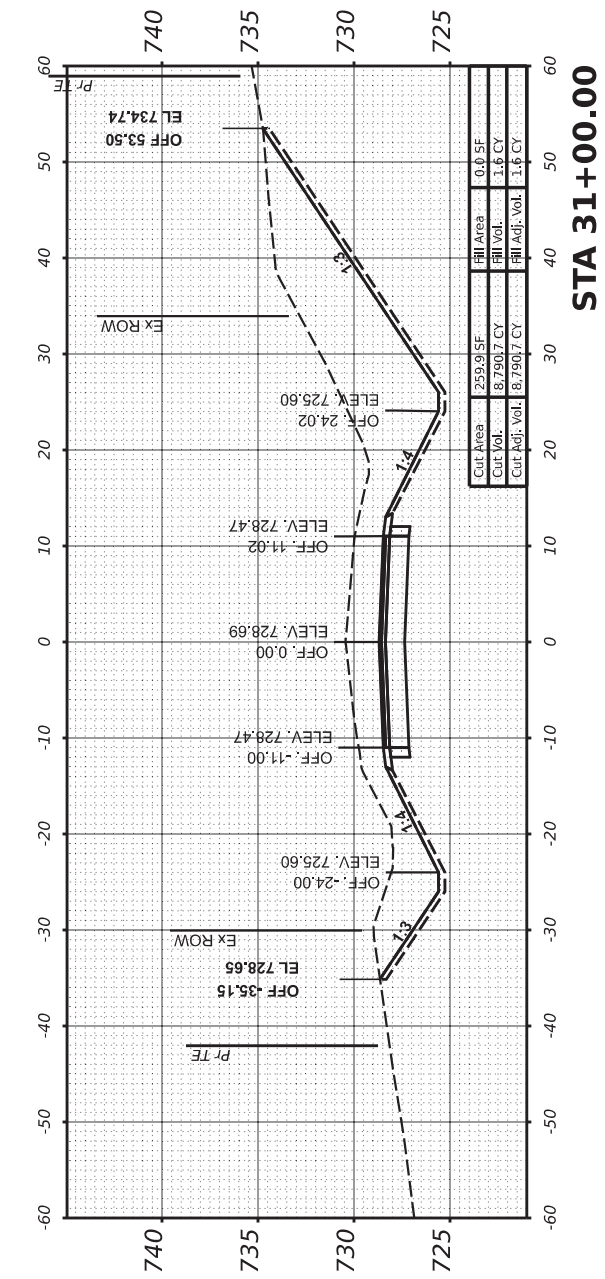
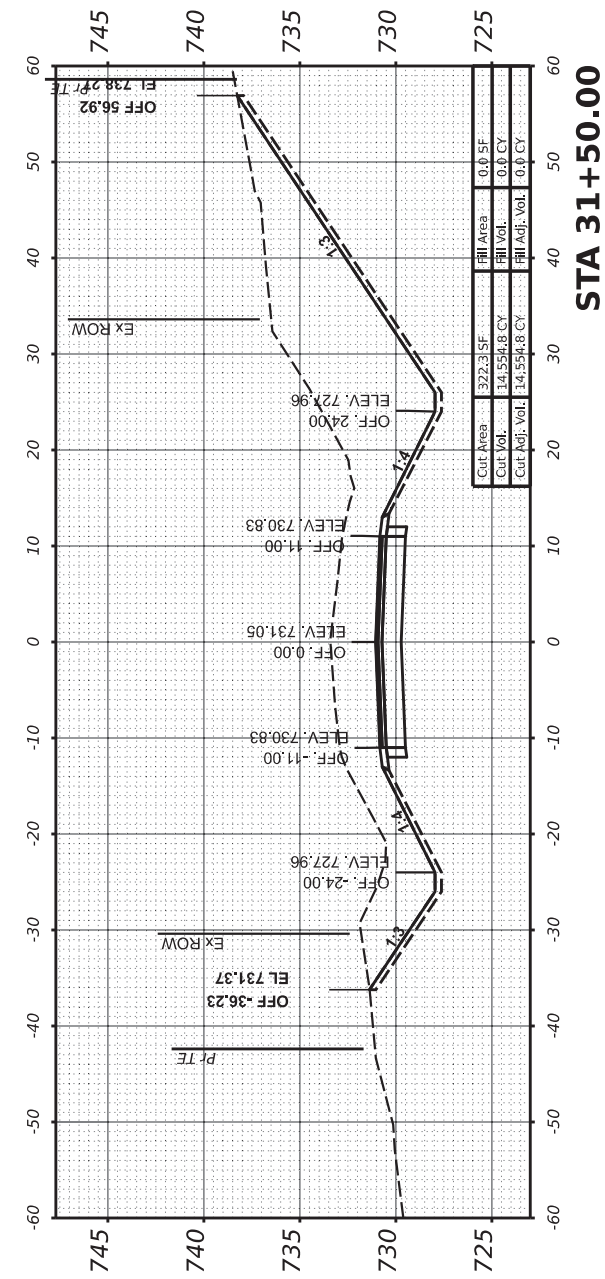
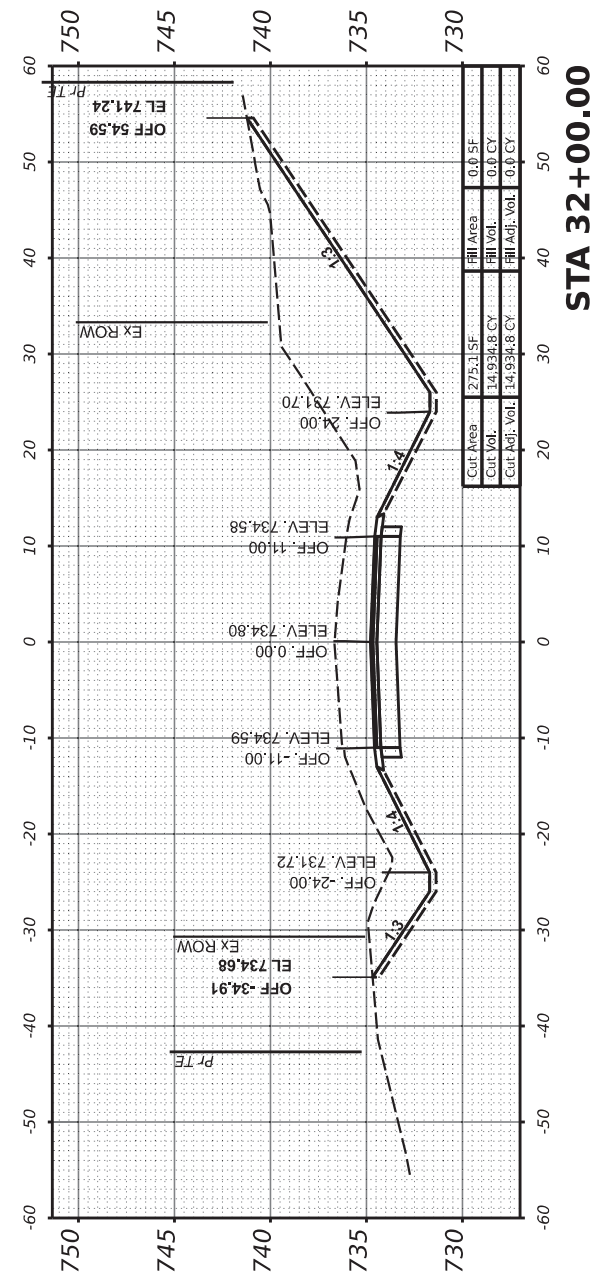
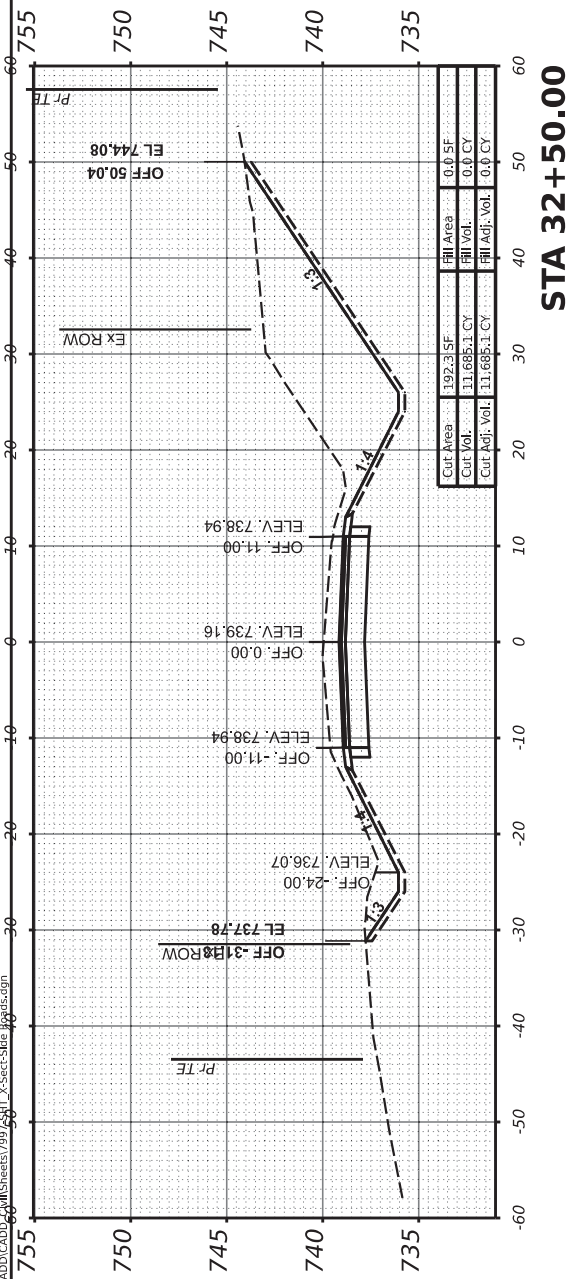


STA 22+63.43

FINAL SURVEY	SURVEYED	DATE
NOTE BOOK	PLOTTED	
AREAS CHECKED	TEMPLATE	
	AREAS CHECKED	

ORIGINAL SURVEY	SURVEYED	DATE
NOTE BOOK	PLOTTED	
AREAS CHECKED	TEMPLATE	
	AREAS CHECKED	

MODEL: P:\C\School - 30+50.00 (Sheet)
 FILE NAME: R30\County7297\Carroll County - Ideal Road Reconstruction\CADD\CAD\DWG\Sheet\30+50.00 STA 31+00.00.dwg



USER NAME = dwozniarski	DESIGNED -	REVISED -
	DRAWN -	REVISED -
PLOT SCALE = 0.16666633' / in.	CHECKED -	REVISED -
PLOT DATE = 6/14/2024	DATE - 04/17/2024	REVISED -

**STATE OF ILLINOIS
 DEPARTMENT OF TRANSPORTATION**

**IDEAL ROAD RECONSTRUCTION
 CROSS SECTIONS - SCHOOL ROAD**

SCALE: 1" = 10' H, 1" = 5' V

SHEET OF 125 SHEETS STA.

F.A.S. RTE. 1084	SECTION 20-00102-00-PV	COUNTY CARROLL	TOTAL SHEETS 217	SHEET NO. 212
CONTRACT NO. 85761				
ILLINOIS FED. AID PROJECT				

FINAL SURVEY NO.	SURVEYED PLOTTED AREAS CHECKED	BY	DATE
NOTE BOOK	TEMPLATE		
	AREAS CHECKED		

ORIGINAL SURVEY NO.	SURVEYED PLOTTED AREAS CHECKED	BY	DATE
NOTE BOOK	TEMPLATE		
	AREAS CHECKED		

85761

MODEL: P:\C\school - 33+00.00 (Sheet)
 FILE NAME: R33\County7397_Carroll County - Ideal Road Reconstruction\CADD\CADD_Civil\Sheets\7397-SHT_X5sect-5file Roads.dgn

USER NAME = dwozniarski	DESIGNED -	REVISED -
PLOT SCALE = 0.16666633''/in.	DRAWN -	REVISED -
PLOT DATE = 6/14/2024	CHECKED -	REVISED -
	DATE - 04/17/2024	REVISED -

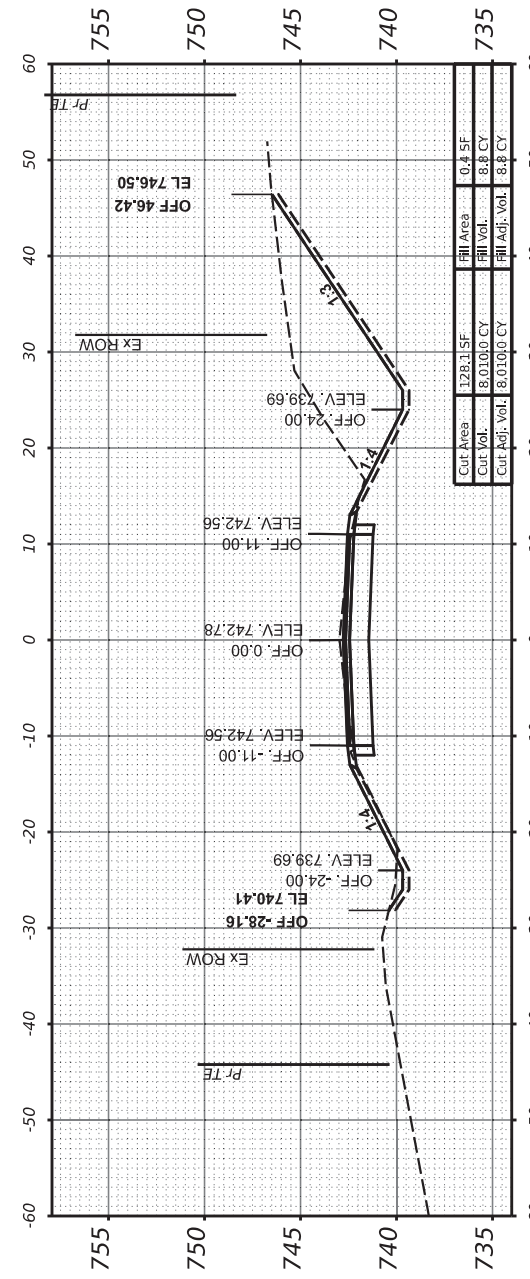
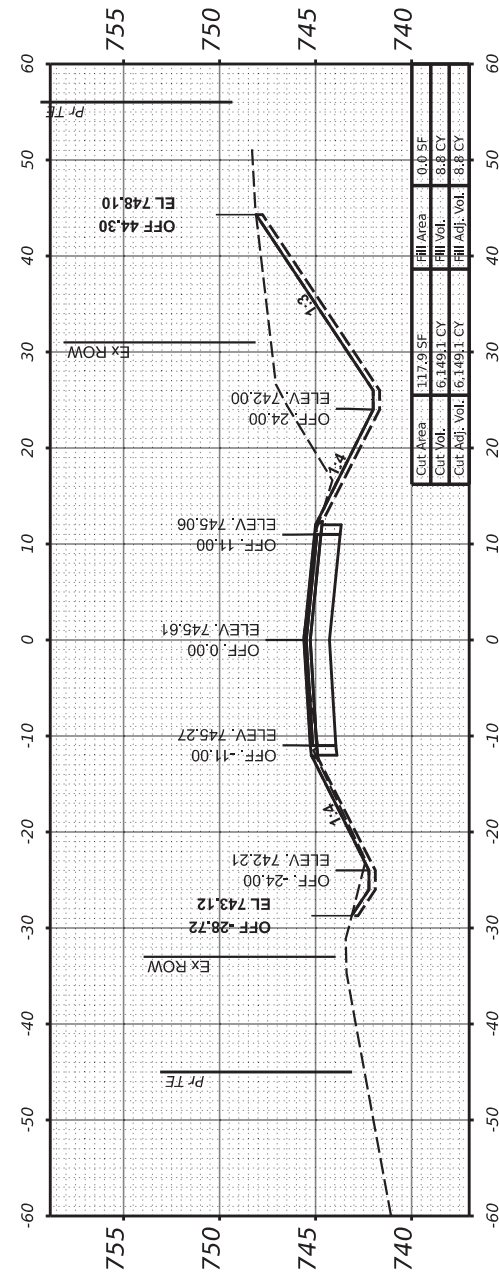
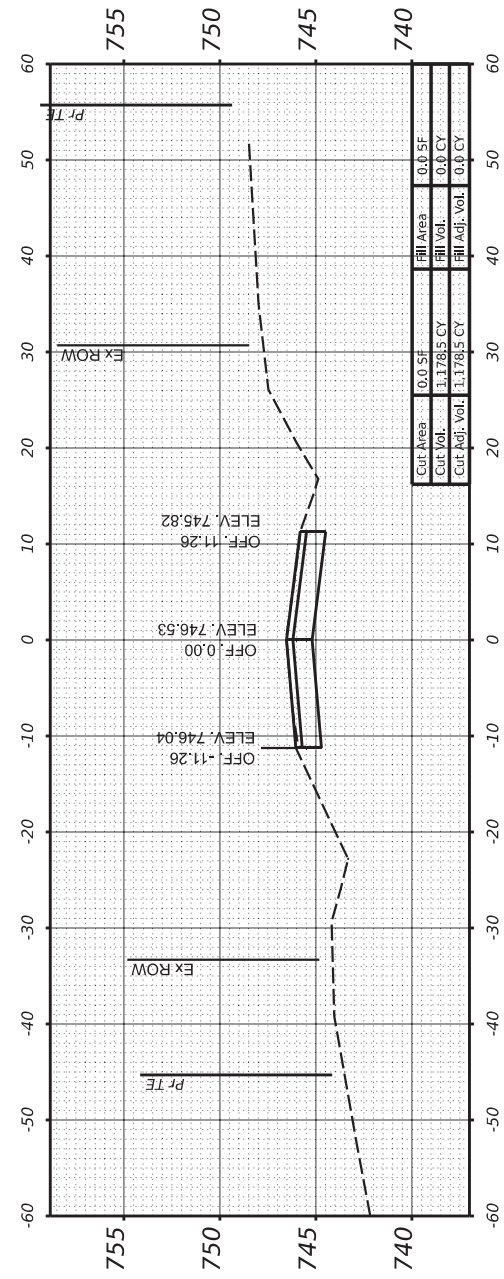
**STATE OF ILLINOIS
DEPARTMENT OF TRANSPORTATION**

SCALE: 1" = 10' H
1" = 5' V

**IDEAL ROAD RECONSTRUCTION
CROSS SECTIONS - SCHOOL ROAD**

SHEET OF 125 SHEETS STA.

F.A.S. RTE.	SECTION	COUNTY	TOTAL SHEETS	SHEET NO.
1084	20-00102-00-PV	CARROLL	217	213
CONTRACT NO. 85761				
ILLINOIS		FED. AID PROJECT		



FINAL SURVEY NO.	SURVEYED PLOTTED AREAS CHECKED	BY	DATE
NOTE BOOK	TEMPLATE		
	AREAS CHECKED		

ORIGINAL SURVEY NO.	SURVEYED PLOTTED AREAS CHECKED	BY	DATE
NOTE BOOK	TEMPLATE		
	AREAS CHECKED		

MODEL: P:\CLSouthDambman - 41+25.00 (Sheet)
 FILE NAME: R391_County7997_Carroll_County - Ideal Road Reconstruction\CADD\CADD_Civil\Sheets\7997-SHT_7\Sheet-5\Ide Road5.dgn

USER NAME = dwozniarski	DESIGNED -	REVISED -
PLOT SCALE = 0.16666633''/in.	DRAWN -	REVISED -
PLOT DATE = 6/14/2024	CHECKED -	REVISED -
	DATE - 04/17/2024	REVISED -

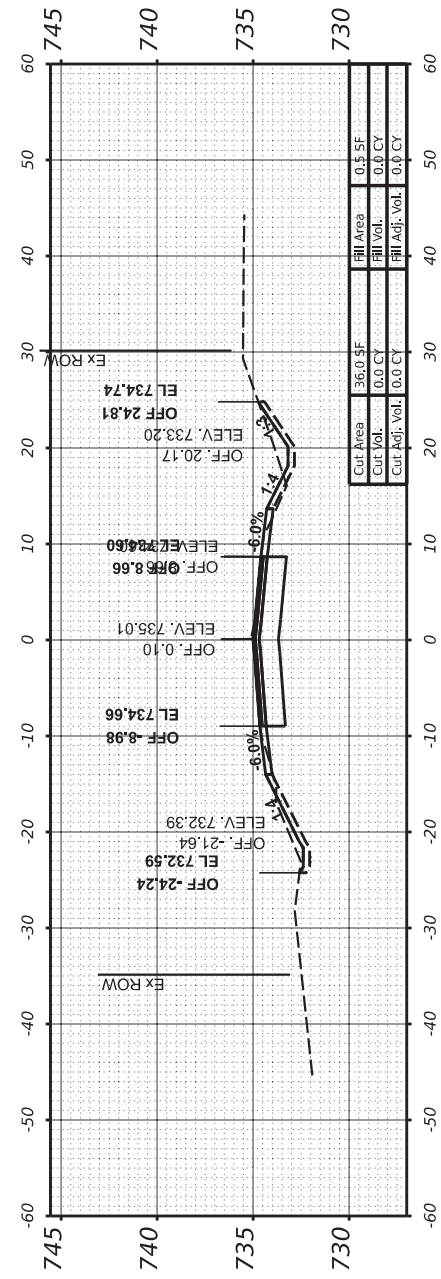
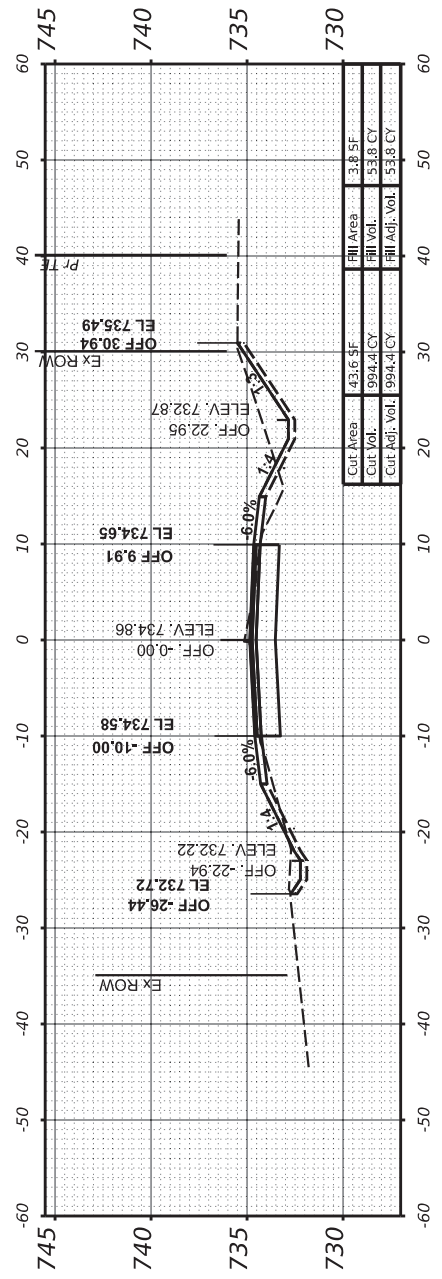
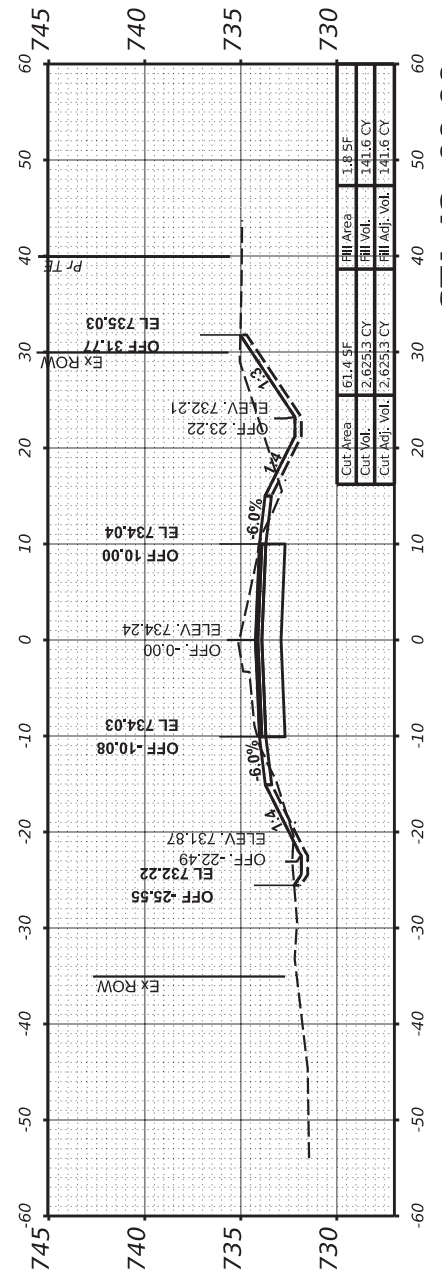
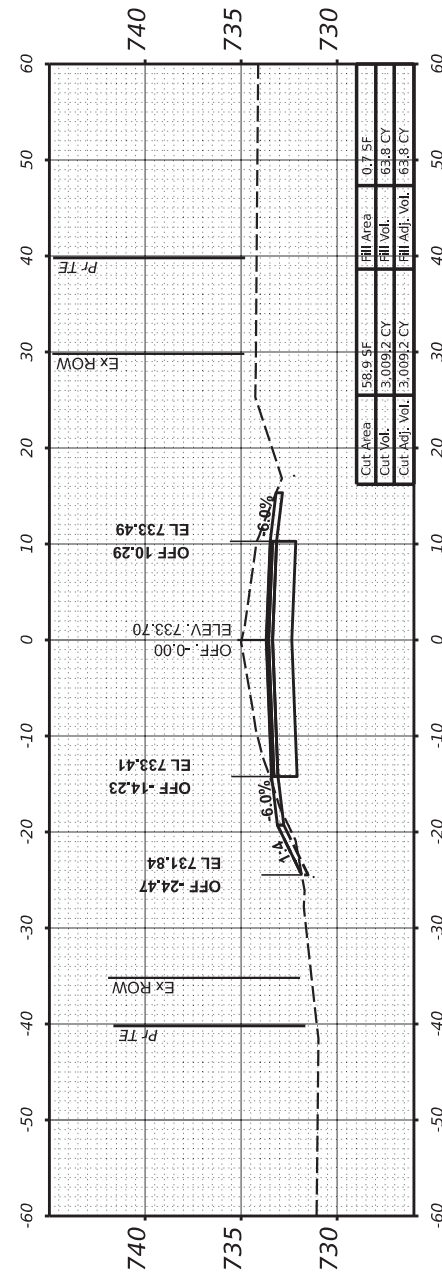
**STATE OF ILLINOIS
 DEPARTMENT OF TRANSPORTATION**

SCALE: 1" = 10' H
 1" = 5' V

**IDEAL ROAD RECONSTRUCTION
 CROSS SECTIONS - S. DAMBMAN ROAD**

SHEET OF 125 SHEETS STA.

F.A.S. RTE. 1084	SECTION 20-00102-00-PV	COUNTY CARROLL	TOTAL SHEETS 217	SHEET NO. 214
CONTRACT NO. 85761			ILLINOIS FED. AID PROJECT	



FINAL SURVEY	SURVEYED	BY	DATE
NOTE BOOK	PLOTTED		
NO.	TEMPLATE		
	AREAS CHECKED		
	AREAS CHECKED		

ORIGINAL SURVEY	SURVEYED	BY	DATE
NOTE BOOK	PLOTTED		
NO.	TEMPLATE		
	AREAS CHECKED		
	AREAS CHECKED		

MODEL: P:\CL\NorthDambman - 50+-54.75 (Sheet)
 FILE NAME: R:\P1_County\7597 Carroll County - Ideal Road Reconstruction\CADD\CADD_Civil\Sheets\7597-SHT_55sect-51te Roads.dgn

USER NAME = dwozniarski	DESIGNED -	REVISED -
	DRAWN -	REVISED -
PLOT SCALE = 0.16666633' / in.	CHECKED -	REVISED -
PLOT DATE = 6/14/2024	DATE - 04/17/2024	REVISED -

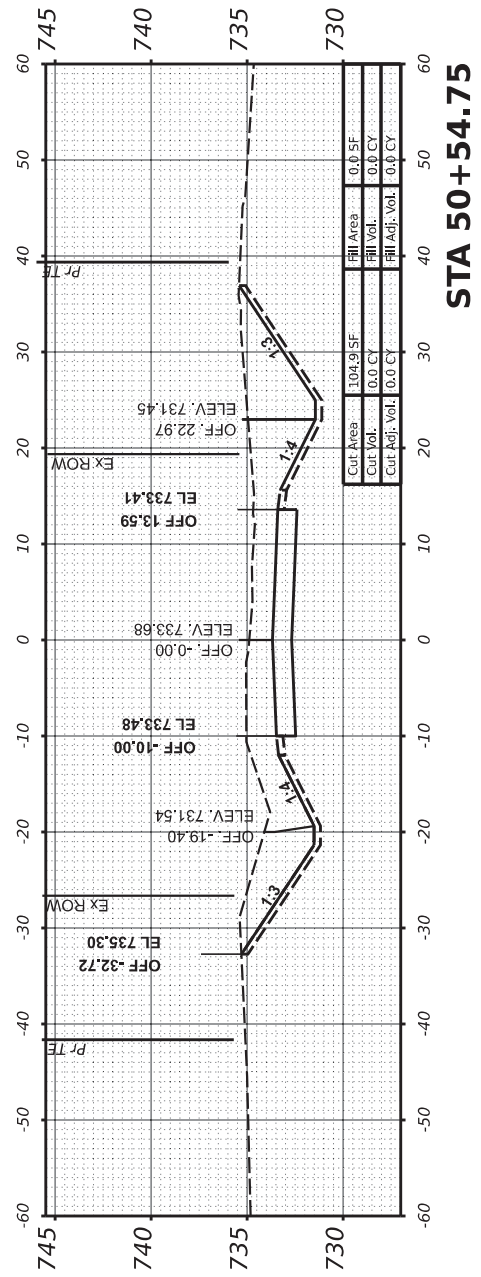
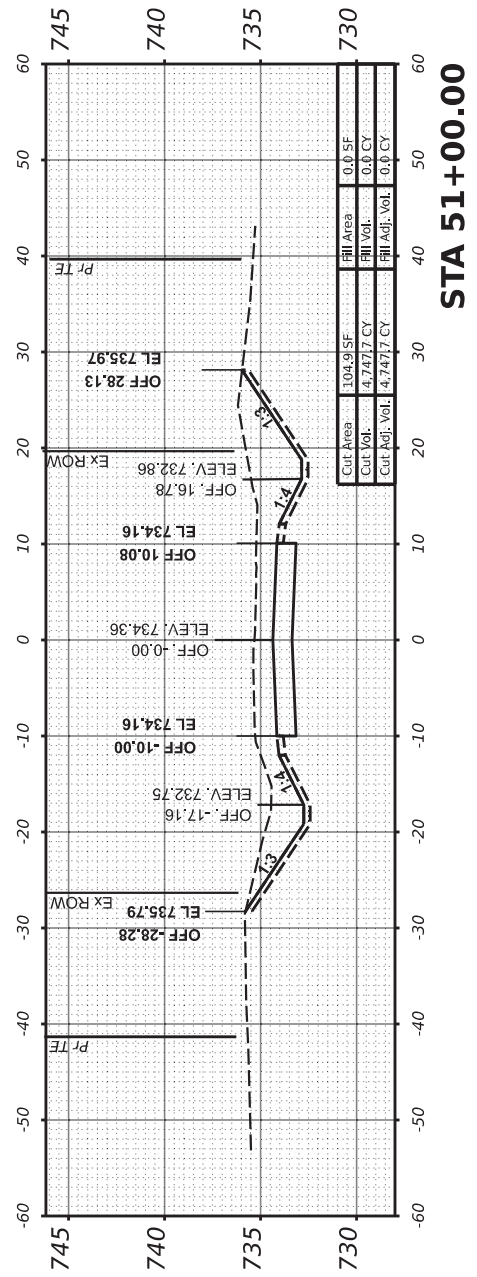
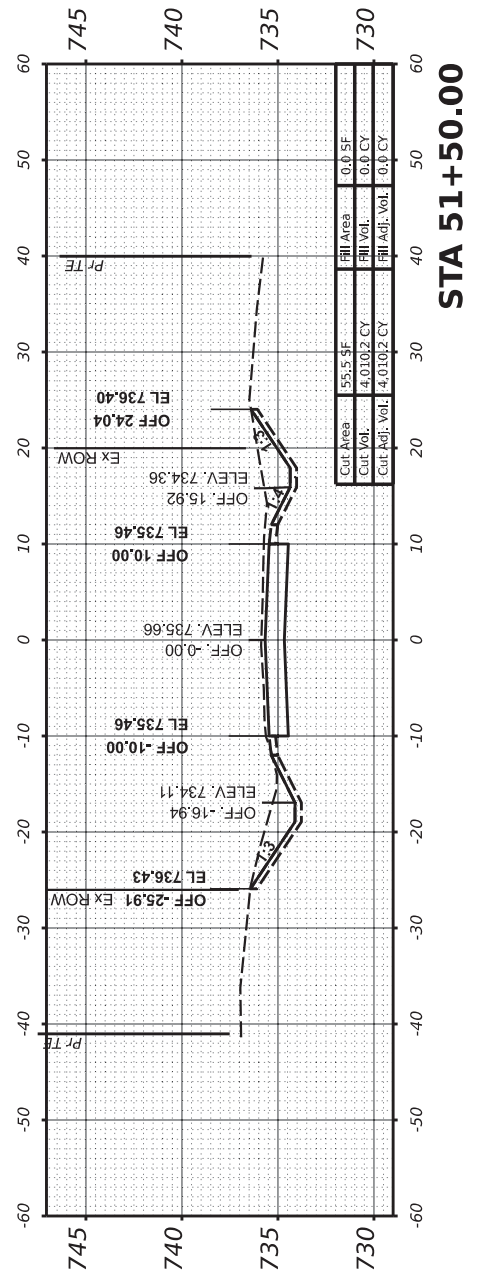
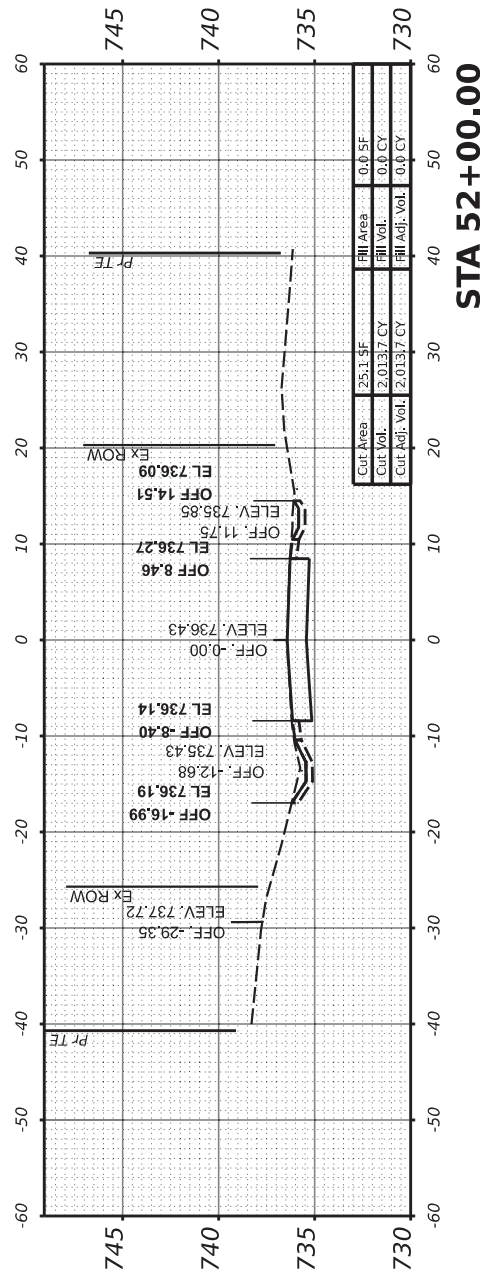
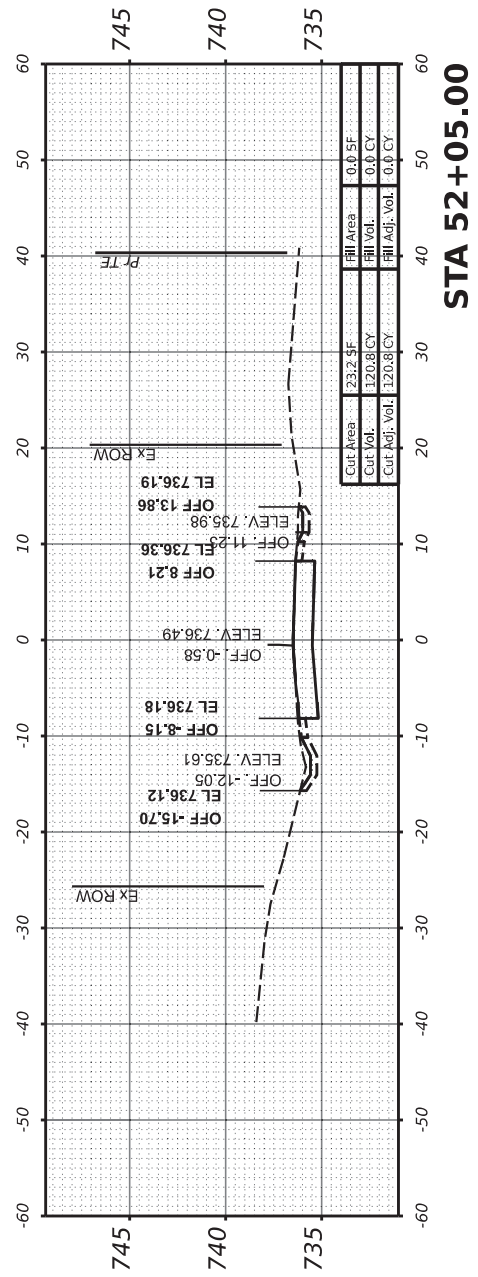
**STATE OF ILLINOIS
 DEPARTMENT OF TRANSPORTATION**

SCALE: 1" = 10' H
 1" = 5' V

**IDEAL ROAD RECONSTRUCTION
 CROSS SECTIONS - N. DAMBMAN ROAD**

SHEET OF 125 SHEETS STA.

F.A.S. RTE.	SECTION	COUNTY	TOTAL SHEETS	SHEET NO.
1084	20-00102-00-PV	CARROLL	217	215
CONTRACT NO. 85761			ILLINOIS FED. AID PROJECT	



FINAL SURVEY NO.	SURVEYED PLOTTED AREAS CHECKED	BY	DATE

ORIGINAL SURVEY NO.	SURVEYED PLOTTED AREAS CHECKED	BY	DATE

MODEL: P:\C\Wagner - 61+50.00 (Sheet)
 FILE NAME: Rcp\County7997 Carroll County - Ideal Road Reconstruction\CADD\CADD_Civil\Sheets\7997-SHT_5\sect-5\Ide Roads.dgn

USER NAME = dwozniarski	DESIGNED -	REVISED -
PLOT SCALE = 0.16666633''/in.	DRAWN -	REVISED -
PLOT DATE = 6/14/2024	CHECKED -	REVISED -
	DATE = 04/17/2024	REVISED -

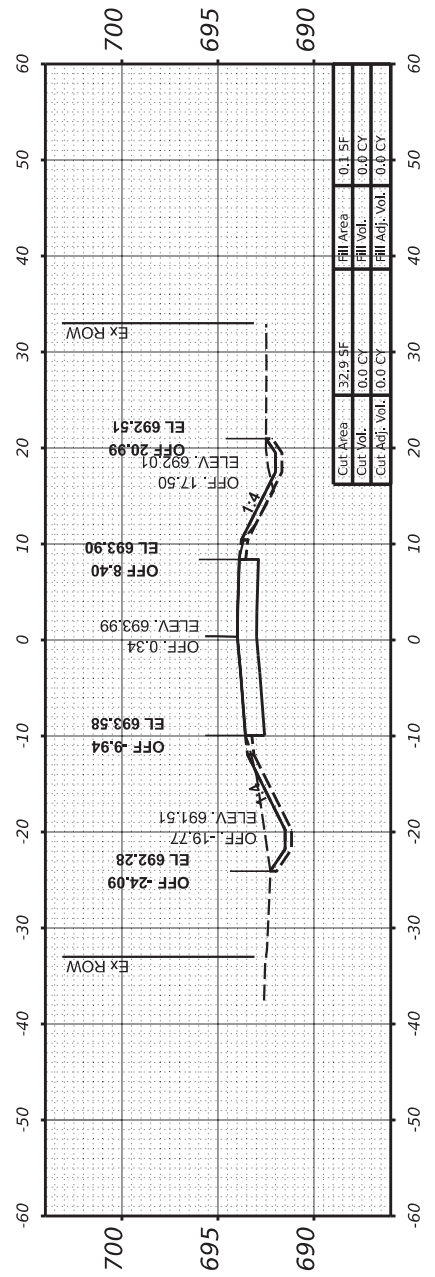
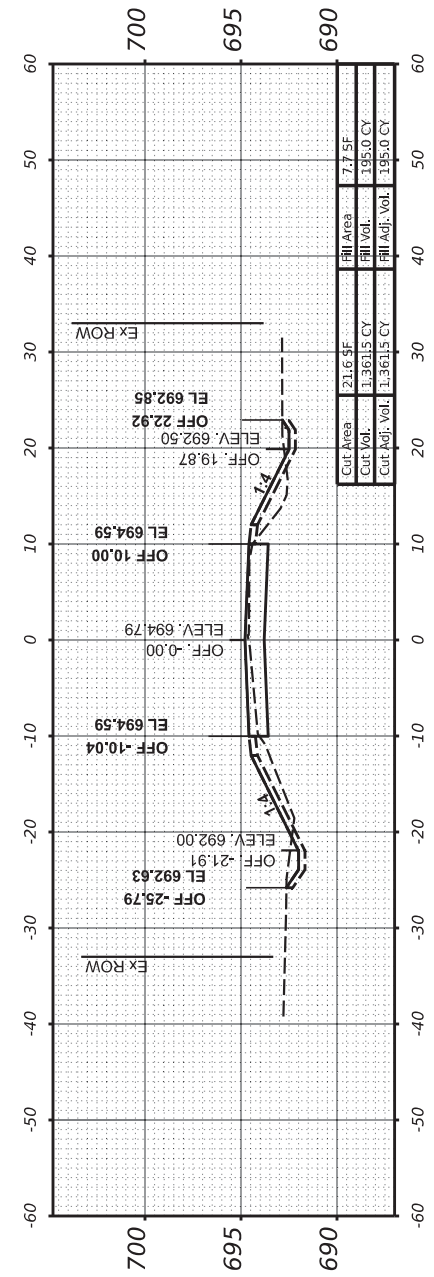
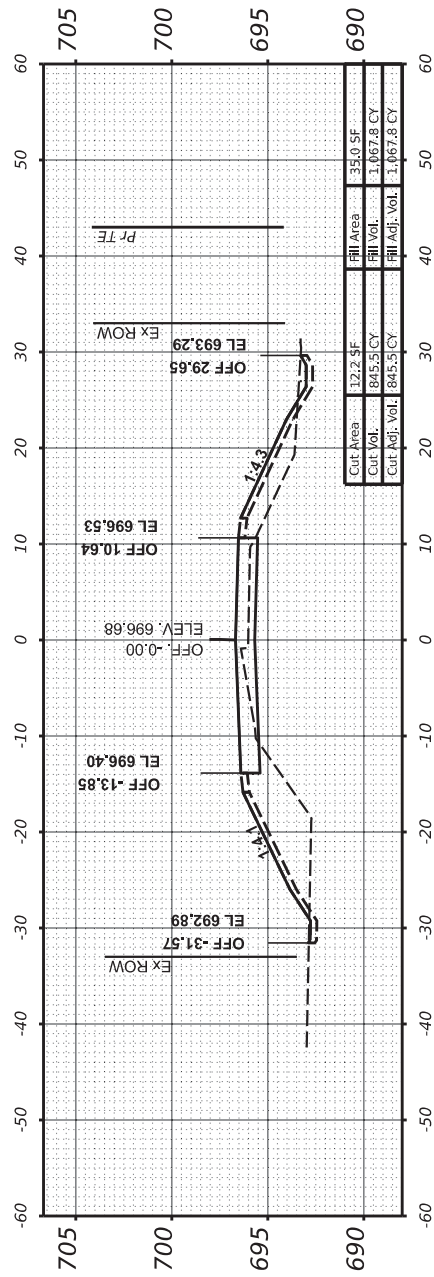
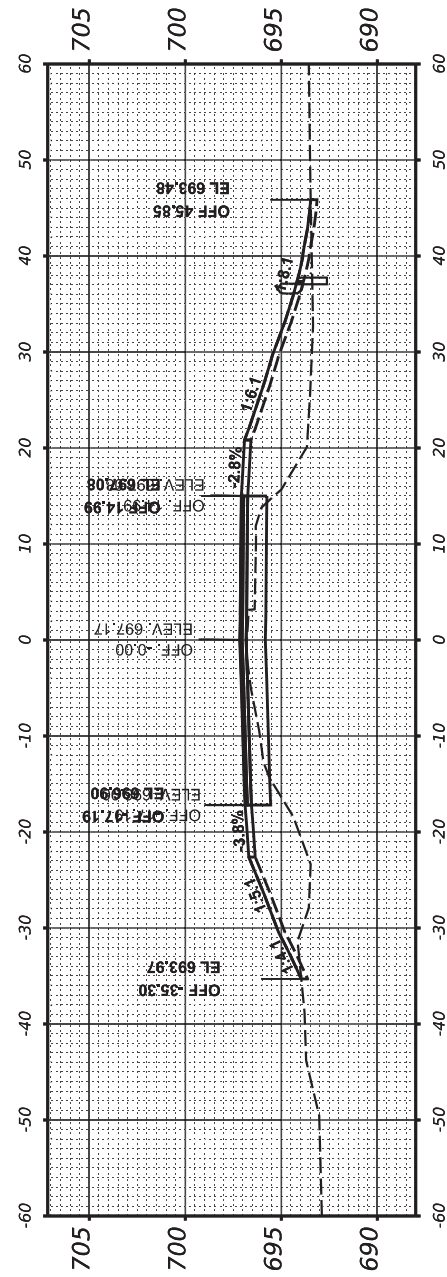
**STATE OF ILLINOIS
 DEPARTMENT OF TRANSPORTATION**

**IDEAL ROAD RECONSTRUCTION
 CROSS SECTIONS - WAGNER ROAD**

SCALE: 1" = 10' H
 1" = 5' V

SHEET OF 125 SHEETS STA.

F.A.S. RTE.	SECTION	COUNTY	TOTAL SHEETS	SHEET NO.
1084	20-00102-00-PV	CARROLL	217	216
CONTRACT NO. 85761			ILLINOIS FED. AID PROJECT	



FINAL SURVEY NO.	SURVEYED PLOTTED AREAS CHECKED	BY	DATE

ORIGINAL SURVEY NO.	SURVEYED PLOTTED AREAS CHECKED	BY	DATE

MODEL: P:\CL\Dutchtown - 70+50.00 [Sheet]
 FILE NAME: R:\PI_County\7597 Carroll County - Ideal Road Reconstruction\CADD\CADD_Civil\Sheets\7597-SHT_75-Select-Site Roads.dgn

USER NAME = dwozmiarsti	DESIGNED -	REVISED -
PLOT SCALE = 0.16666633" / 1'	DRAWN -	REVISED -
PLOT DATE = 6/14/2024	CHECKED -	REVISED -
	DATE = 04/17/2024	REVISED -

**STATE OF ILLINOIS
 DEPARTMENT OF TRANSPORTATION**

SCALE: 1" = 10' H
 1" = 5' V

**IDEAL ROAD RECONSTRUCTION
 CROSS SECTIONS - DUTCHTOWN ROAD**

SHEET OF 125 SHEETS STA.

F.A.S. RTE. 1084	SECTION 20-00102-00-PV	COUNTY CARROLL	TOTAL SHEETS 217	SHEET NO. 217
CONTRACT NO. 85761				
ILLINOIS FED. AID PROJECT				

