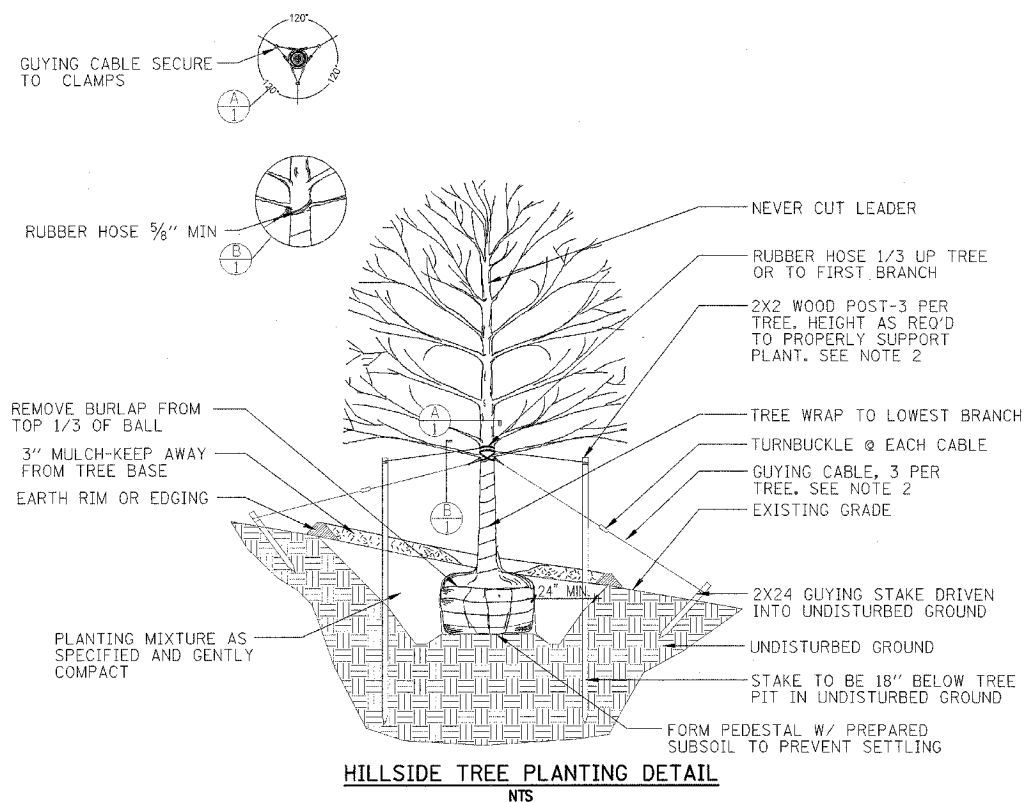
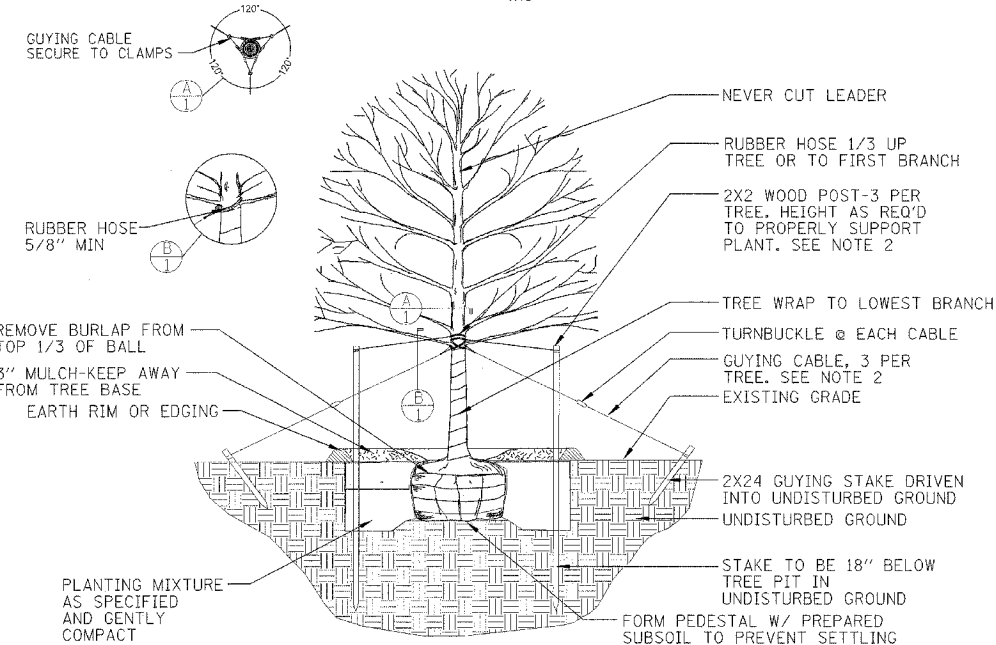


F.A. RTE.	SECTION	COUNTY	TOTAL SHEETS	SHEET NO.
		POPE	60	26
STA.	TO STA.			
FED. ROAD DIST. NO.	ILLINOIS	FED. AID PROJECT		
IDNR PROJECT NO. 05-06-008				



HILLSIDE TREE PLANTING DETAIL

NTS

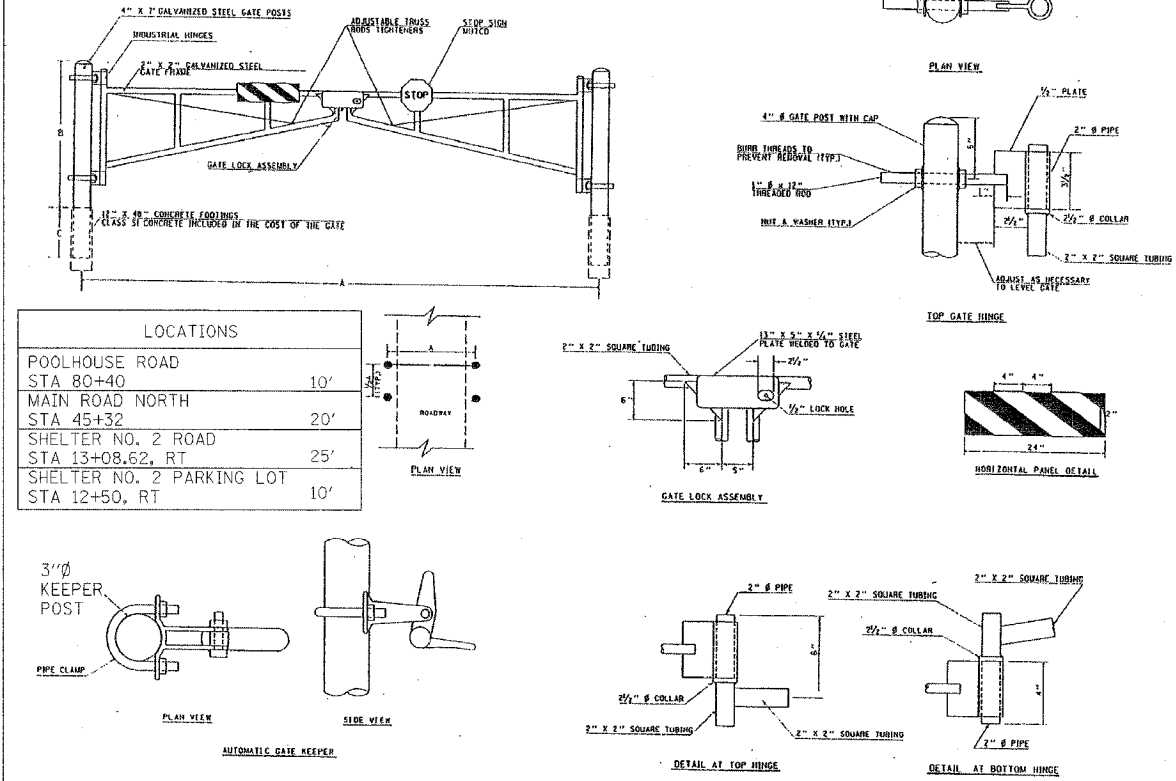


TREE PLANTING DETAIL

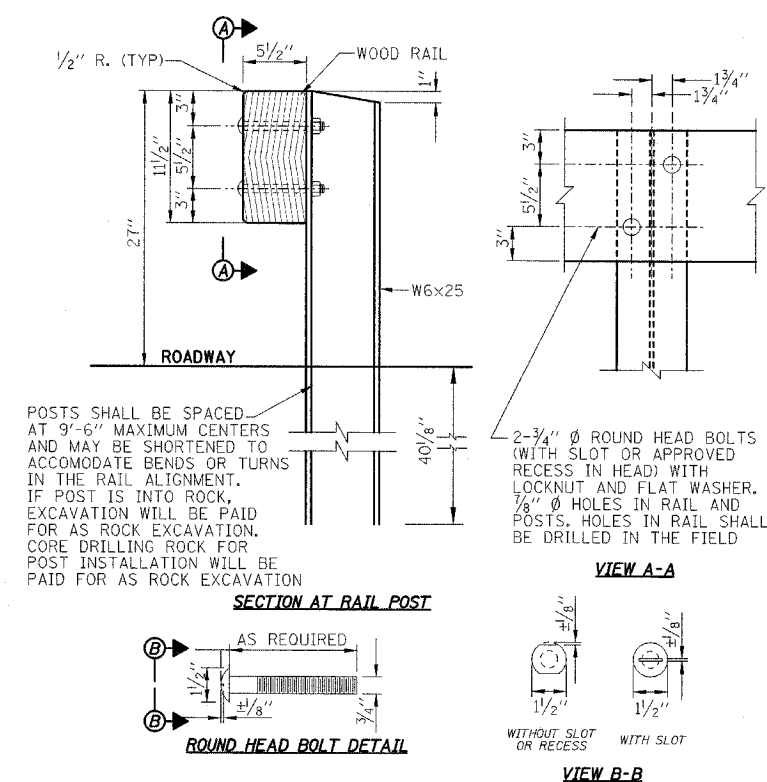
NTS

- NOTES:
- TREE SHALL BE SET 2" HIGHER THAN DEPTH GROWN AT NURSERY.
  - STAKE TREES UNDER 2". GUY TREES 2" AND OVER.
  - PLANT IN ACCORDANCE WITH SECTION 253 OF THE STANDARD SPECIFICATIONS FOR ROAD AND BRIDGE CONSTRUCTION, JANUARY 1, 2007 EDITION.
  - ALL TREES WILL BE PLANTED ON-SITE. IDNR WILL STAKE INDIVIDUAL TREE SPECIES LOCATIONS FOR THE CONTRACTOR WHEN LANDSCAPING WORK IS READY TO BEGIN.
  - BRACING, WRAPPING, MULCH AND ALL DETAILS SHOWN HEREIN SHALL BE INCLUDED IN THE UNIT PRICE BID PER EACH FOR TREES OF THE SIZE AND TYPE NOTED.

GATE DETAILS



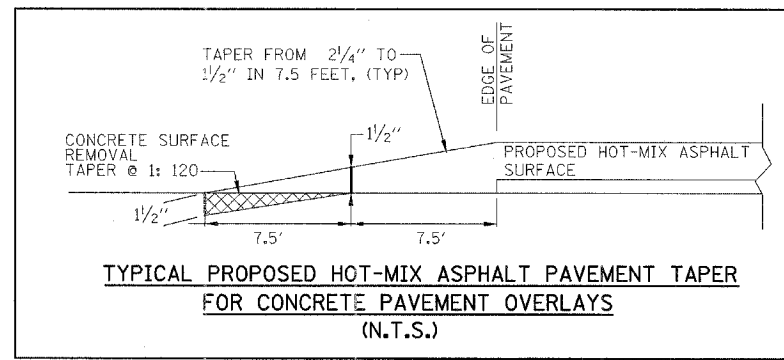
LOCATIONS	
POOLHOUSE ROAD STA 80+40	10'
MAIN ROAD NORTH STA 45+32	20'
SHELTER NO. 2 ROAD STA 13+08.62, RT	25'
SHELTER NO. 2 PARKING LOT STA 12+50, RT	10'



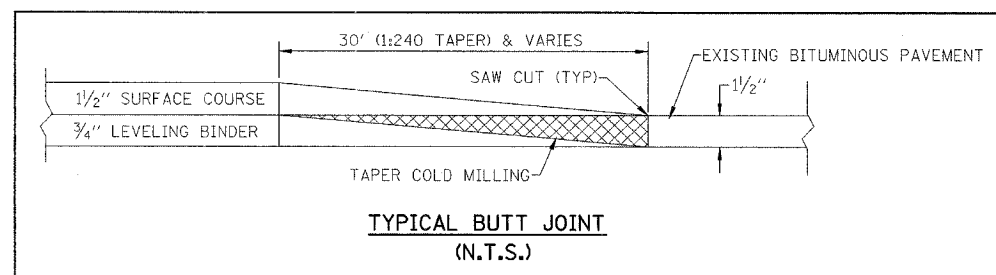
WOOD GUARD RAIL DETAIL

WOOD GUARD RAIL NOTES

- ALL WOOD RAILS SHALL COMPLY WITH ARTICLE 1007.03.
- ALL RAILS SHALL BE ROUGH CUT. DIMENSIONS OF RAILS ARE NET, NOT NOMINAL DIMENSIONS.
- ALL RAILS SHALL BE TREATED IN ACCORDANCE WITH ARTICLE 1007.12.
- ALL RAIL POSTS AND SPLICE PLATES SHALL BE PAINTED AS NOTED IN THE SPECIAL PROVISIONS.
- ALL OTHER STEEL SHAPES AND PLATES SHALL CONFORM TO THE REQUIREMENTS OF AASHTO M-270, GRADE 36 EXCEPT POSTS SHALL CONFORM TO AASHTO M-270, GRADE 50.
- BOLTS, CAP SCREWS AND NUTS SHALL CONFORM TO THE REQUIREMENTS OF ASTM DESIGNATION A-307 EXCEPT THAT TREADED RODS, NUTS AND WASHERS SHALL CONFORM TO AASHTO M-164.
- ALL BOLTS, NUTS, CAP SCREWS, WASHERS AND LOCK WASHERS SHALL BE GALVANIZED IN ACCORDANCE WITH AASHTO M-232.
- ALL POSTS AND RAIL SPLICES SHALL BE PAINTED FLAT BLACK AFTER SHOP FABRICATION IN ACCORDANCE WITH AASHTO M-111 AND ASTM A-385!



TYPICAL PROPOSED HOT-MIX ASPHALT PAVEMENT TAPER FOR CONCRETE PAVEMENT OVERLAYS (N.T.S.)



TYPICAL BUTT JOINT (N.T.S.)

REVISIONS	
NAME	DATE
WOOD GUARD RAIL	5/30/07
NOTES	

ILLINOIS DEPARTMENT OF TRANSPORTATION  
MISCELLANEOUS DETAILS

IDOT / IDNR  
DIXON SPRINGS STATE PARK

SCALE: VERT. HORIZ.  
DATE: 12/08/06

DRAWN BY: DRR  
CHECKED BY: RGD