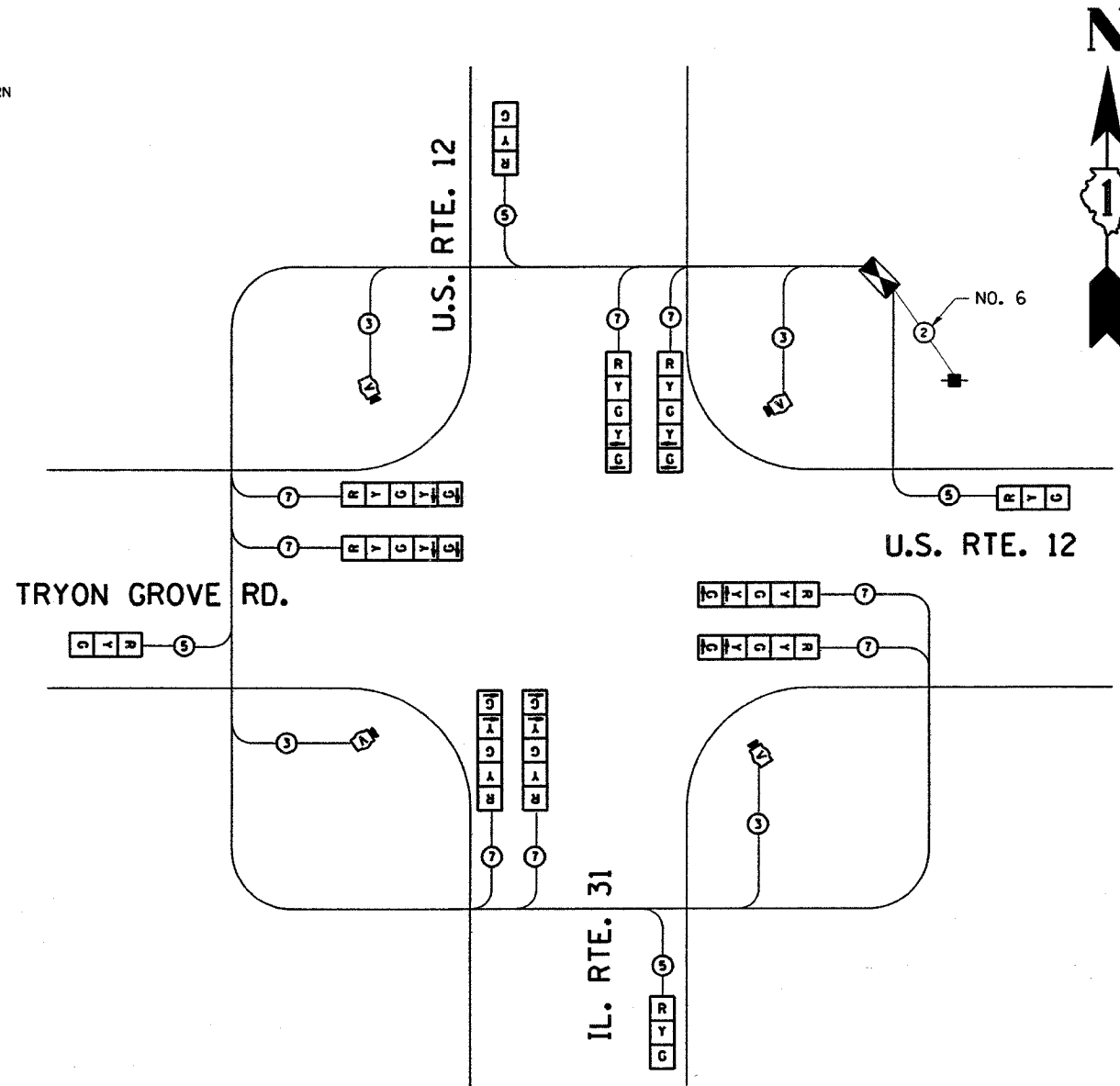
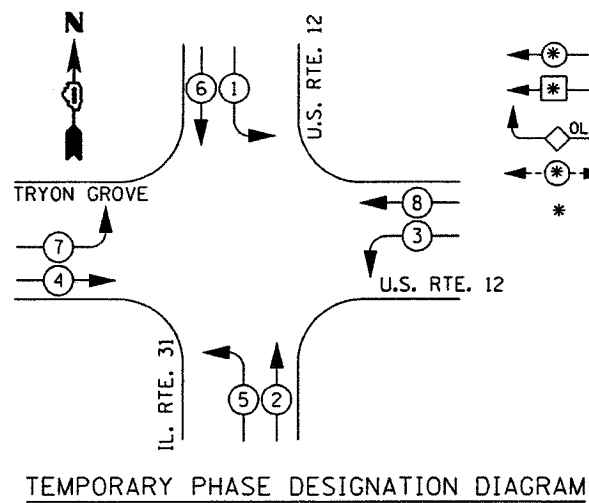


F.A.P. RTE.	SECTION	COUNTY	TOTAL SHEETS	SHEET NO.
334	11RS-5&116 B-1	MCHEMRY	58	52
STA.		TO STA.		
FED. ROAD DIST. NO. 1		ILLINOIS FED. AID PROJECT		
CONTRACT = 60A91				



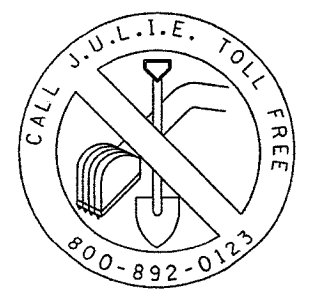
TEMPORARY CABLE PLAN

TEMPORARY SCHEDULE OF QUANTITIES

ITEM	UNIT	QUANTITY
TEMPORARY TRAFFIC SIGNAL INSTALLATION	EACH	1

I.D.O.T. TRAFFIC SIGNAL INSTALLATION ELECTRICAL SERVICE REQUIREMENTS					TOTAL WATTAGE
TYPE	NO. LAMPS	WATTAGE (INCAND.)	WATTAGE LED	% OPERATION	
SIGNAL (RED)	12	135	17	0.50	810.00
(YELLOW)	20	135	25	0.25	675.00
(GREEN)	20	135	15	0.25	675.00
ARROW	16	135	12	0.10	216.00
PED. SIGNAL		90	25	1.00	
CONTROLLER	1	100	100	1.00	100.00
ILLUM. SIGN		84		0.05	
FLASHER				0.50	
ENERGY COSTS TO:				TOTAL =	2476.00

FOUNDATION (DEPTH)	FT. (m)	CABLE SLACK	FT. (m)	VERTICAL	FT. (m)
TYPE A - POST	4 (1.2)	HANDHOLE	6.5 (2.0)	ALL FOUNDATIONS	3.5 (1.0)
D - CONTROLLER	4 (1.2)	DOUBLE HANDHOLE	13 (4.0)	MAST ARM (L) POLE	20'-H.-2" (6m-H.-0.6m)=
E - M. ARM POLE		SIGNAL POST	2 (1.0)	BRACKET MOUNTED	13 (4.0)
24" (600mm)	10 (3.0)	CONTROLLER CAB.	1 (0.5)	PED. PUSHBUTTON	4 (1.2)
30" (750mm)	15 (4.6)	FIBER OPTIC	13 (4.0)	ELECTRIC SERVICE	13.5 (4.1)
36" (900mm)	15 (4.6)	ELECTRIC SERVICE	1 (0.5)	ELECTRIC SERVICE	13.5 (4.1)
		GROUND CABLE	1 (0.5)	SERVICE TO GROUND	13.5 (4.1)
				POST MOUNTED	6 (1.8)



REVISIONS		ILLINOIS DEPARTMENT OF TRANSPORTATION TEMPORARY CABLE PLAN AND PHASE DESIGNATION DIAGRAM U.S. 12 AT IL. RTE. 31 STAGE 2
NAME	DATE	
		SCALE: NTS
		DATE: 5/1/2007
		DRAWN BY: BCK DESIGN BY: BCK CHECKED BY: DAD