

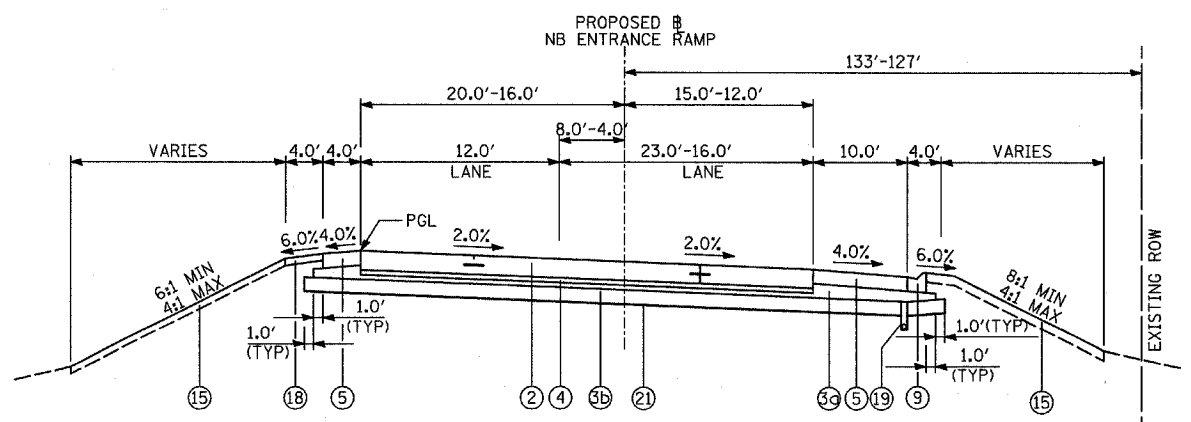
F.A.P. RTE.	SECTION	COUNTY	TOTAL SHEETS	SHEET NO.
335	119R-2	LAKE	439	22
STA. 432+83.12		TO STA. 470+56.84		
FED. ROAD DIST. NO.	ILLINOIS	FED. AID PROJECT		

60B01

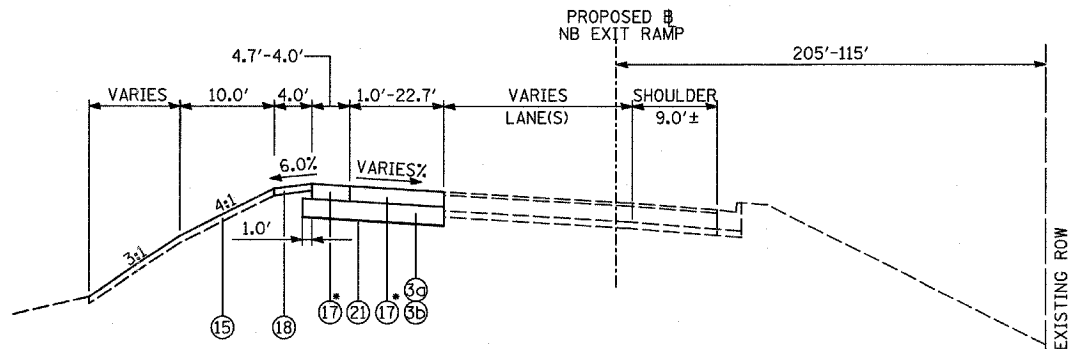
LEGEND:

- ① PORTLAND CEMENT CONCRETE PAVEMENT 10 1/4" (JOINTED)
- ② PORTLAND CEMENT CONCRETE PAVEMENT 10" (JOINTED)
- ③ AGGREGATE SUBGRADE 12"
- ③a 3" CA-6 AGGREGATE CAP (THICKNESS VARIES UNDER SHOULDER) (SEE NOTE 2)
- ③b 9" POROUS GRANULAR EMBANKMENT (SEE NOTE 2)
- ④ STABILIZED SUBBASE - HOT-MIX ASPHALT, 3" (PER ISTHA DESIGN)
- ⑤ HOT-MIX ASPHALT SHOULDERS, 6"
- ⑥ CONCRETE MEDIAN, TYPE SB-6.12
- ⑦ COMBINATION CONCRETE CURB AND GUTTER, TYPE B-6.12
- ⑧ COMBINATION CONCRETE CURB AND GUTTER, TYPE B-6.24
- ⑨ GUTTER, TYPE G-2
- ⑩ CONCRETE MEDIAN SURFACE, 4 INCH
- ⑪ 1 3/4" POLYMERIZED HOT-MIX ASPHALT SURFACE COURSE, MIX "F" N90
- ⑫ 1" LEVELING BINDER, (MACHINE METHOD), N70
- ⑬ PORTLAND CEMENT CONCRETE PAVEMENT 10 1/4" OR MATCH EXISTING
- ⑭ SUB-BASE GRANULAR MATERIAL, TYPE B 4"
- ⑮ TOPSOIL, 4", SEEDING AND EROSION CONTROL BLANKET (SEE LANDSCAPING PLANS)
- ⑯ STEEL PLATE BEAM GUARDRAIL OR TRAFFIC BARRIER TERMINAL, TYPE VARIES
- ⑰ TEMPORARY PAVEMENT
- ⑱ AGGREGATE SHOULDER, TYPE B 4"
- ⑲ PIPE UNDERDRAIN 6"
- ⑳ PORTLAND CEMENT CONCRETE BASE COURSE, 10 1/4"
- ㉑ GEOTECHNICAL FABRIC FOR GROUND STABILIZATION (SHALL NOT CROSS UNDERDRAIN TRENCHES)
- ㉒ TOPSOIL, 4" AND SODDING (SEE LANDSCAPING PLANS)

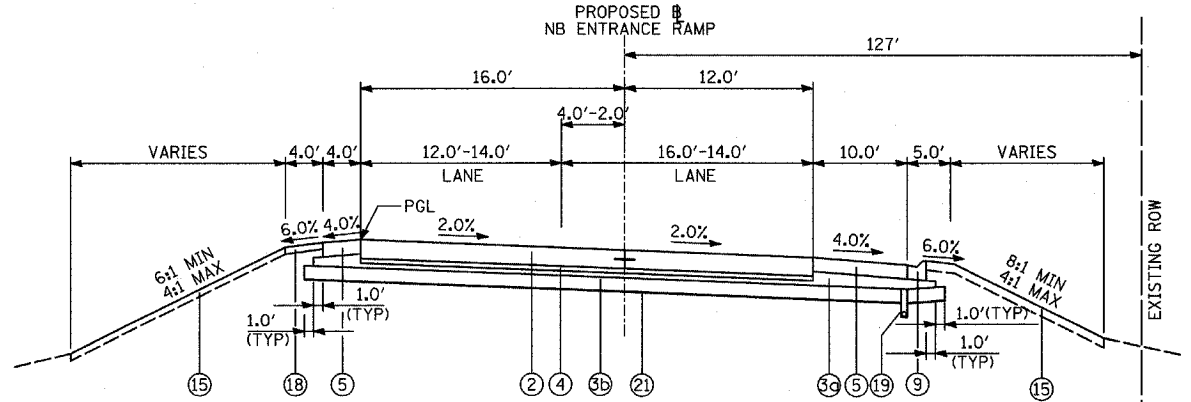
LEGEND APPLIES TO PROPOSED TYPICAL SECTION SHEETS 1-4 OF 5 ONLY.



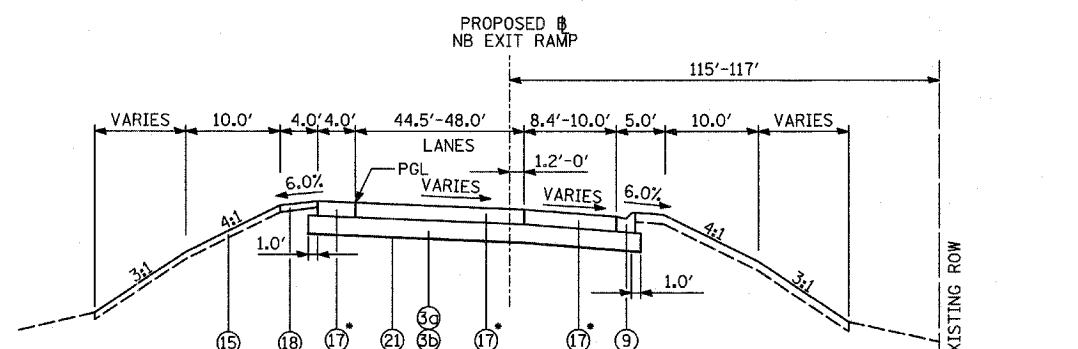
PROPOSED NB ENTRANCE RAMP
IL-60 INTERSECTION (STA. 201+64) TO STA. 202+69



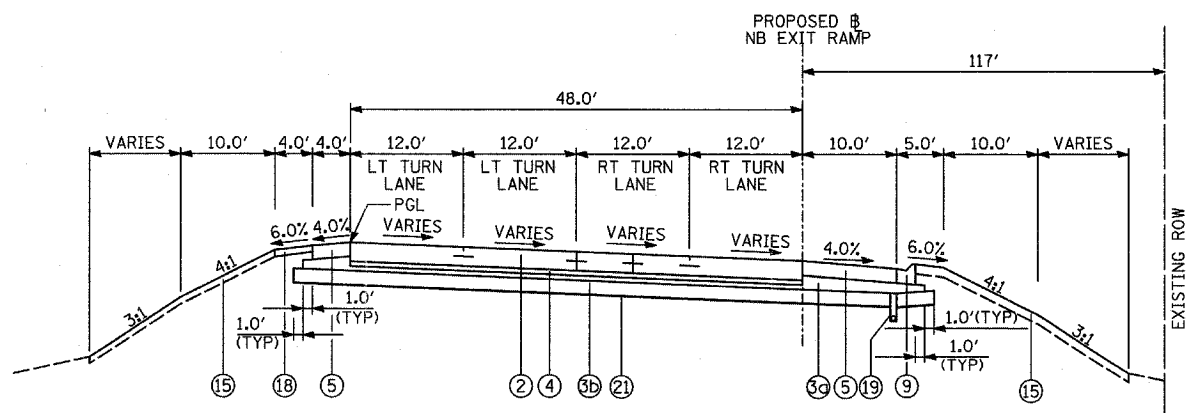
PROPOSED NB EXIT RAMP
SOUTH PROJECT LIMIT (STA. 190+12) TO STA. 193+35



PROPOSED NB ENTRANCE RAMP
STA. 202+69 TO NORTH PROJECT LIMIT (STA. 204+00)



PROPOSED NB EXIT RAMP
STA. 193+35 TO STA. 193+72



PROPOSED NB EXIT RAMP
STA. 193+72 TO IL-60 INTERSECTION (STA. 198+27)

ADDITIONAL UNDERCUT:

"POROUS GRANULAR EMBANKMENT, SUBGRADE" (PGES) IS RECOMMENDED FOR USE UNDER THE PROPOSED PAVEMENT AT LOCATIONS WITH SOILS THAT ARE UNSTABLE OR UNSUITABLE. THE ACTUAL NEED FOR REMOVAL AND REPLACEMENT WITH PGES WILL BE DETERMINED IN THE FIELD AT THE TIME OF CONSTRUCTION BY THE ENGINEER. ALL POTENTIALLY UNSTABLE SOILS SHALL BE TESTED WITH A STATIC CONE PENETROMETER AND TREATED IN ACCORDANCE WITH ARTICLE 301.04 AND THE UNDERCUT GUIDELINES IN THE IDOT SUBGRADE STABILITY MANUAL. IF UNSTABLE AND/OR UNSUITABLE MATERIALS ARE ENCOUNTERED, THE SOIL SHALL BE REMOVED AND REPLACED WITH PGES AS DETERMINED BY THE ENGINEER. IF UNSTABLE AND/OR UNSUITABLE MATERIAL IS NOT ENCOUNTERED, THEN THE QUANTITY SHALL BE DEDUCTED AND NO ADDITIONAL COMPENSATION WILL BE DUE THE CONTRACTOR.

(SEE SCHEDULE OF QUANTITIES - EARTHWORK FOR LOCATIONS)

NOTES:

1. REFER TO PAVEMENT JOINTING AND ELEVATION PLANS FOR THE DESCRIPTIONS AND DETAILS OF PAVEMENT JOINTS.
2. 3" CA-6 AGGREGATE CAP AND 9" POROUS GRANULAR EMBANKMENT TOGETHER ARE PAID FOR AS AGGREGATE SUBGRADE 12". THE ADDITIONAL THICKNESS OF THE CAPPING LAYER SHALL BE INCLUDED IN THE COST OF AGGREGATE SUBGRADE 12".

TYLIN INTERNATIONAL

REVISIONS	
NAME	DATE

ILLINOIS DEPARTMENT OF TRANSPORTATION
ILLINOIS RTE 60 OVER I-94

PROPOSED TYPICAL SECTIONS
NB I-94 ENTRANCE/EXIT RAMPS
(SHEET 3 OF 5)

SCALE: NONE
DATE: MAY 8, 2007
DRAWN BY: CBS
CHECKED BY: MPG

06/13/2007 01:37:11 PM