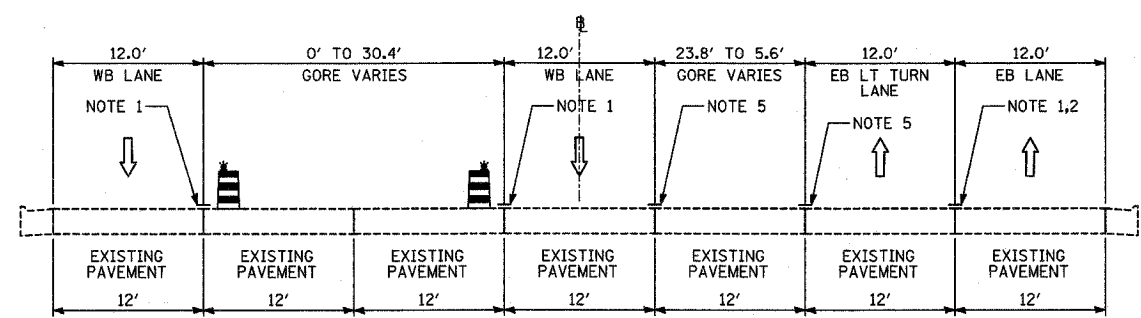
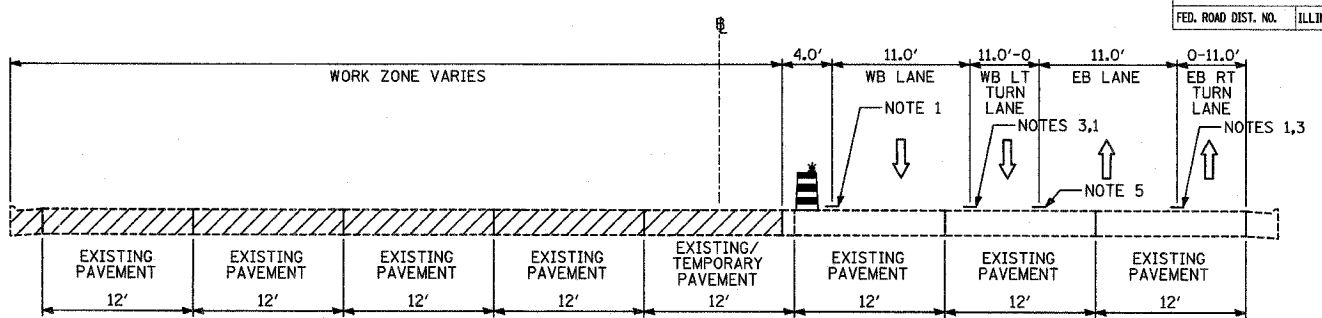


F.A.P. RTE.	SECTION	COUNTY	TOTAL SHEETS	SHEET NO.
335	119R-2	LAKE	439	78
STA. 432+83.12		TO STA. 470+56.84		
FED. ROAD DIST. NO.	ILLINOIS FED. AID PROJECT			

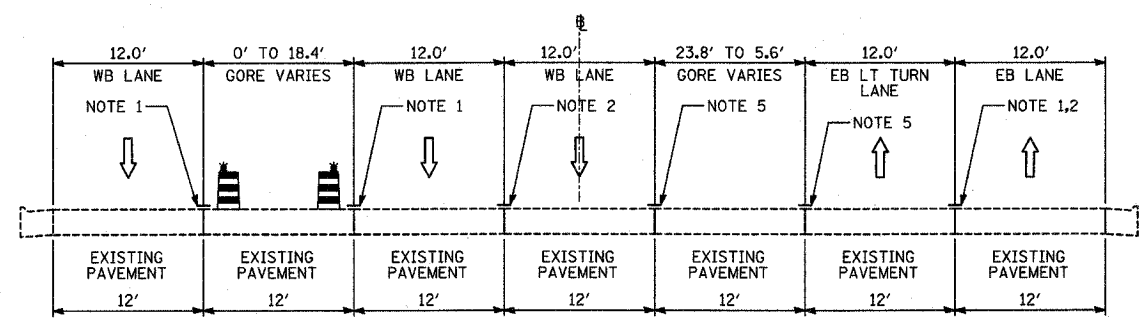
60B01



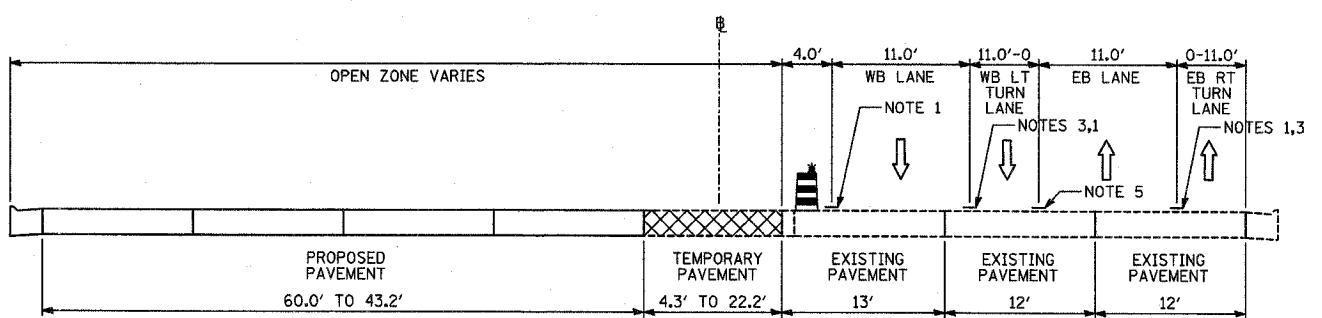
A-A
STAGES 1 & 1A: IL-60; STA. 428+45 TO STA. 433+00



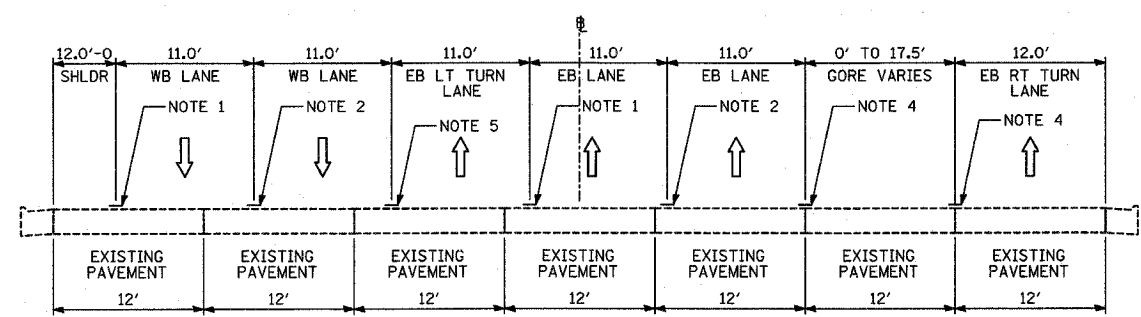
E-E
STAGE 1: IL-60; STA. 434+93 TO STA. 439+20



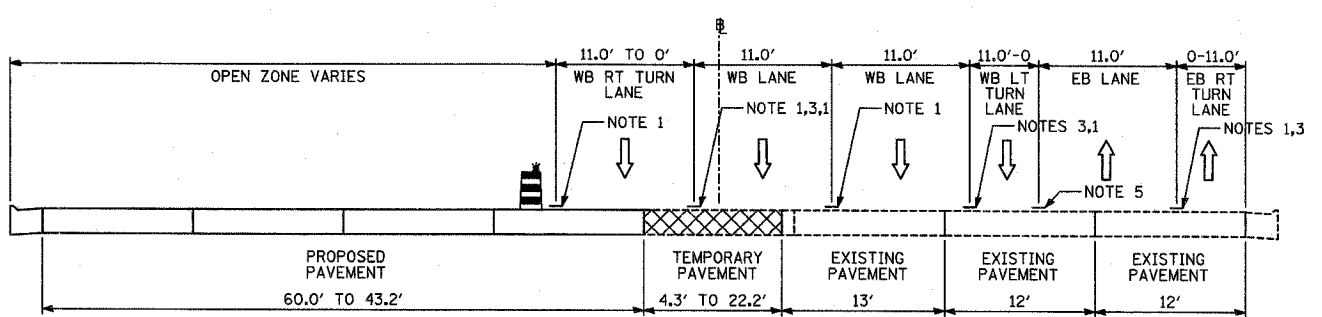
B-B
STAGE 2: IL-60; STA. 428+45 TO STA. 433+00



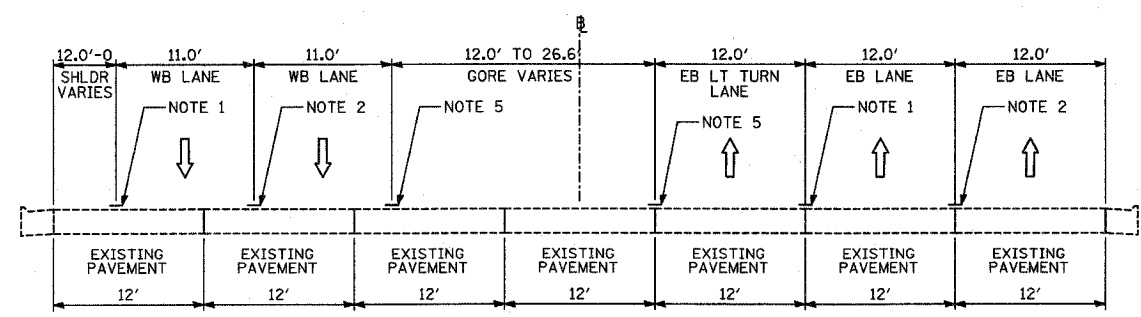
F-F
STAGE 1A: IL-60; STA. 434+93 TO STA. 439+20



C-C
STAGES 3, 3A, & 4: IL-60; STA. 428+45 TO STA. 433+00



G-G
STAGE 2: IL-60; STA. 434+93 TO STA. 439+20



D-D
STAGE 5: IL-60; STA. 428+45 TO STA. 433+00

- NOTES:**
- TEMPORARY PAVEMENT MARKING-LINE 4" (SOLID WHITE)
 - TEMPORARY PAVEMENT MARKING-LINE 4" (10'-30' SKIP-DASH WHITE)
 - TEMPORARY PAVEMENT MARKING-LINE 4" (2'-6' SKIP-DASH WHITE)
 - TEMPORARY PAVEMENT MARKING-LINE 8" (SOLID WHITE)
 - TEMPORARY PAVEMENT MARKING-LINE 4" (SOLID DOUBLE YELLOW)
 - EXISTING PAVEMENT MARKING, (SOLID WHITE)
 - EXISTING PAVEMENT MARKING, (SKIP-DASH WHITE)
 - EXISTING PAVEMENT MARKING, (SOLID DOUBLE YELLOW)
 - TEMPORARY PAVEMENT MARKING-LINE 4" (SOLID YELLOW)
 - EXISTING PAVEMENT MARKING, (SOLID YELLOW)
- LEGEND:**
- TEMPORARY CONCRETE BARRIER (WITH REFLECTORS ON TOP AND SIDE FACING TRAFFIC)
 - TRAFFIC MOVEMENT
 - DRUM WITH MONO-DIRECTIONAL STEADY BURNING LIGHT
 - EXISTING BRIDGE PARAPET (WITH REFLECTORS ON TOP AND SIDE FACING TRAFFIC)
 - PAVEMENT REMOVAL AREA
 - TEMPORARY PAVEMENT

REVISIONS	
NAME	DATE

ILLINOIS DEPARTMENT OF TRANSPORTATION
ILLINOIS RTE 60 OVER I-94
MAINTENANCE OF TRAFFIC
TYPICAL SECTIONS AND DETAILS
SHEET 1 OF 7
SCALE: NO SCALE
DATE: MAY 8, 2007
DRAWN BY: RTM
CHECKED BY: MPG

TYLIN INTERNATIONAL

05/08/2007 10:24:23 AM