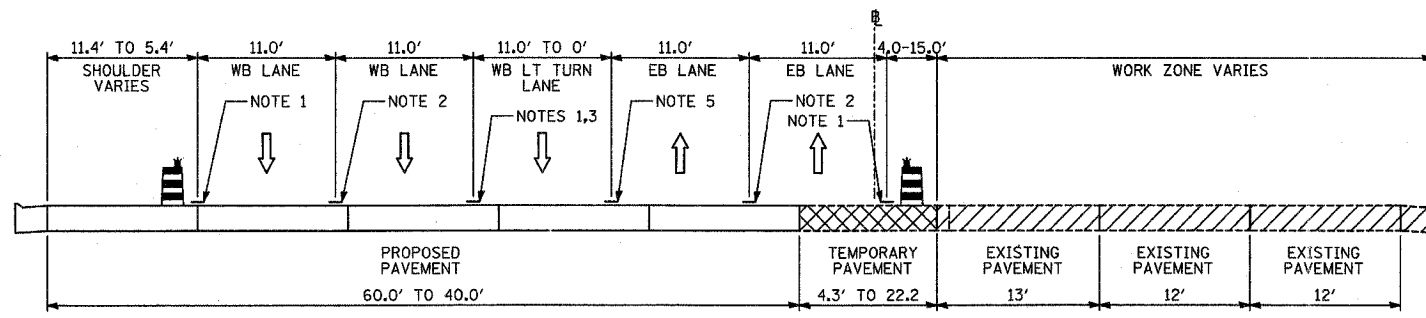
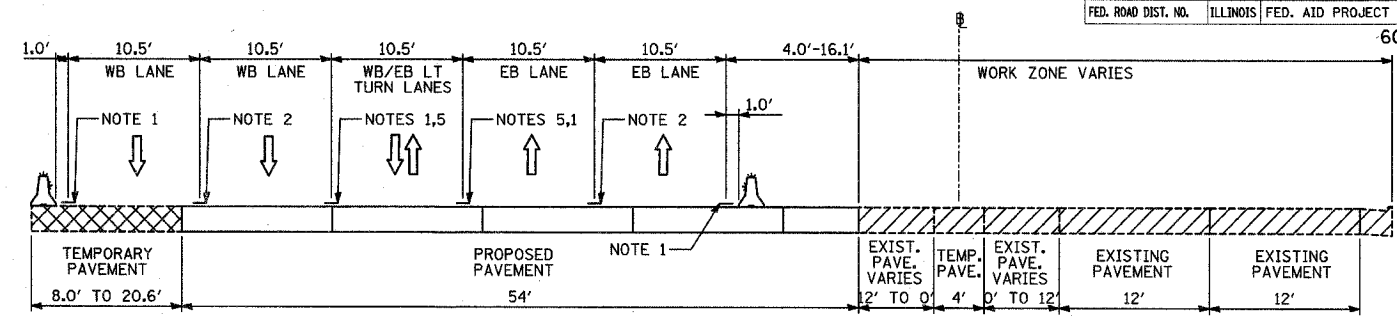


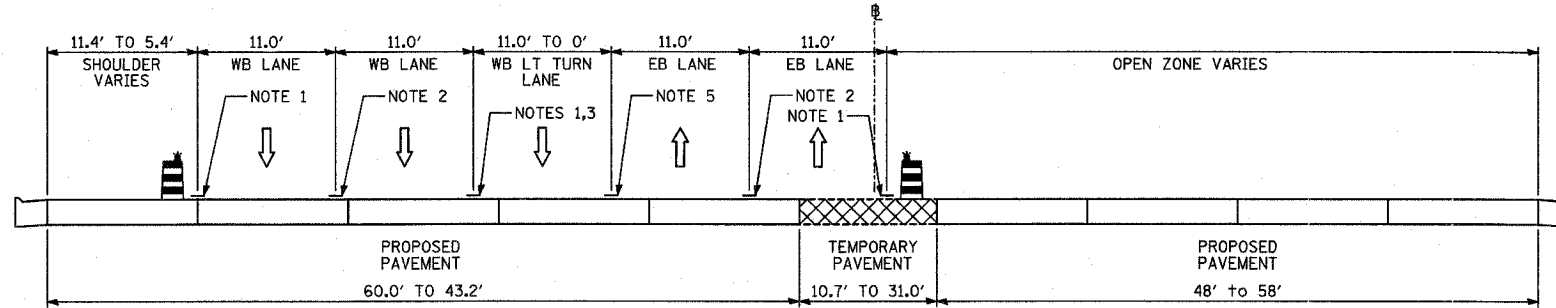
F.A.P. RTE.	SECTION	COUNTY	TOTAL SHEETS	SHEET NO.
335	119R-2	LAKE	439	79
STA. 432+83.12		TO STA. 470+56.84		
FED. ROAD DIST. NO.	ILLINOIS	FED. AID PROJECT		



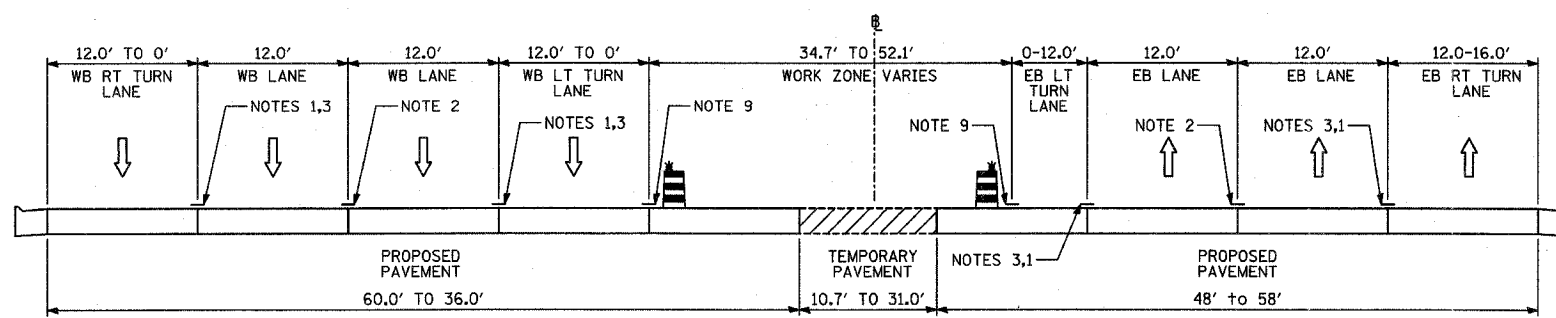
H-H
STAGE 3: IL-60; STA. 434+93 TO STA. 439+48



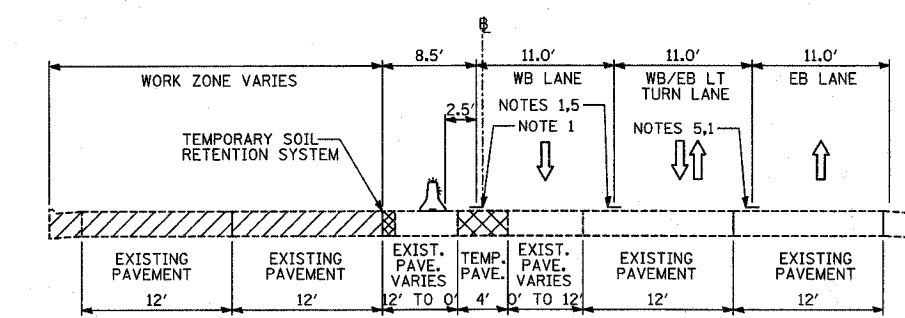
L-L
STAGE 3: IL-60; STA. 441+54 TO STA. 449+30
(BRIDGE OMISSION STA. 444+06 TO 447+02)



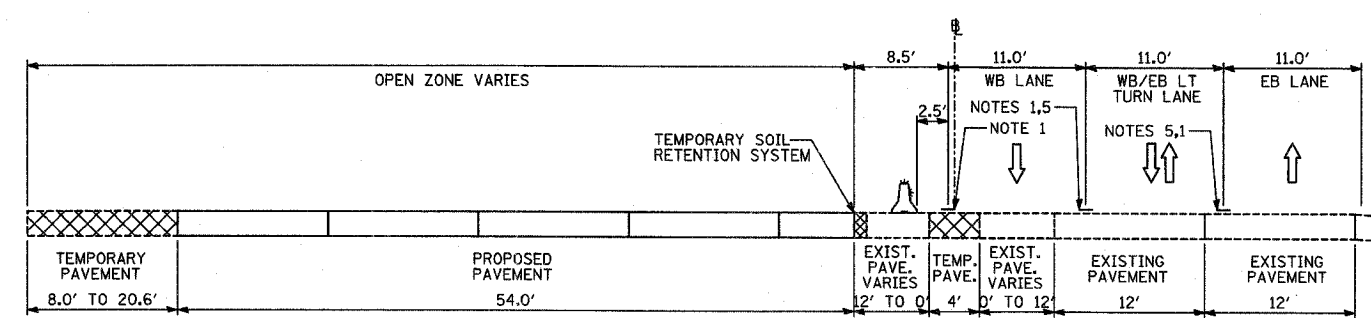
I-I
STAGES 3A & 4: IL-60; STA. 434+93 TO STA. 439+48



J-J
STAGE 5: IL-60; STA. 434+93 TO STA. 440+66



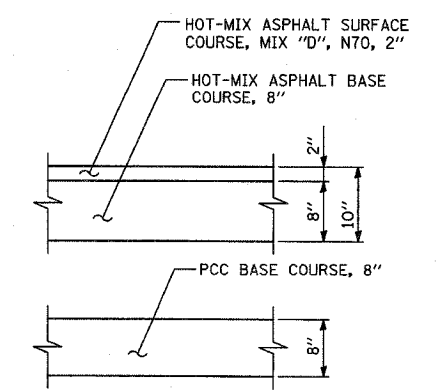
K-K
STAGE 1: IL-60; STA. 441+54 TO STA. 449+30
(BRIDGE OMISSION STA. 444+06 TO 447+02)



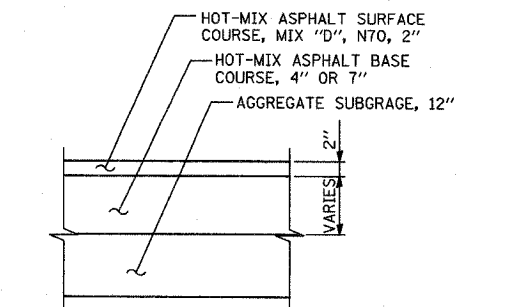
X-X
STAGES 1A & 2: IL-60; STA. 441+54 TO STA. 449+30
(BRIDGE OMISSION STA. 444+06 TO 447+02)

- NOTES:**
- 1 - TEMPORARY PAVEMENT MARKING-LINE 4" (SOLID WHITE)
 - 2 - TEMPORARY PAVEMENT MARKING-LINE 4" (10'-30' SKIP-DASH WHITE)
 - 3 - TEMPORARY PAVEMENT MARKING-LINE 8" (SOLID WHITE)
 - 4 - TEMPORARY PAVEMENT MARKING-LINE 4" (2'-6' SKIP-DASH WHITE)
 - 5 - TEMPORARY PAVEMENT MARKING-LINE 4" (SOLID DOUBLE YELLOW)
 - 6 - EXISTING PAVEMENT MARKING, (SOLID WHITE)
 - 7 - EXISTING PAVEMENT MARKING, (SKIP-DASH WHITE)
 - 8 - EXISTING PAVEMENT MARKING, (SOLID DOUBLE YELLOW)
 - 9 - TEMPORARY PAVEMENT MARKING-LINE 4" (SOLID YELLOW)
 - 10 - EXISTING PAVEMENT MARKING, (SOLID YELLOW)

- LEGEND:**
- TEMPORARY CONCRETE BARRIER (WITH REFLECTORS ON TOP AND SIDE FACING TRAFFIC)
 - TRAFFIC MOVEMENT
 - DRUM WITH MONO-DIRECTIONAL STEADY BURNING LIGHT
 - EXISTING BRIDGE PARAPET (WITH REFLECTORS ON TOP AND SIDE FACING TRAFFIC)
 - PAVEMENT REMOVAL AREA
 - TEMPORARY PAVEMENT



TEMPORARY PAVEMENT DETAILS:
IDOT JURISDICTION
(CONTRACTOR HAS THE OPTION OF USING HMA OR PCC SECTION FOR TEMPORARY PAVEMENT)



- 7" BASE COURSE OPTION:
USED FOR TEMPORARY PAVEMENT REMAINING IN PLACE LONGER THAN 6 MONTHS.
- SOUTH END OF NB I-94 EXIT RAMP
- 4" BASE COURSE OPTION:
USED FOR TEMPORARY PAVEMENT REMAINING IN PLACE LESS THAN 6 MONTHS.
- SOUTH END OF SB I-94 ENTRANCE RAMP
- ALL LOCATIONS OF TEMPORARY PAVEMENT FOR TRAFFIC STAGING ALONG RAMPS.

TEMPORARY PAVEMENT DETAILS:
ISTHA JURISDICTION

TYLIN INTERNATIONAL

REVISIONS	
NAME	DATE

ILLINOIS DEPARTMENT OF TRANSPORTATION
ILLINOIS RTE 60 OVER I-94

**MAINTENANCE OF TRAFFIC
TYPICAL SECTIONS AND DETAILS
SHEET 2 OF 7**

SCALE: NO SCALE
DATE: MAY 8, 2007

DRAWN BY: RTM
CHECKED BY: MPG

05/02/2007 10:24:25 AM