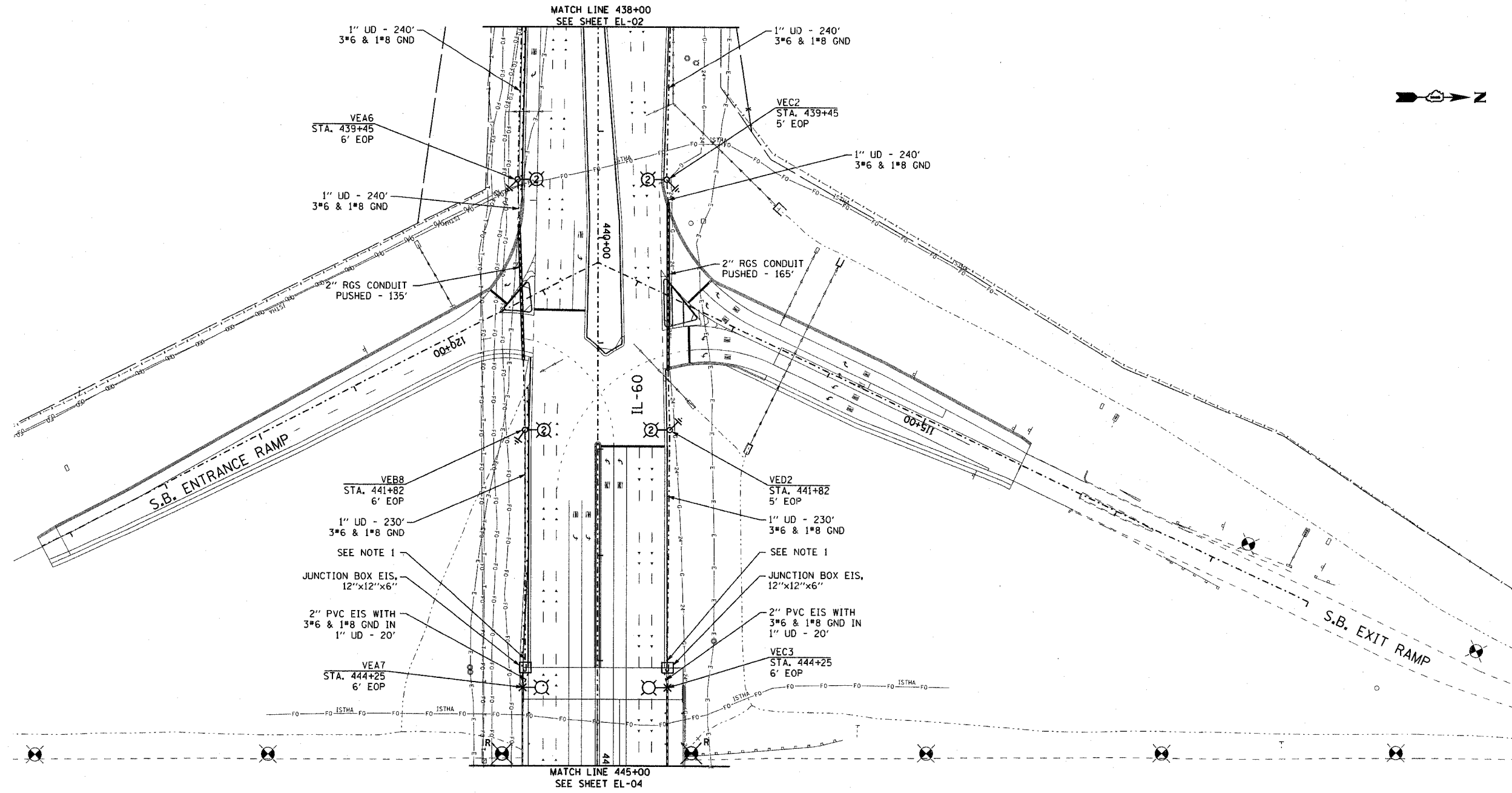


F.A.P. RTE.	SECTION	COUNTY	TOTAL SHEETS	SHEET NO.
335	119R-2	LAKE	439	237
STA.	438+00	TO STA.	445+00	
FED. ROAD DIST. NO.	ILLINOIS		FED. AID PROJECT	

60B01



NOTES:

1. SEE STRUCTURAL DRAWINGS FOR ALL CONDUIT EMBEDDED IN BRIDGE STRUCTURE.
2. FOR TEMPORARY RAMP LIGHTING, SEE SHEET EL-08. FOR PERMANENT RAMP LIGHTING, REFER TO ISTHA CONTRACT 1-07-5221 LIGHTING PLANS. CALL MANAR NASHIF AT 630-241-6800 IF NECESSARY.

EJM ENGINEERING, INC.
 411 South Wells Street Suite 800
 Chicago, Illinois 60607

REVISIONS	
NAME	DATE

ILLINOIS DEPARTMENT OF TRANSPORTATION
 ILLINOIS RTE 60 OVER I-94
 PROPOSED ROADWAY LIGHTING PLAN
 STA. 438+00 TO STA. 445+00

S.N. _____ DESIGNED BY: JDM
 SCALE: 1"=50'-0" DRAWN BY: JDM
 DATE: MAY 8, 2007 CHECKED BY: RES

SHEET EL-03 OF 13