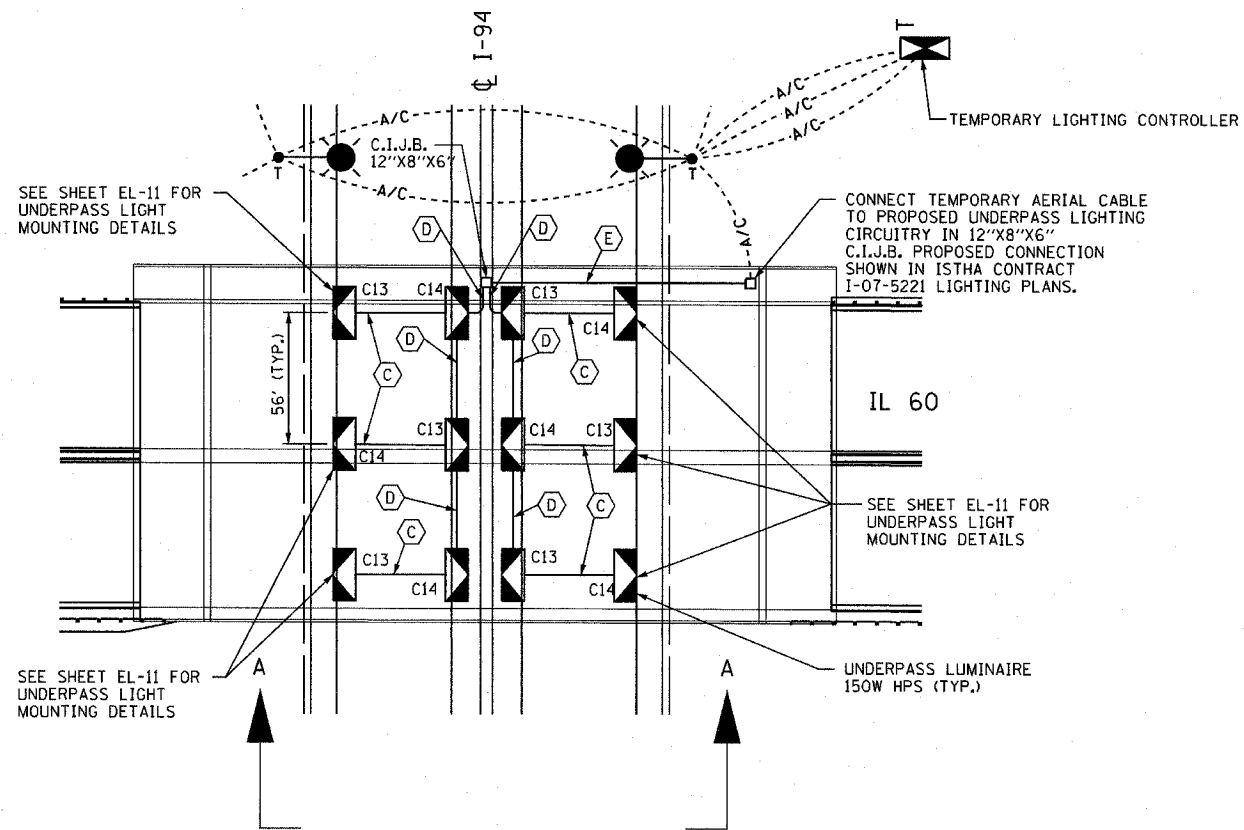
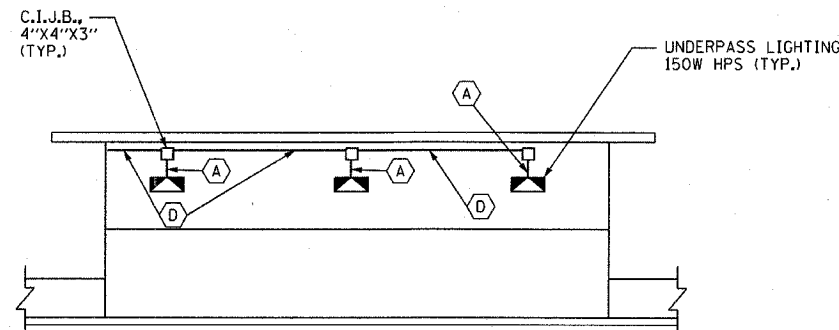


F.A.P. RTE.	SECTION	COUNTY	TOTAL SHEETS	SHEET NO.
335	I19R-2	LAKE	439	244
STA. -----		TO STA. -----		
FED. ROAD DIST. NO. .		ILLINOIS FED. AID PROJECT		

60B01



PLAN  
NOT TO SCALE



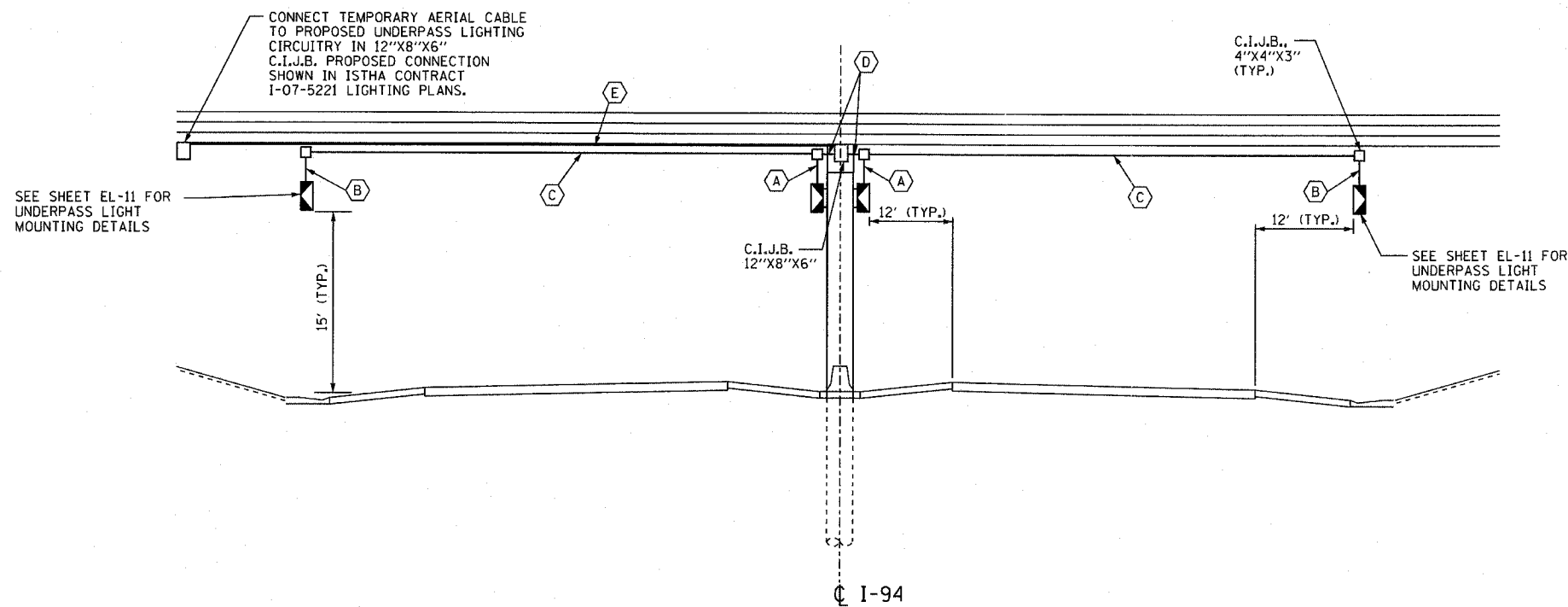
ELEVATION OF PIER  
NOT TO SCALE

CABLE GROUPING LEGEND

- (A) 3/4" PVC COATED RGS CONDUIT, 2 #10 AND 1 #10 GROUND (ALL 600V TYPE XHHW) ATTACHED TO STRUCTURE
- (B) 3/4" LIQUIDTIGHT FLEXIBLE METALLIC CONDUIT, 2 #10 AND 1 #10 GROUND (ALL 600V TYPE XHHW)
- (C) 1" PVC COATED RGS CONDUIT, 2 #10 AND 1 #10 GROUND (ALL 600V TYPE XHHW) ATTACHED TO STRUCTURE
- (D) 1" PVC COATED RGS CONDUIT, 4 #10 AND 1 #10 GROUND (ALL 600V TYPE XHHW) ATTACHED TO STRUCTURE
- (E) 1 1/2" PVC COATED RGS CONDUIT, 4 #6 AND 1 #8 GROUND (ALL 600V TYPE XHHW) ATTACHED TO STRUCTURE

NOTES:

- PVC COATED CONDUIT CLAMP AND CLAMP BACK ON 5'-0" CENTERS. (TYPICAL) ATTACH WITH EXPANSION ANCHORS (MIN. 2" LONG) EXPANSION ANCHORS SHALL BE HOT DIPPED GALVANIZED AS MADE BY PARABOLT KWIK-BOLT, WEJ-IT OR APPROVED EQUAL.
- EXPANSION FITTINGS AT WALL JOINTS SHALL BE O.Z. GEDNEY TYPE DX EXPANSION-DEFLECTION FITTINGS OR APPROVED EQUAL ALLOWING A MOVEMENT OF 3/4" IN ALL DIRECTIONS AND A DEFLECTION OF 30° FROM NORMAL IN ALL DIRECTIONS.
- LUMINAIRES SHALL BE SURFACE MOUNTED TO WALL WITH UNISTRUT P5500 STAINLESS STEEL CHANNELS (12 GAUGE) OR APPROVED EQUAL TO PROVIDE A MINIMUM CLEARANCE OF 2" BETWEEN THE BACK OF LUMINAIRE AND THE FACE OF THE WALL.
- ALIGN CENTERLINE OF 56' LUMINAIRE SPACING AT CENTERLINE OF ILLINOIS 60 OVERPASS.



SECTION A-A  
LOOKING NORTH  
NOT TO SCALE

**EJM ENGINEERING, INC.**  
411 South Wells Street Suite 800  
Chicago, Illinois 60607

REVISIONS	
NAME	DATE

ILLINOIS DEPARTMENT OF TRANSPORTATION  
ILLINOIS RTE 60 OVER I-94

UNDERPASS LIGHTING PLAN

S.N. \_\_\_\_\_ DESIGNED BY: JDM  
SCALE: NONE DRAWN BY: JDM  
DATE: MAY 8, 2007 CHECKED BY: RES

SHEET EL-10 OF 13