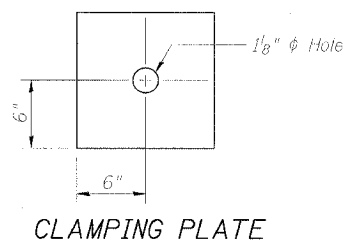
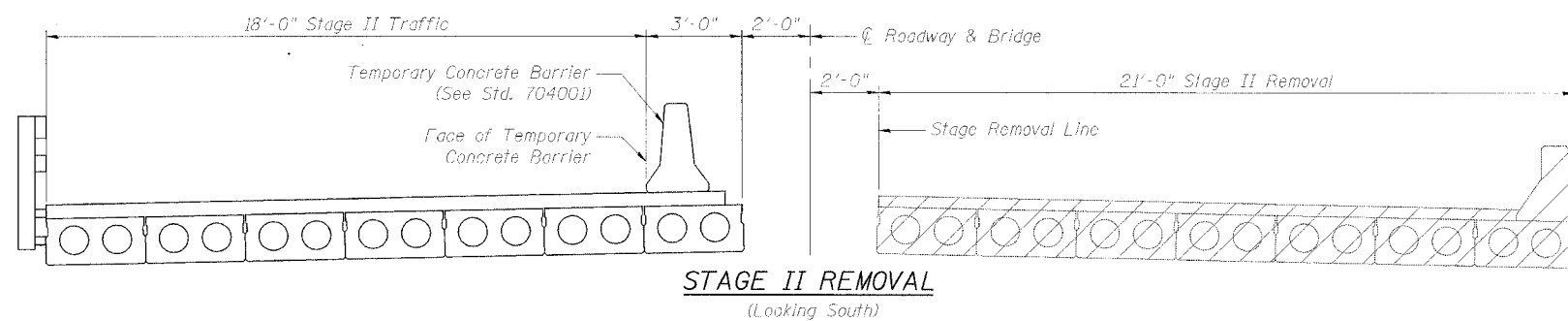
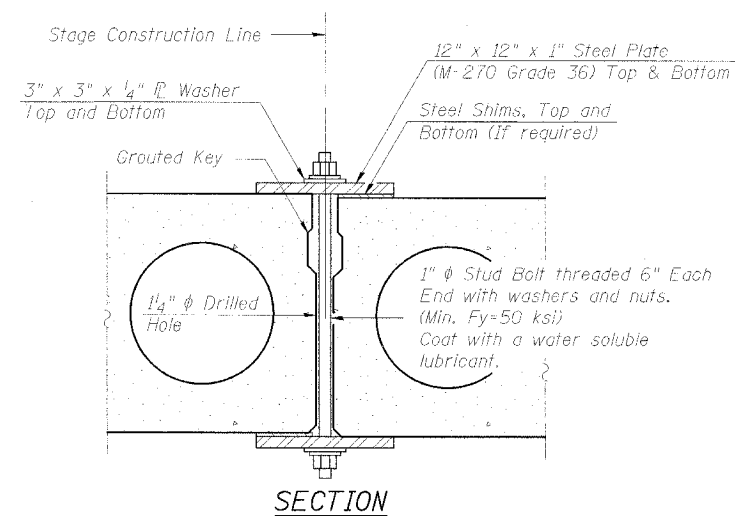
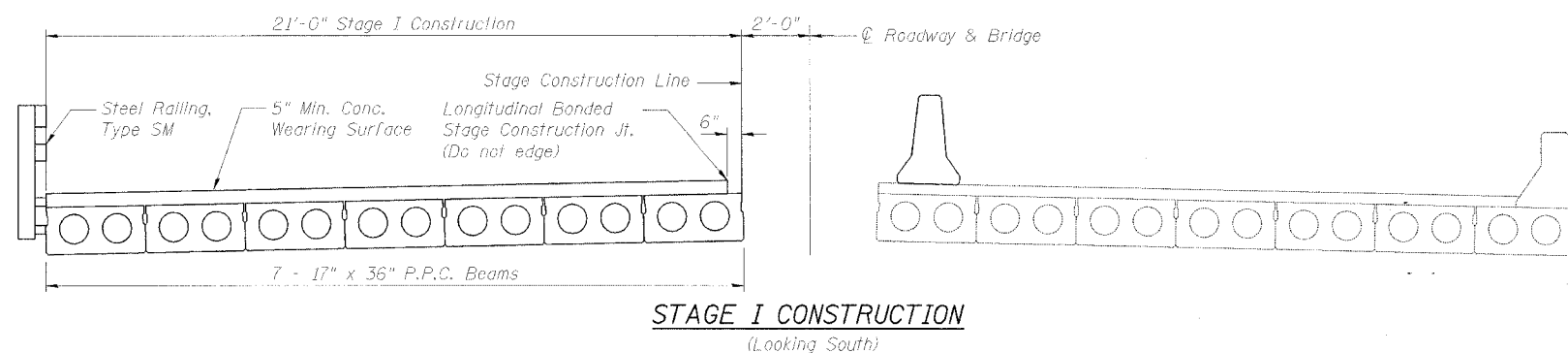
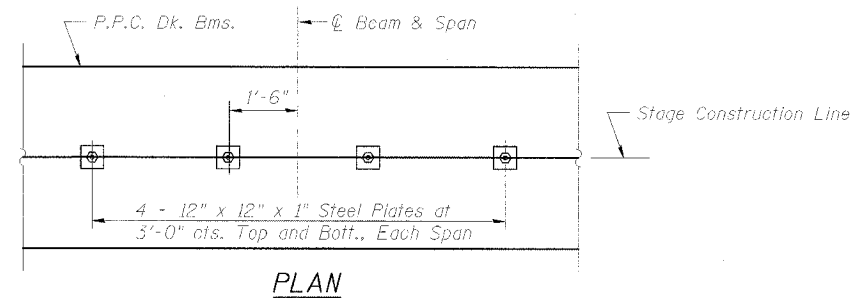
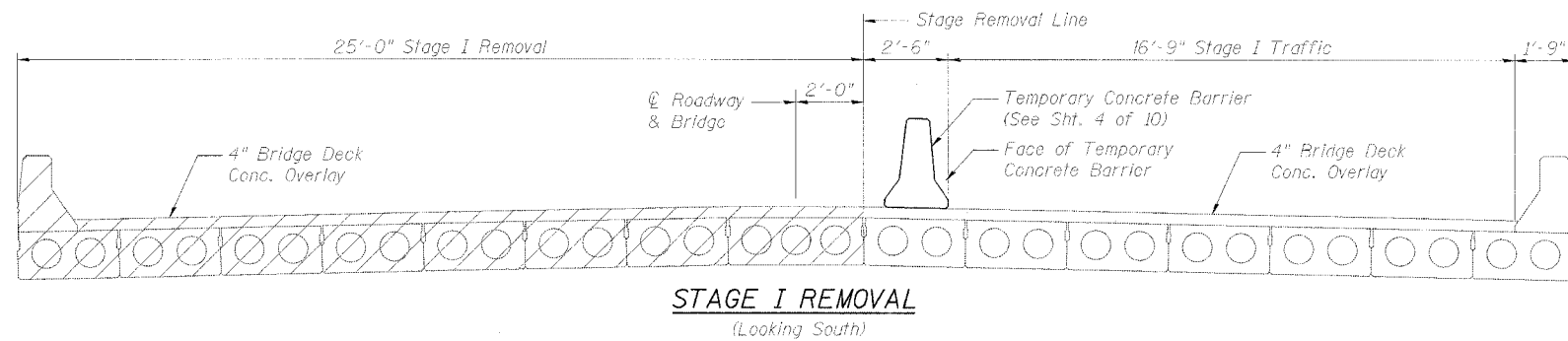


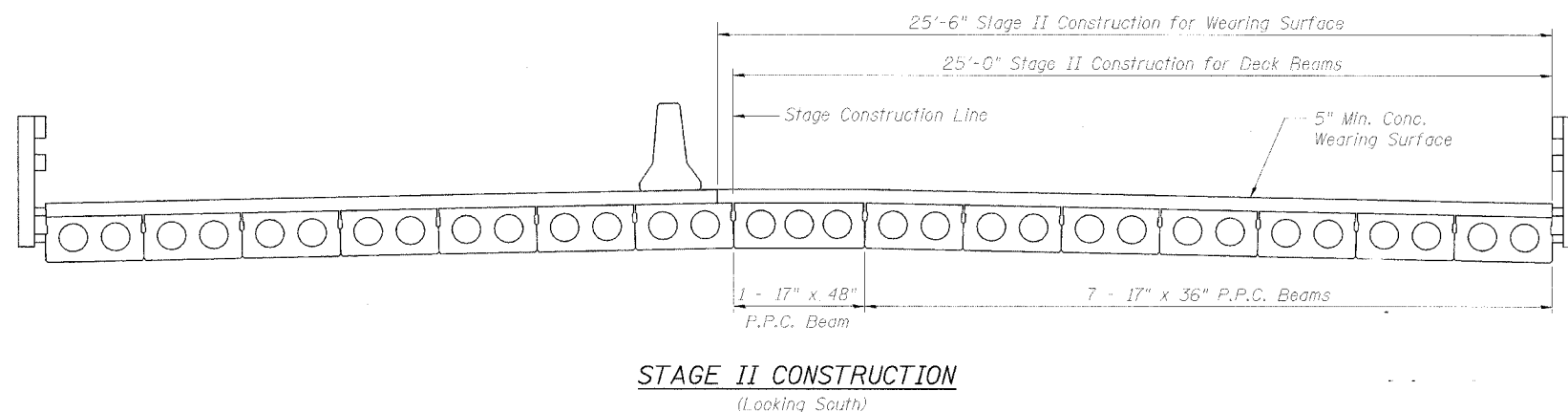
STATE OF ILLINOIS  
DEPARTMENT OF TRANSPORTATION

ROUTE NO.	SECTION	COUNTY	SHEET	NO.	SHEET NO. 3
SA 13	-	Kane	27	9	10 SHEETS
FED. ROAD DIST. NO. 7	ILLINOIS	FED. AID PROJECT	Contract # 60RB1		



**SHEAR KEY CLAMPING DETAILS AT STAGE CONST. JT.**

1. See Standard Specifications for Stage Construction of Precast Prestressed Concrete Deck Beams.
2. Cost included with "Precast Prestressed Concrete Deck Beams".
3. See Stage Construction Details on Roadway Plans for traffic lanes.



**STAGE CONSTRUCTION**  
S.A. 13 (IL RTE. 25)  
OVER NORTON CREEK  
S.A. RTE. 13 (F.A.S. 106)  
KANE COUNTY, STA. 61+92.50  
STRUCTURE NO. 045-0045

DESIGNED DDB	200
CHECKED LLV	EXAMINED
DRAWN MGM	ENGINEER OF BRIDGE DESIGN
CHECKED DDB	PASSED
	ENGINEER OF BRIDGES AND STRUCTURES

**STS CONSULTANTS**  
111 NE Jefferson Ave.  
Peoria, Illinois 61602  
Ph(309)676-8464  
FAX(309)676-5445  
IL Design Firm Reg No. 184-001518